



Architects, p.a.

ADW Architects, p.a.
 1401 West Morehead Street, Suite 100
 Charlotte, NC 28205
 704.379.1919 Fax 704.379.1920
 www.adwarchitects.com

Ballantyne Commons
 Storage Facility

dmi

CHARLOTTE, NC

FOR PRICING
 ONLY

FIRST FLOOR
 SLAB PLAN

DATE: 05/09/07 JOB NO: 07031

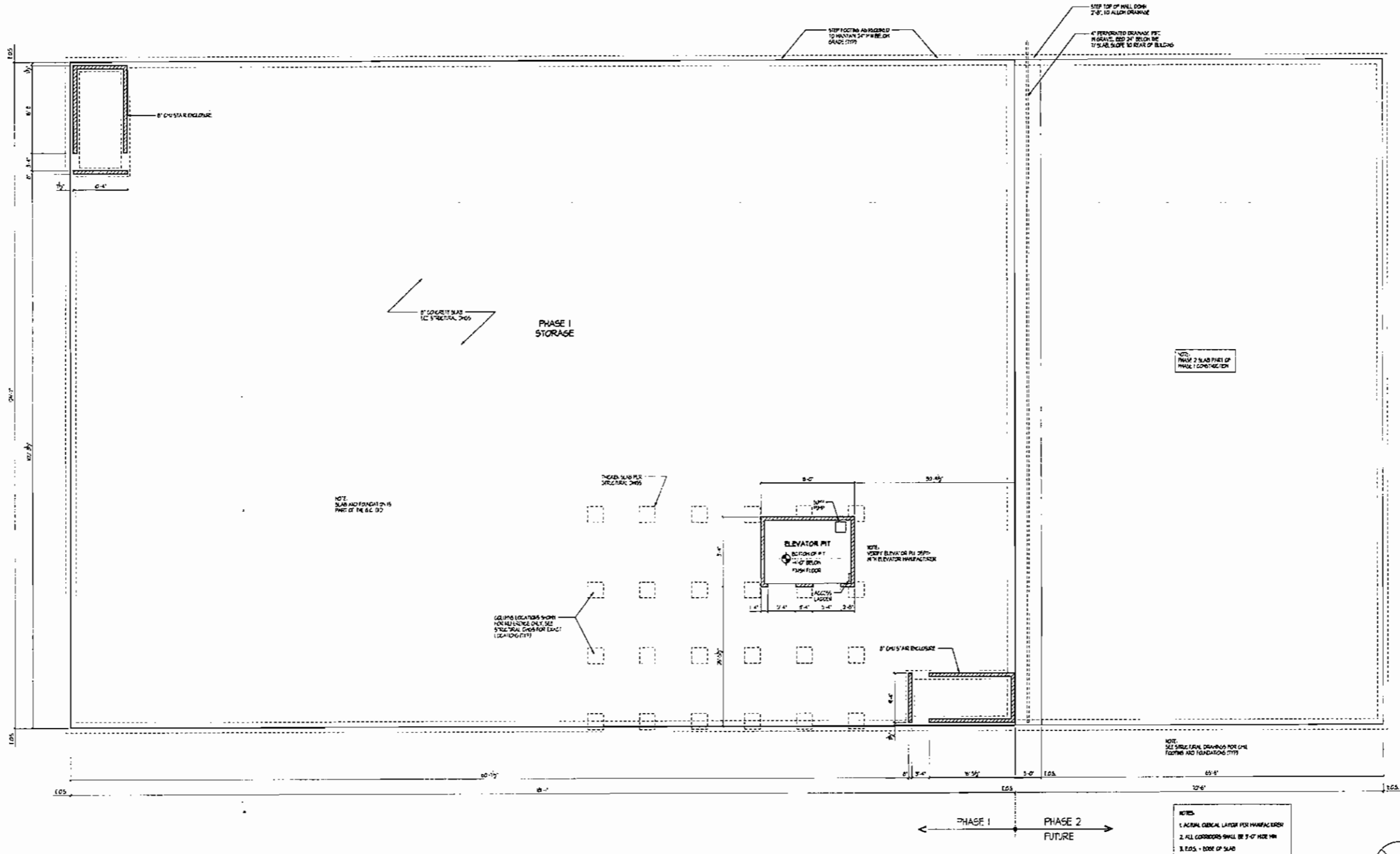
REVISIONS:

NO	DATE	DESCRIPTION

SHEET NUMBER

A100

of Total



FIRST FLOOR SLAB PLAN

SCALE: 1/8" = 1'-0" 01



Architects, p.a.

ADW Architects, p.a.
1401 West Morehead Street, Suite 100
Charlotte, NC 28208
704.379.1919 Fax 704.379.1920
www.adwarchitects.com

Ballantyne Commons
Storage Facility

dmi

CHARLOTTE, NC

FOR PRICING
ONLY

FIRST FLOOR
PLAN

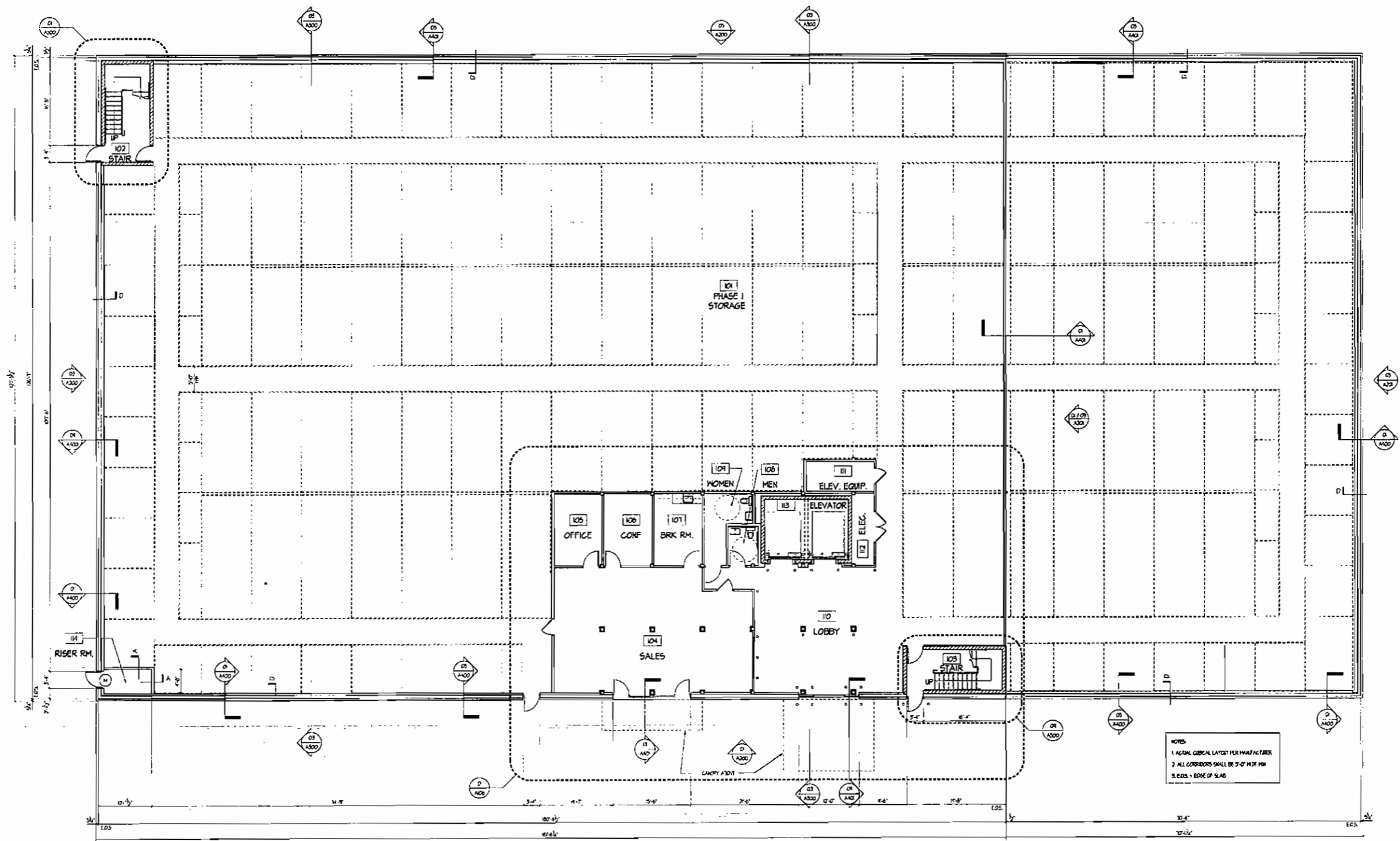
DATE: 05/09/07 JOB NO: 07031

REVISIONS:
NO DATE DESCRIPTION:

SHEET NUMBER

A101

of Total



NOTES
1. AGING GENERAL LAYOUT PER MANUFACTURER
2. ALL CORRIDORS SHALL BE 5'-0" WIDE MIN
3. E.O.S. - EDGE OF SLAB



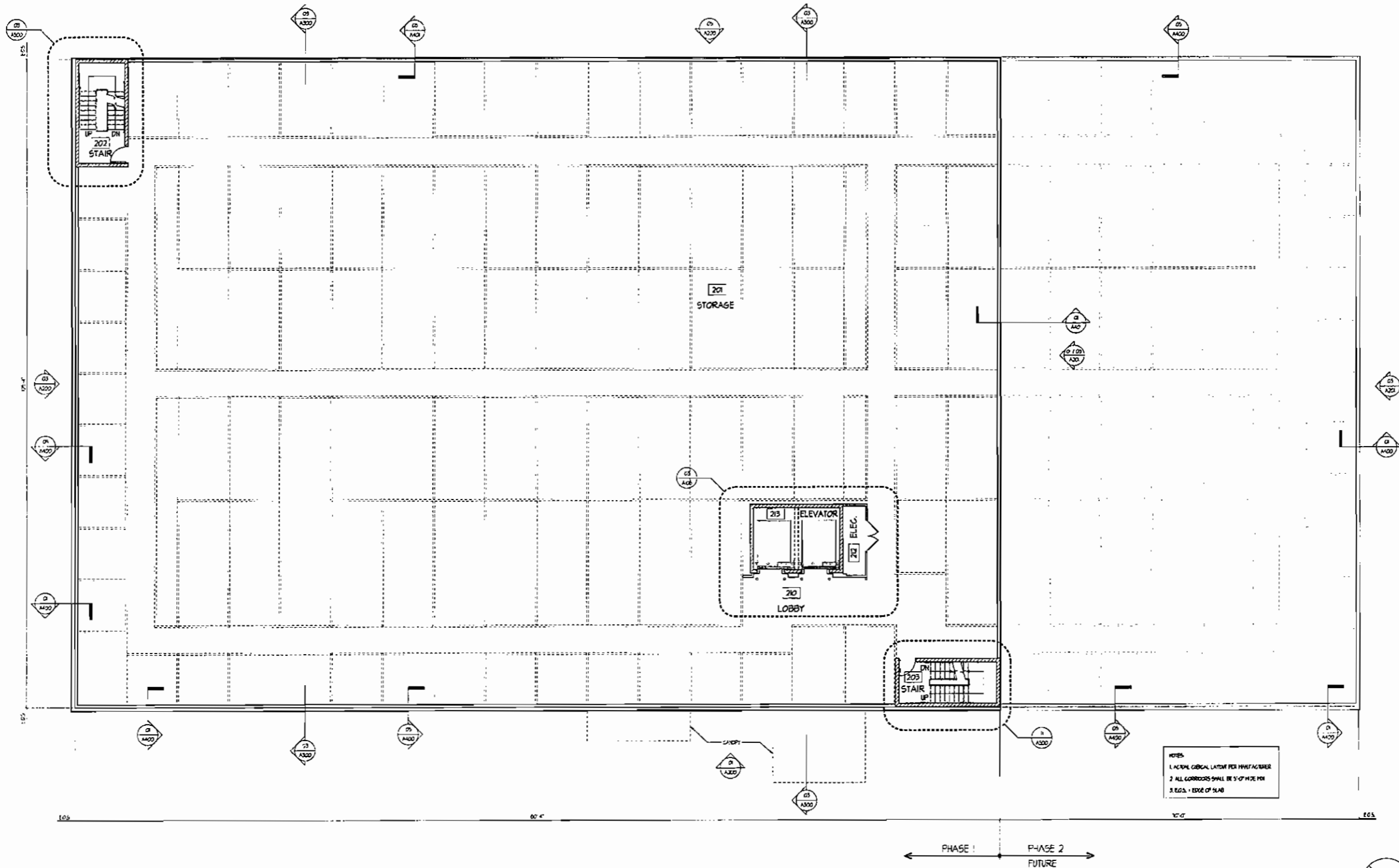
Architects, p.a.

ADW Architects, p.a.
 1401 West Morehead Street, Suite 100
 Charlotte, NC 28208
 704.379.1919 Fax 704.379.1920
 www.adwarchitects.com

Ballantyne Commons
 Storage Facility

dmi

CHARLOTTE, NC



NOTES:
 1. ACTUAL CORRAL LAYOUT PER MANUFACTURER
 2. ALL CORRIDORS SHALL BE 3'-0" MIN. PER
 3. E.G.S. - EDGE OF SLAB

FOR PRICING
 ONLY

SECOND FLOOR
 PLAN

DATE: 05/09/07 JOB NO. 07031

REVISIONS:
 NO. DATE DESCRIPTION:

SHEET NUMBER

A102

of Total



Architects, p.a.

ADW Architects, p.a.
 1401 West Morehead Street, Suite 100
 Charlotte, NC 28208
 704.379.1919 Fax 704.379.1920
 www.adwarchitects.com

Ballantyne Commons
 Storage Facility

dmi

CHARLOTTE, NC

FOR PRICING
 ONLY

THIRD FLOOR
 PLAN

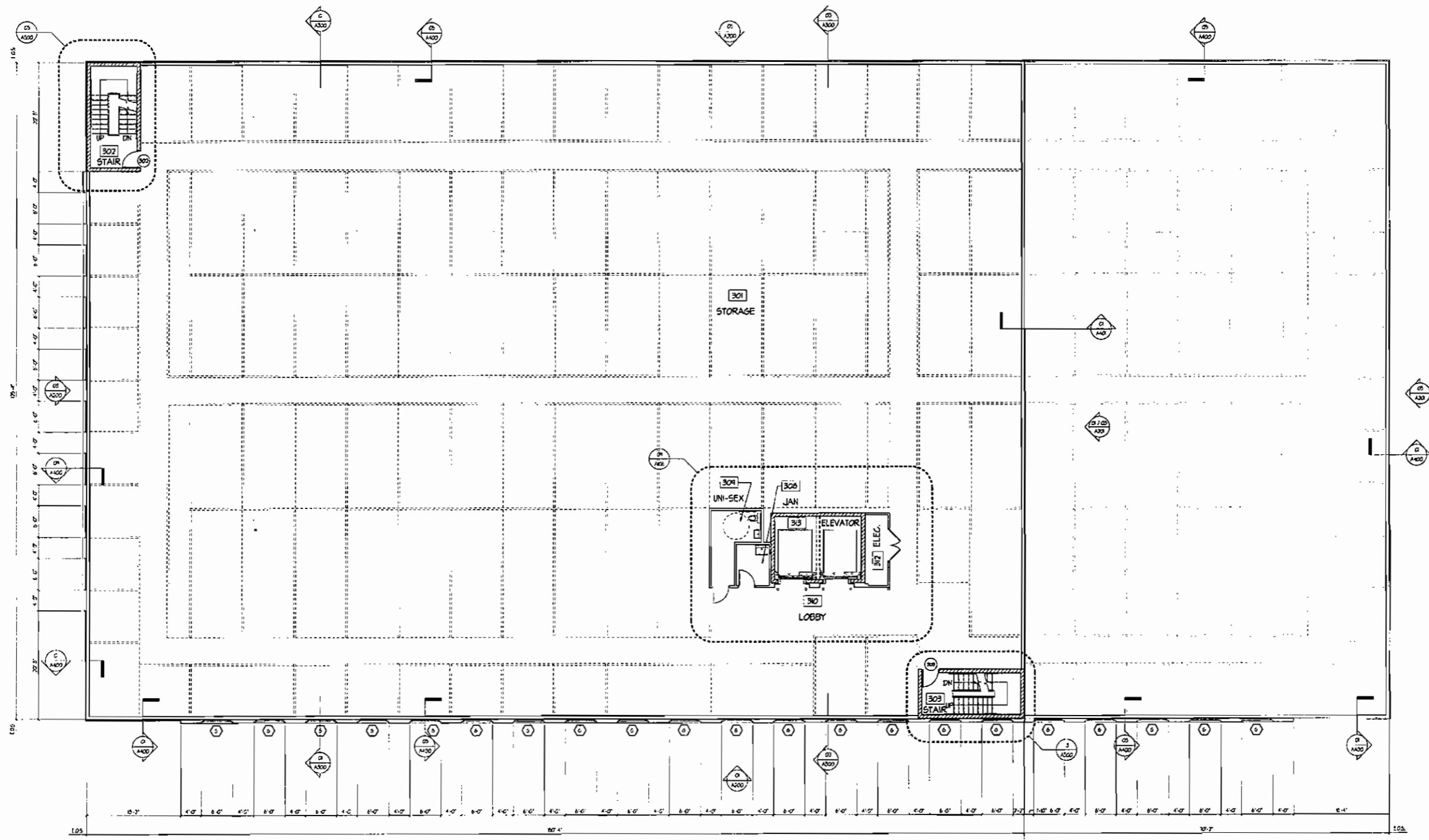
DATE: 05/09/07 JOB NO. 07031

REVISIONS:
 NO. DATE DESCRIPTION

SHEET NUMBER

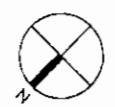
A103

of Total



← PHASE 1
 PHASE 2 →
 FUTURE

NOTES:
 1. ALL DIM. GENERAL LAYOUT PER MANUFACTURER
 2. ALL CORRIDORS SHALL BE 5'-0" WIDE MIN
 3. E.D.S. - EDGE OF SLAB





Architects, p.a.

ADW Architects, p.a.
 1401 West Morehead Street, Suite 100
 Charlotte, NC 28208
 704.379.1919 Fax 704.379.1920
 www.adwarchitects.com

Ballantyne Commons
 Storage Facility

dmi

CHARLOTTE, NC

FOR PRICING
 ONLY

FOURTH FLOOR
 PLAN

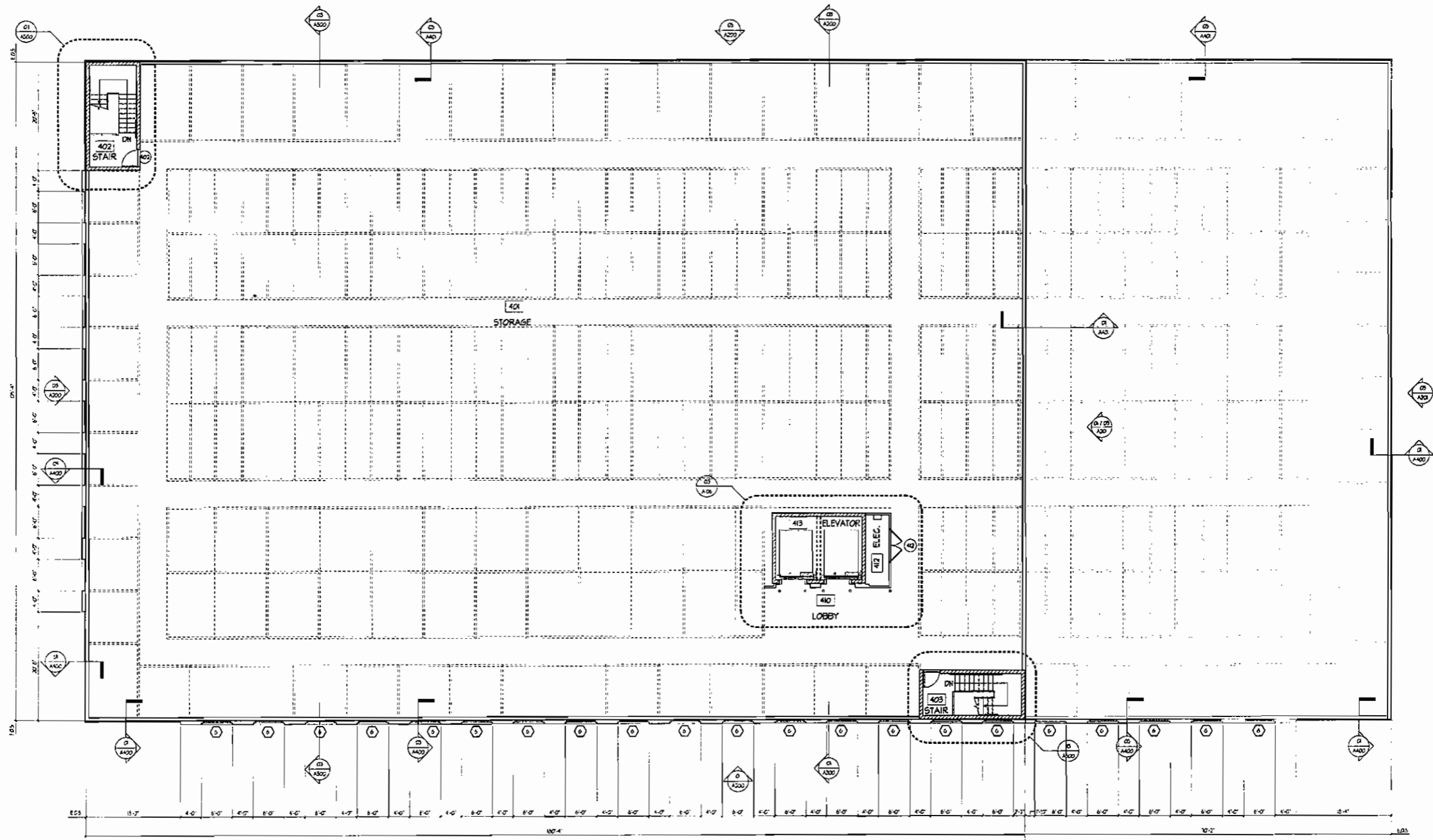
DATE: 05/09/07 JOB NO. 07031

REVISIONS:
 NO DATE DESCRIPTION

SHEET NUMBER

A104

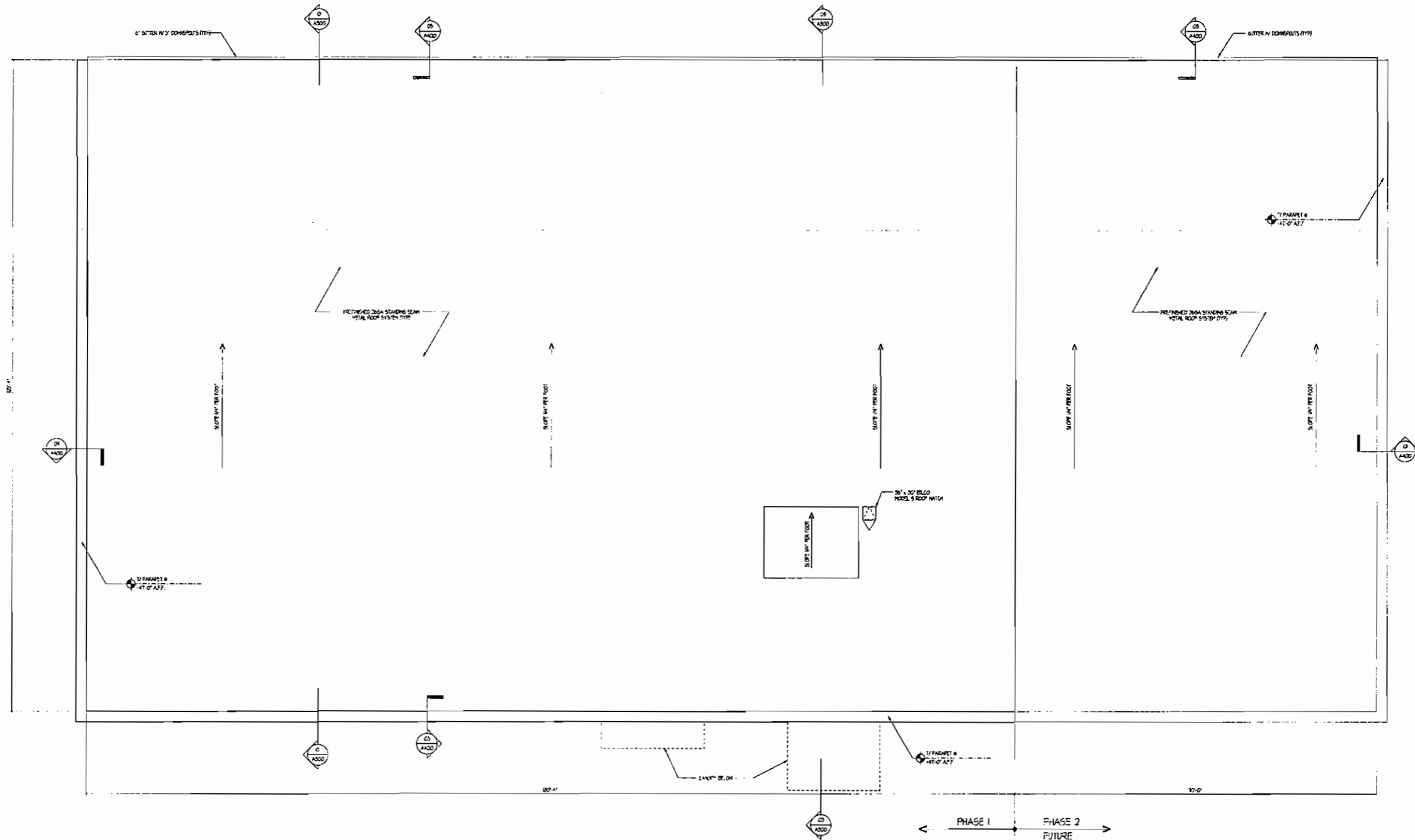
of Total



← PHASE 1 PHASE 2 FUTURE →

NOTES
 1. ACTUAL CURIAL LAYOUT PER MANUFACTURER
 2. ALL CORRIDORS SHALL BE 5'-0" WIDE MIN.
 3. E.O.S. = EDGE OF SLAB





ROOF PLAN

SCALE: 1/8" = 1'-0" 01



Architects, p.a.

ADW Architects, p.a.
 1401 West Morehead Street, Suite 100
 Charlotte, NC 28208
 704.379.1919 Fax 704.379.1920
 www.adwarchitects.com

Ballantyne
 Commons
 Storage Facility

dmi

CHARLOTTE, NC

FOR PRICING
 ONLY

ROOF PLAN

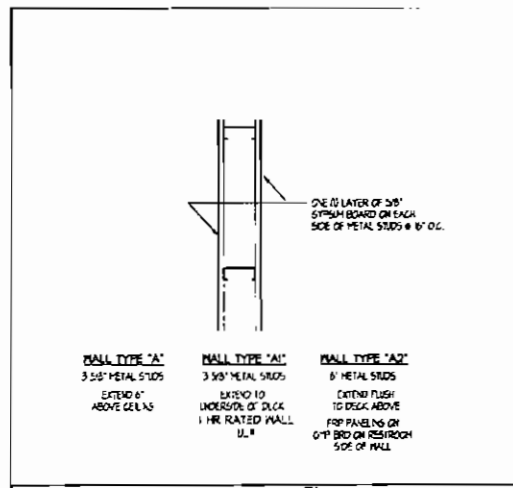
DATE: 05/09/07 JOB NO. 07031

REVISIONS:
 NO. DATE DESCRIPTION

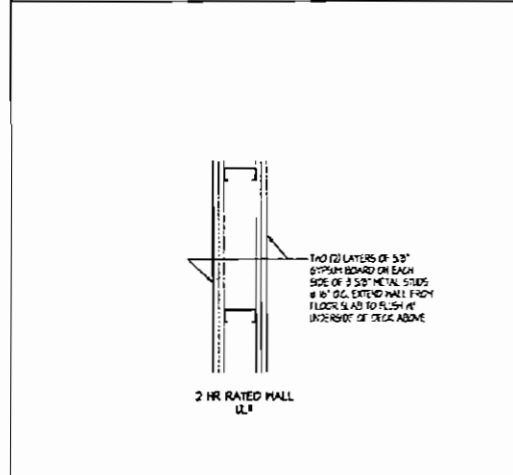
SHEET NUMBER

A105

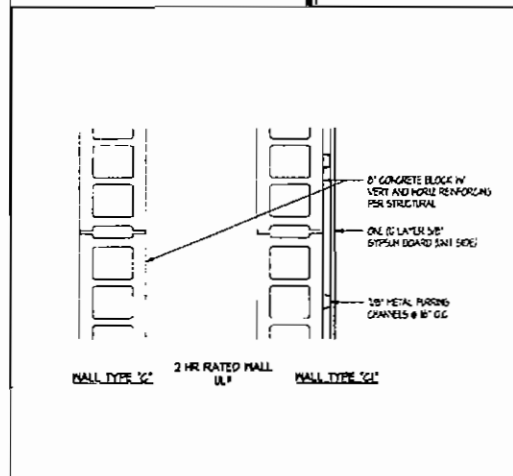
of Total



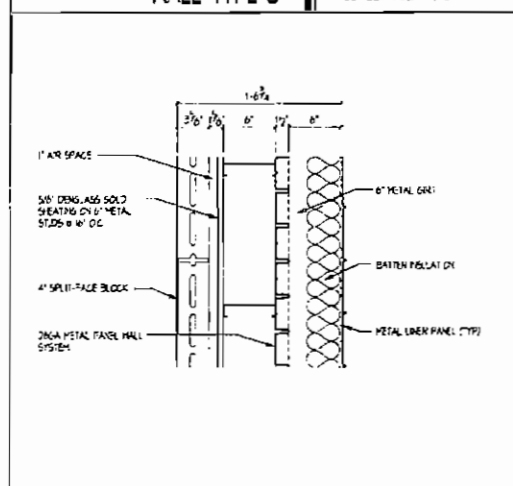
WALL TYPE A SCALE: 1/2" = 1'-0"



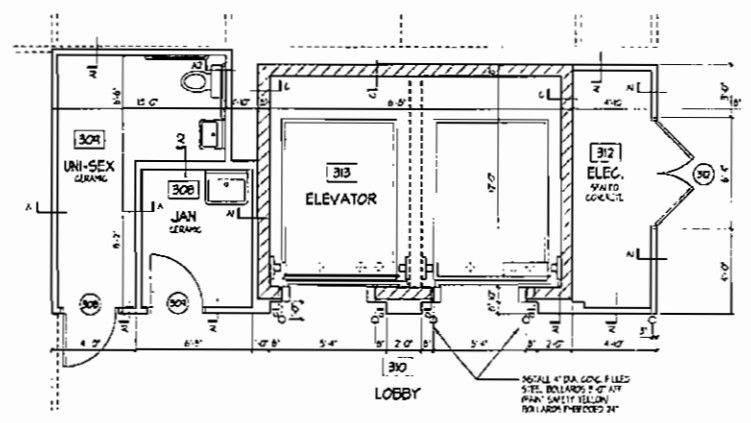
WALL TYPE B SCALE: 1/2" = 1'-0"



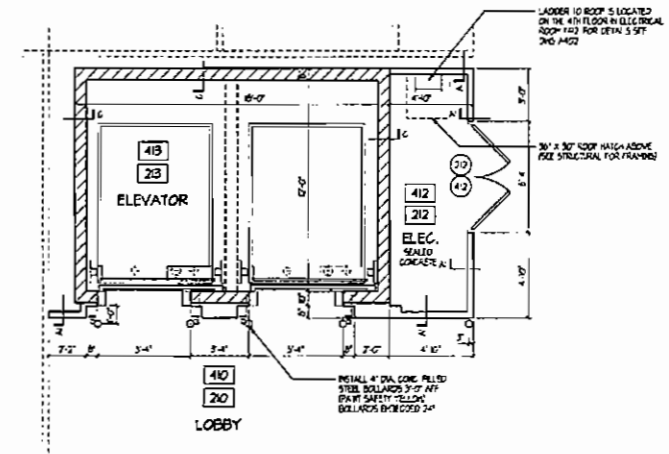
WALL TYPE C SCALE: 1/2" = 1'-0"



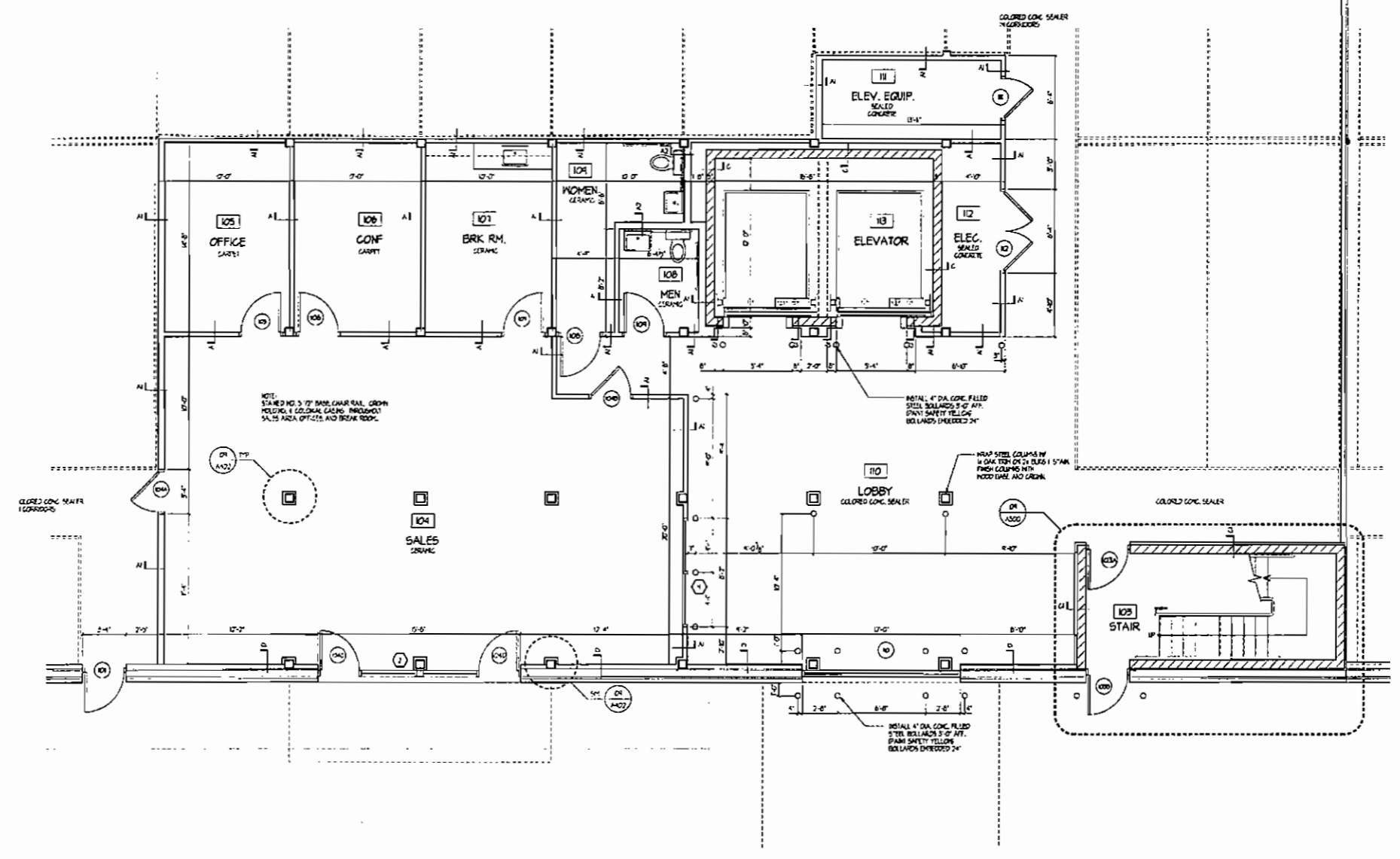
WALL TYPE D SCALE: 1/2" = 1'-0"

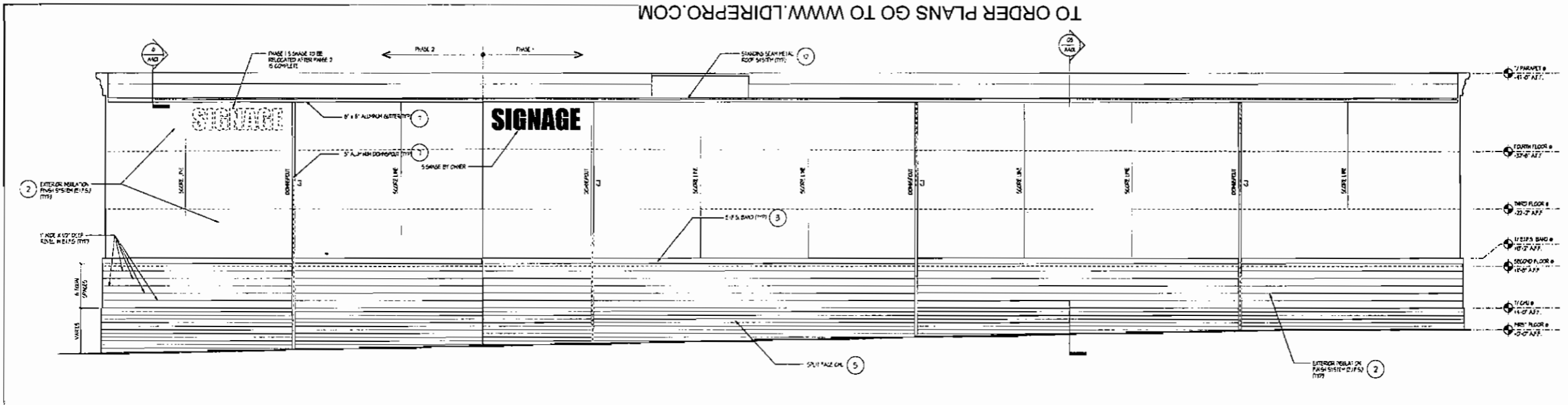


3RD FLOOR ENLARGED PLAN SCALE: 1/4" = 1'-0" 09



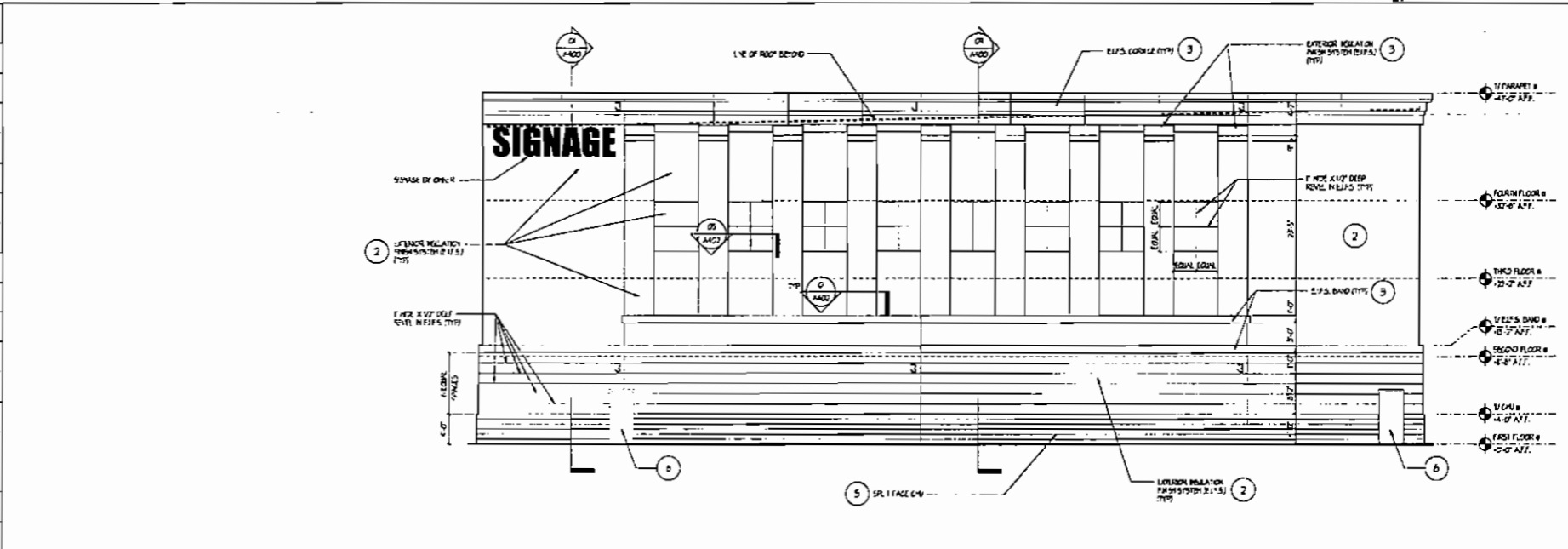
2ND AND 4TH FLOOR ENLARGED PLAN SCALE: 1/4" = 1'-0" 03





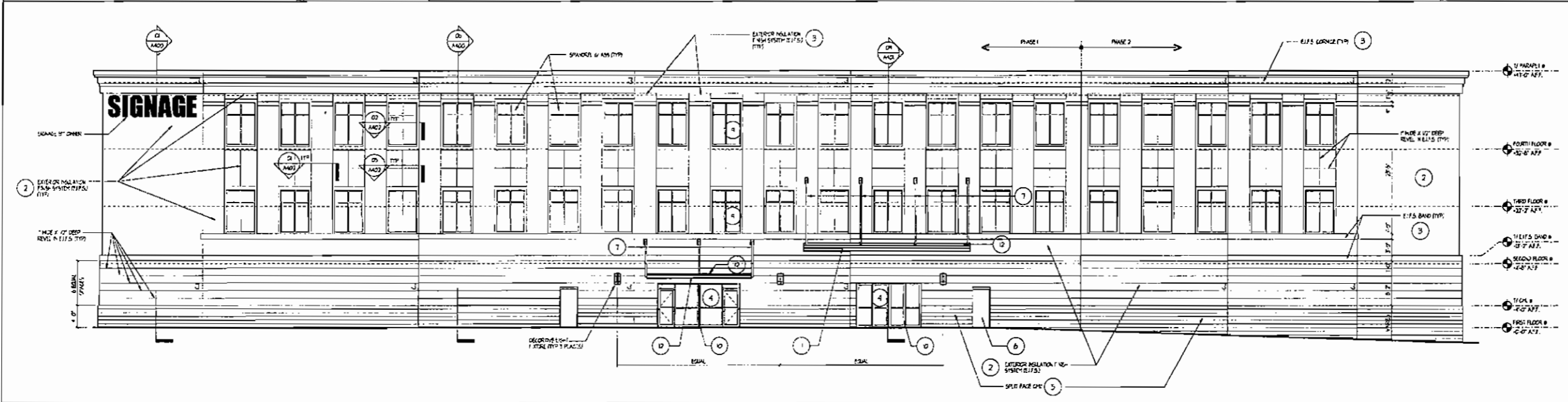
SOUTH ELEVATION | SCALE 1/8" = 1'-0" 05

TYPE	MATERIAL	COLOR / MANUFACTURER
1	NOT USED	NOT USED
2	E.F.S.	MATCH DRIVE 134150
3	E.F.S.	MATCH DRIVE 134150
4	GLAZING	SQUARE-GRID ALUMINUM
5	SPLIT FACE GY	3002 GREEN W/ HORIZ HOLLOW INS PER 1/2\"/>



EAST ELEVATION | SCALE 1/8" = 1'-0" 03

EXTERIOR MATERIAL SCHEDULE | NO SCALE 05



NORTH ELEVATION | SCALE 1/8" = 1'-0" 01



ADW Architects, p.a.

1401 West Morehead Street, Suite 100
Charlotte, NC 28208
704.379.1919 Fax 704.379.1920
www.adwarchitects.com

Ballantyne Commons
Storage Facility

dmi

CHARLOTTE, NC

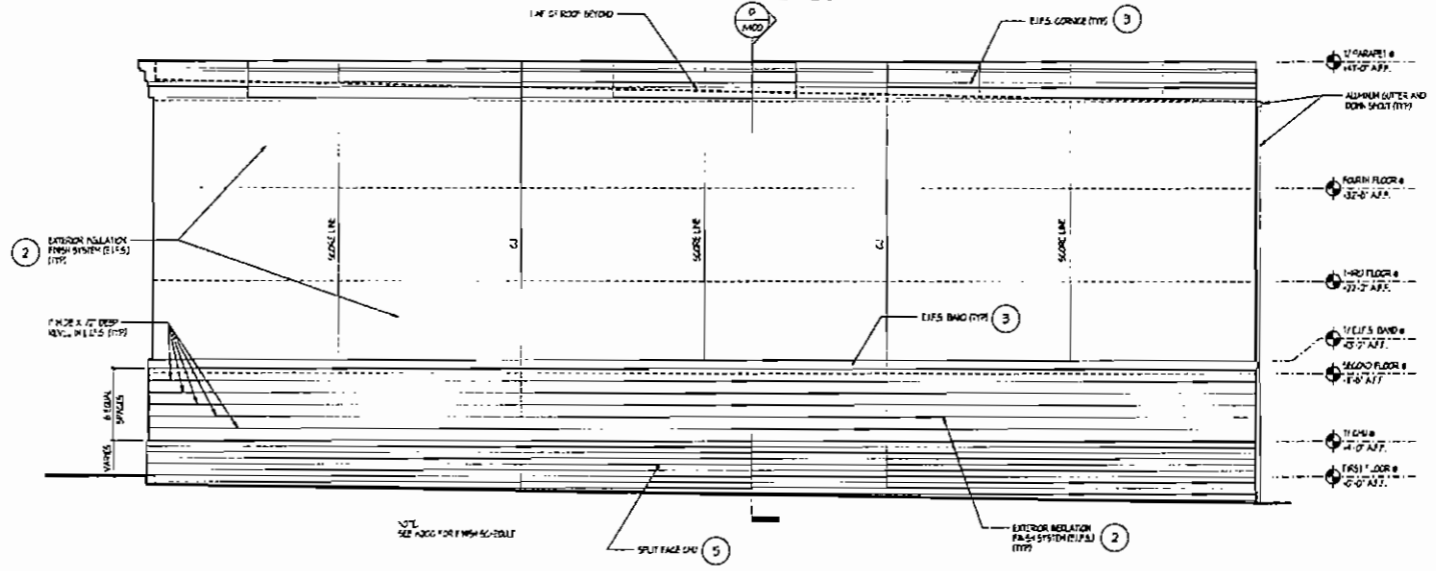
FOR PRICING ONLY

ELEVATIONS

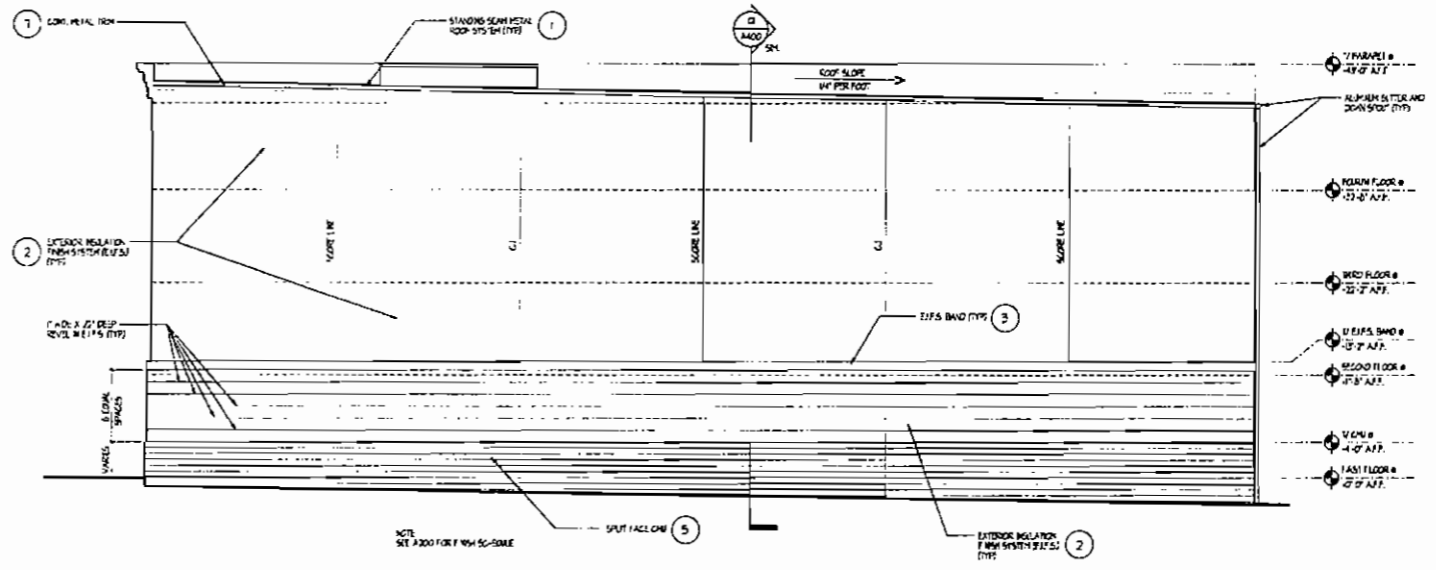
DATE: 05/09/07 JOB NO. 07031
REVISIONS:
NO. DATE DESCRIPTION

SHEET NUMBER
A200
of Total

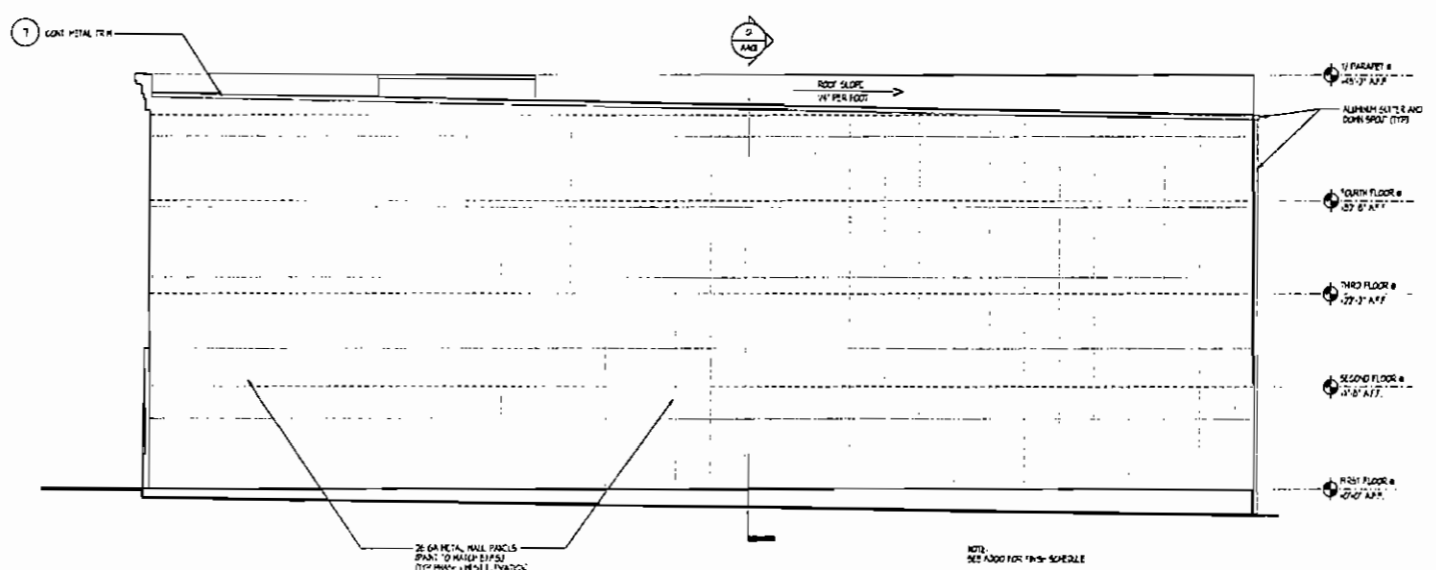
TO ORDER PLANS GO TO WWW.LDIREPRO.COM



WEST ELEVATION - PHASE 2 SCALE 1/8" = 1'-0" 05



WEST ELEVATION - PHASE 1 - ALTERNATE ELEVATION SCALE 1/8" = 1'-0" 03



WEST ELEVATION - PHASE 1 (BASE BID) SCALE 1/8" = 1'-0" 01



ADW Architects, p.a.
1401 West Morehead Street, Suite 100
Charlotte, NC 28208
704.379.1919 Fax 704.379.1920
www.adwarchitects.com

Ballantyne Commons
Storage Facility

dmi

CHARLOTTE, NC

FOR PRICING
ONLY

ELEVATIONS

DATE 05/09/07 JOB NO. 07031

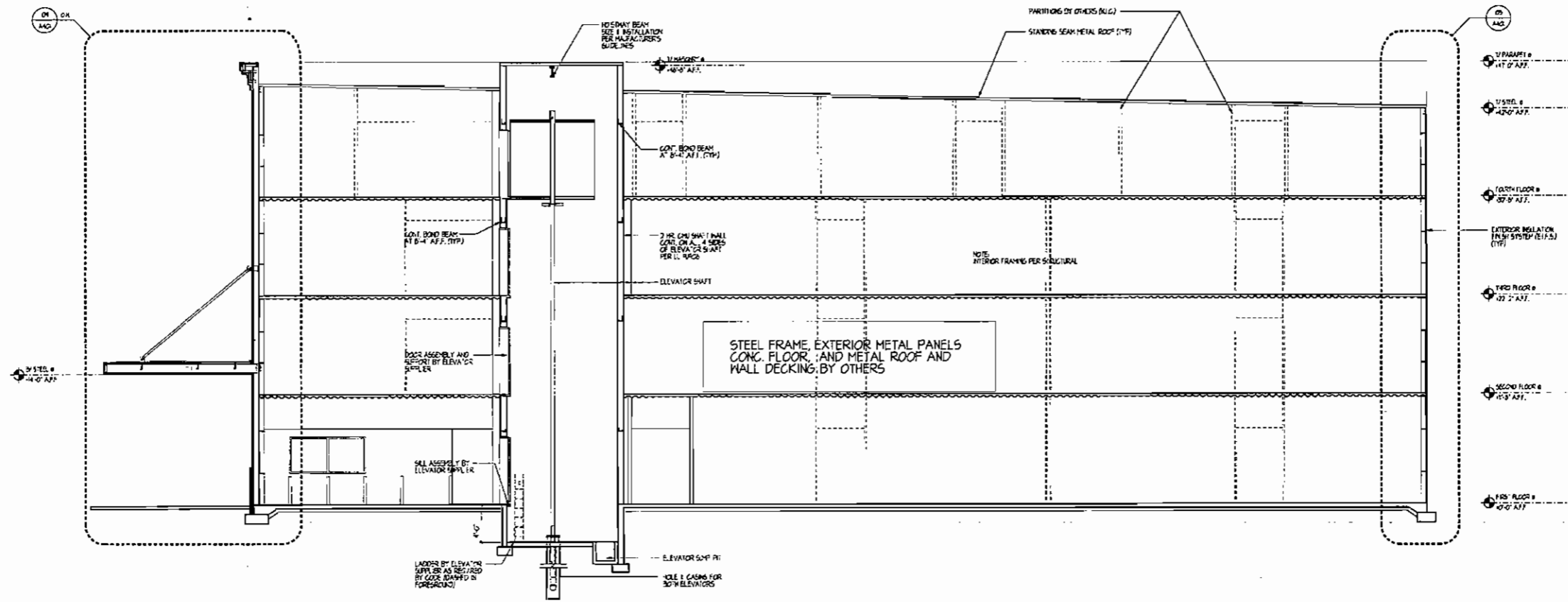
REVISIONS:

NO. DATE DESCRIPTION:

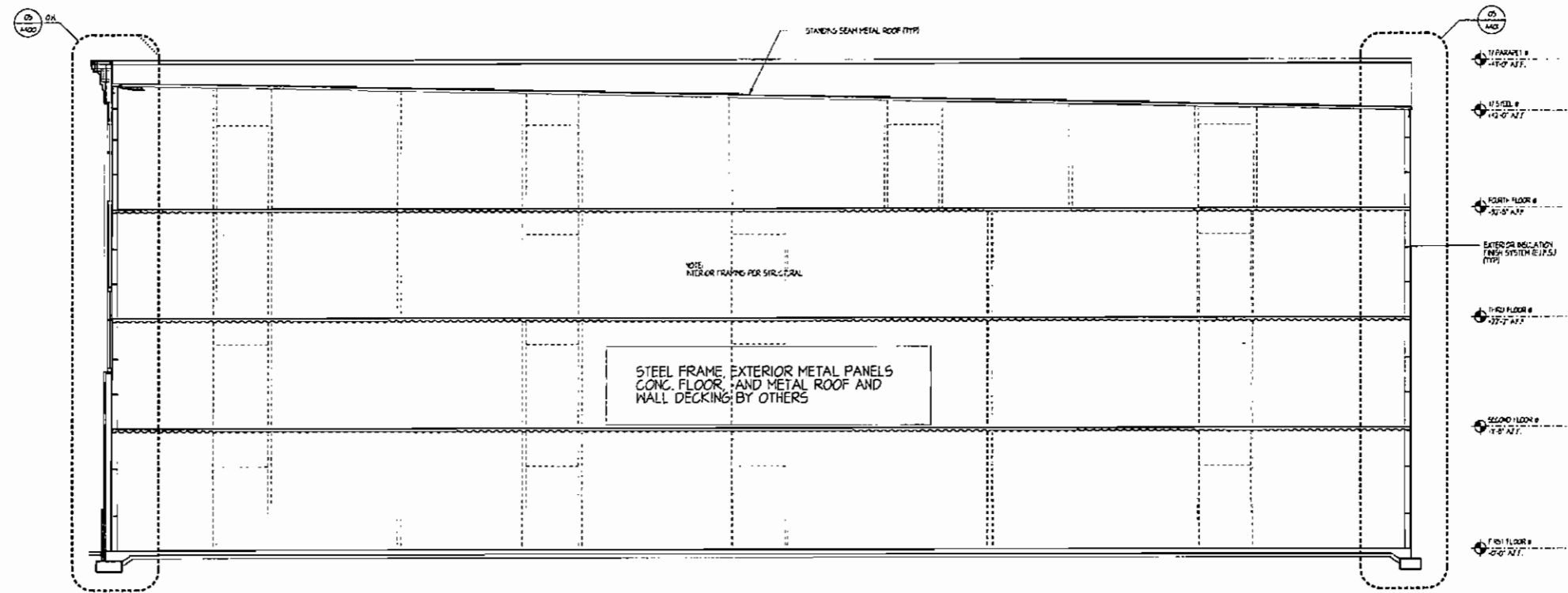
SHEET NUMBER

A201

of Total



BUILDING SECTION SCALE: 3/8" = 1'-0" 03



BUILDING SECTION SCALE: 3/8" = 1'-0" 01



Architects, p.a.

ADW Architects, p.a.
1401 West Morehead Street, Suite 100
Charlotte, NC 28208
704.379.1919 Fax 704.379.1920
www.adwarchitects.com

Ballantyne Commons
Storage Facility

dmi

CHARLOTTE, NC

FOR PRICING
ONLY

BUILDING SECTIONS

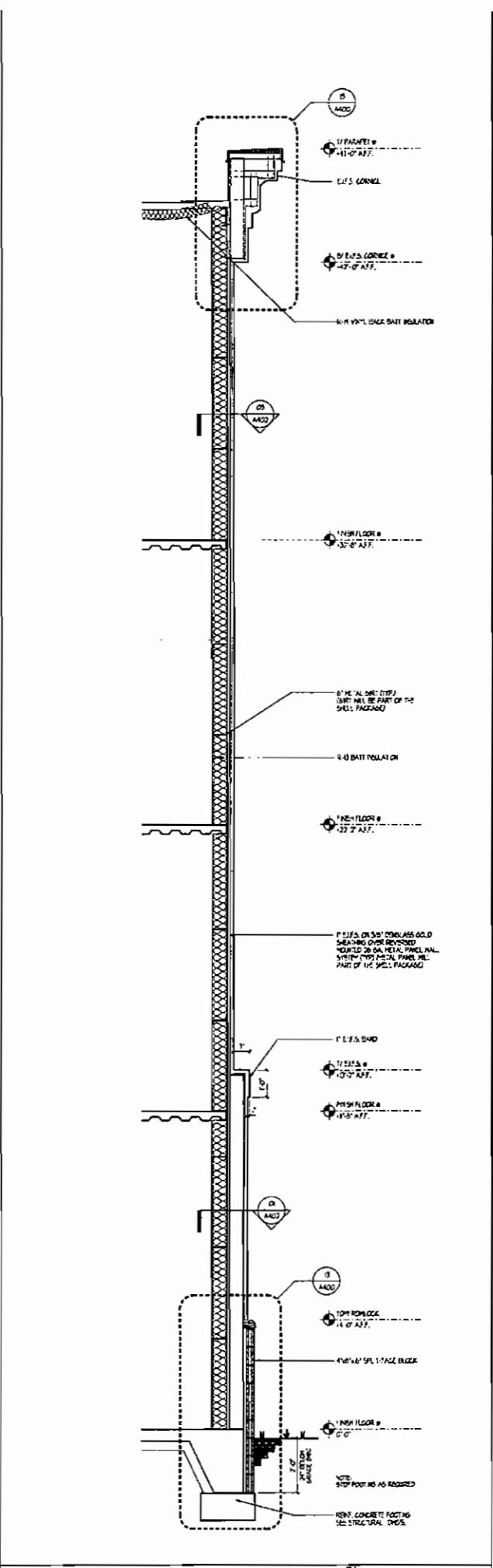
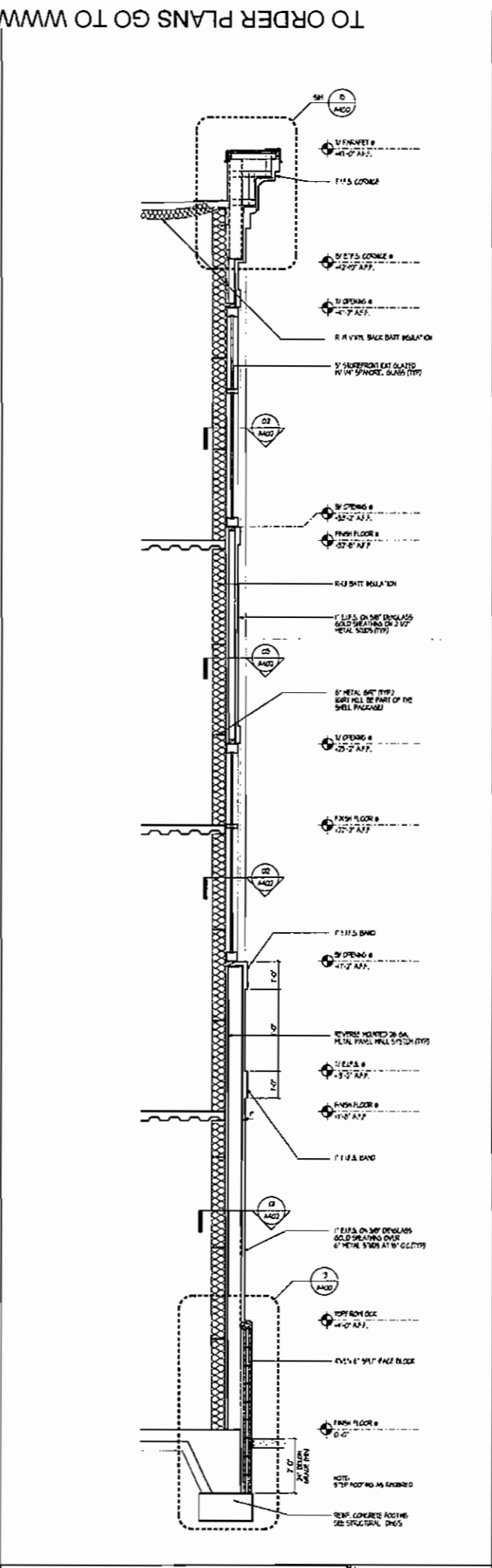
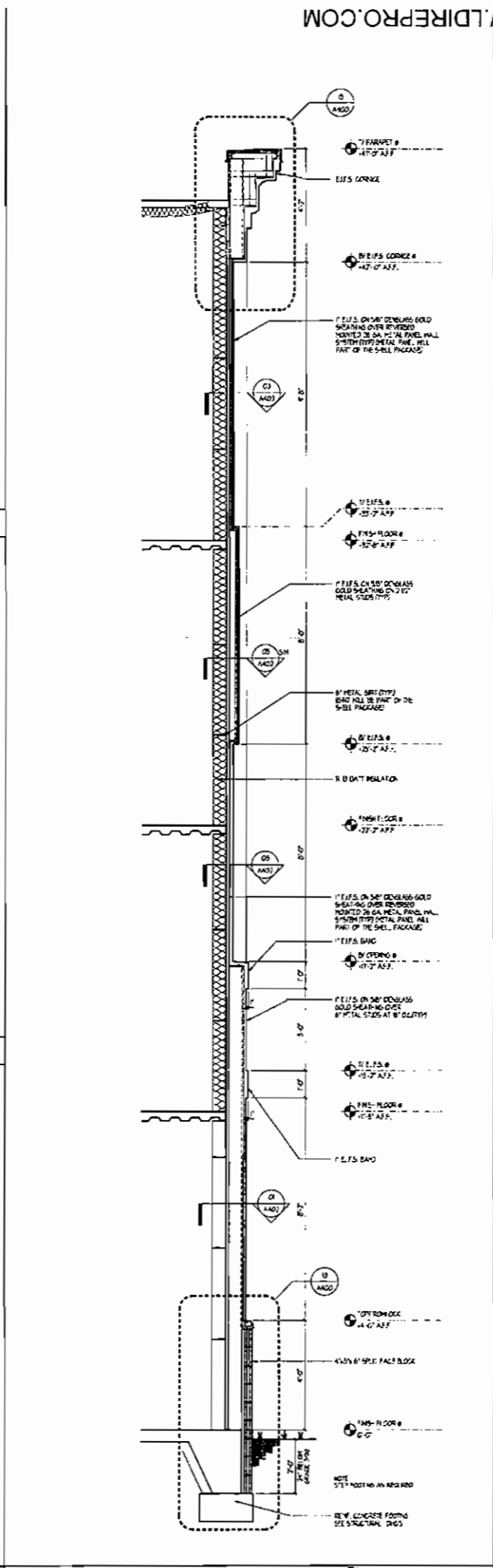
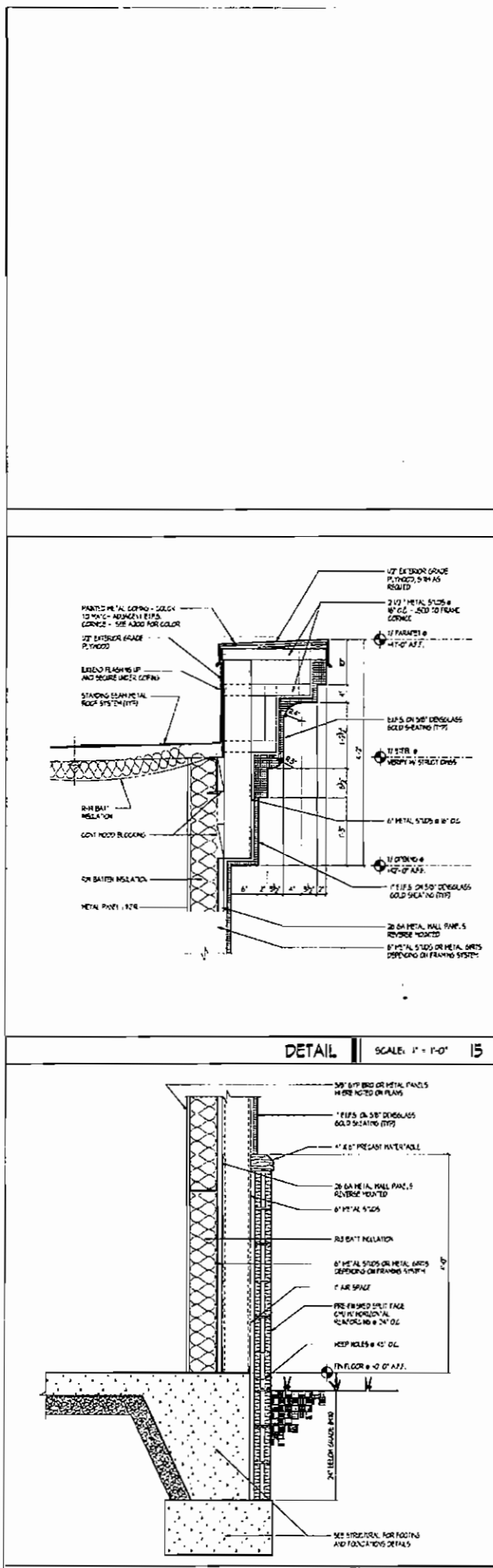
DATE: 05/09/07 JOB NO.: 07031

REVISIONS:
NO. DATE DESCRIPTION

SHEET NUMBER

A300

of Total



ADW
 Architects, p.a.
 ADW Architects, p.a.
 1401 West Morehead Street, Suite 100
 Charlotte, NC 28208
 704.379.1919 Fax 704.379.1920
 www.adwarchitects.com

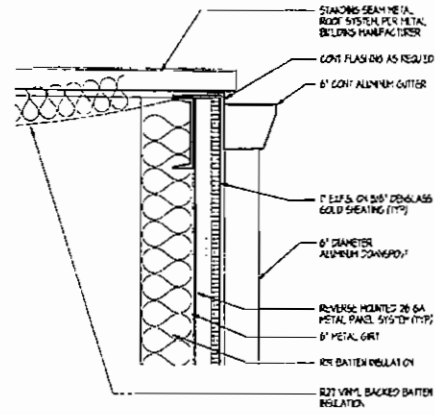
Ballantyne Commons Storage Facility
dmi
 CHARLOTTE, NC

FOR PRICING ONLY

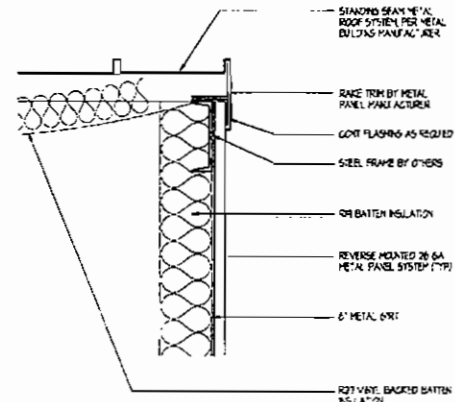
WALL SECTIONS AND DETAILS

DATE: 05/09/07 JOB NO. 07031
 REVISIONS:
 NO. DATE DESCRIPTION

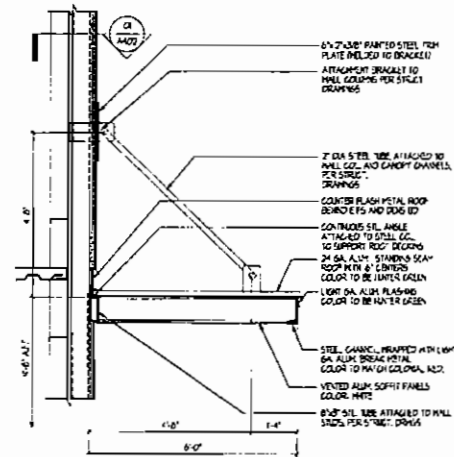
SHEET NUMBER
A400
 of Total



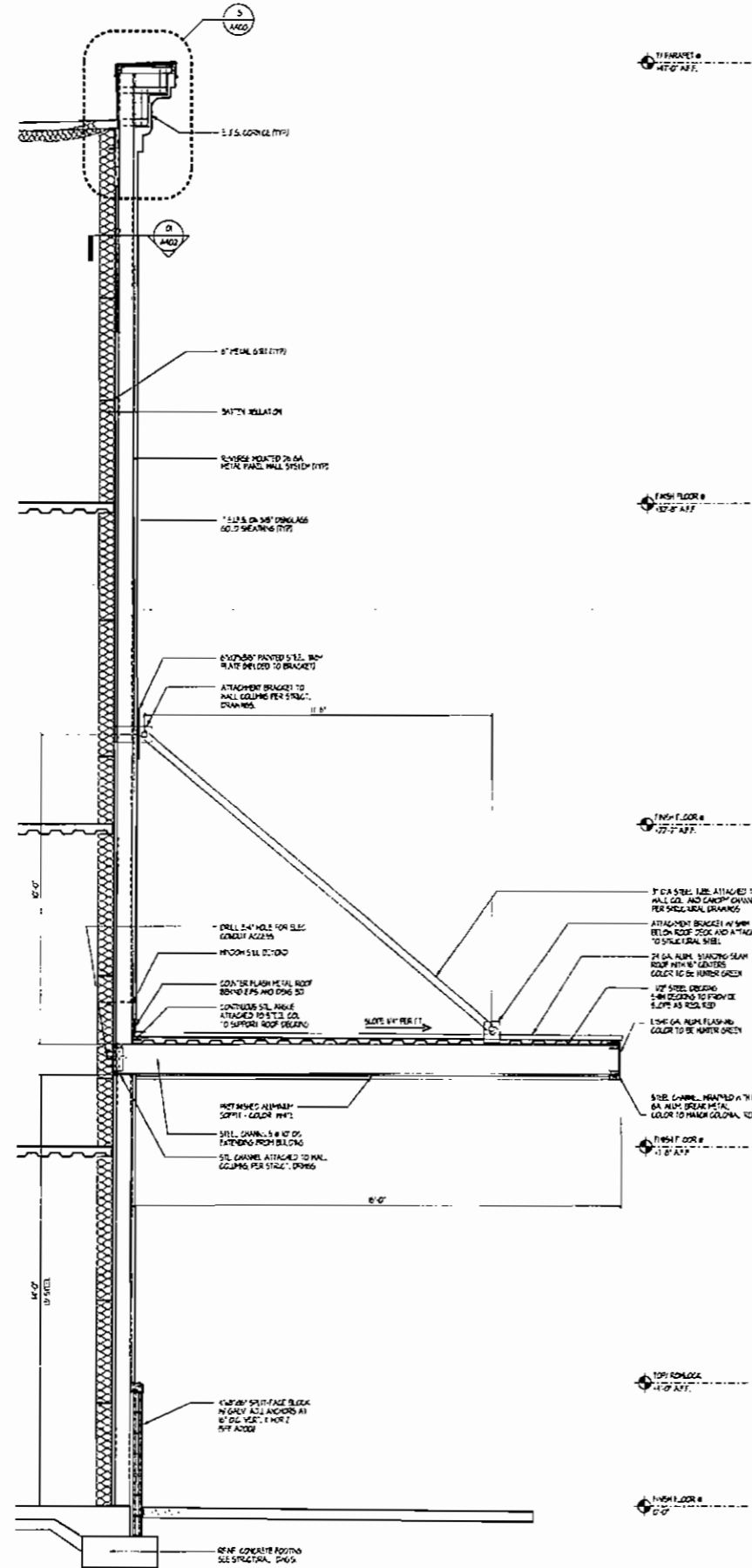
DETAIL SCALE: 1/2" = 1'-0" 16



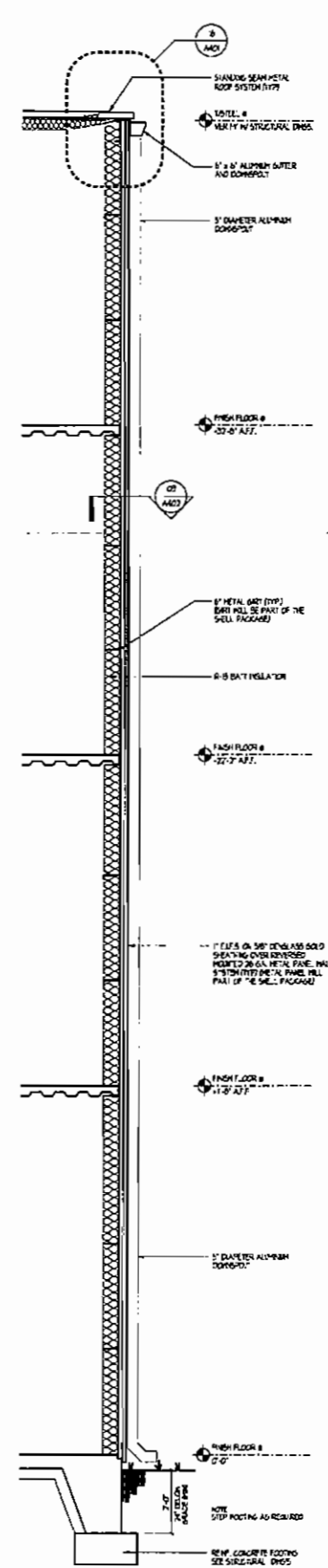
DETAIL SCALE: 1/2" = 1'-0" 15



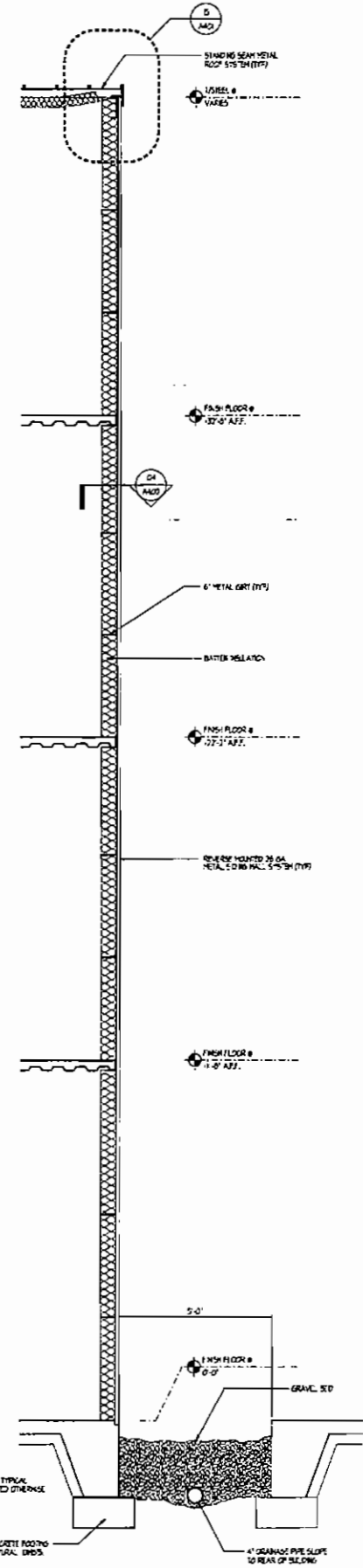
CANOPY AT SALES SECTION SCALE: 1/2" = 1'-0" 13



LOADING CANOPY SECTION SCALE: 1/2" = 1'-0" 09



WALL SECTION SCALE: 1/2" = 1'-0" 05



WALL SECTION SCALE: 1/2" = 1'-0" 01



Architects, p.a.
ADW Architects, p.a.
1401 West Morehead Street, Suite 100
Charlotte, NC 28208
704.379.1919 Fax 704.379.1920
www.adwarchitects.com

Ballantyne Commons Storage Facility

dmi

CHARLOTTE, NC

FOR PRICING ONLY

BUILDING SECTIONS AND DETAILS

DATE: 05/09/07 JOB NO. 07031

REVISIONS:

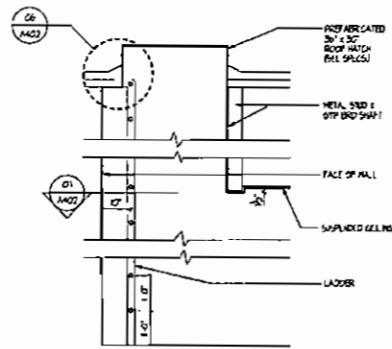
NO. DATE DESCRIPTION:

SHEET NUMBER

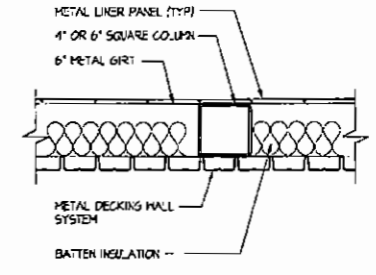
A401

of Total

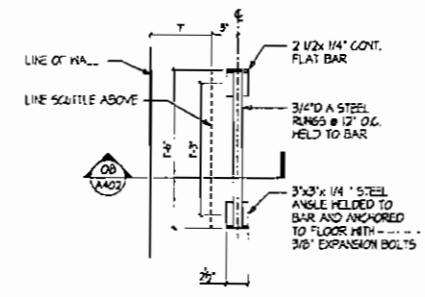
TO ORDER PLANS GO TO WWW.LDIREPRO.COM



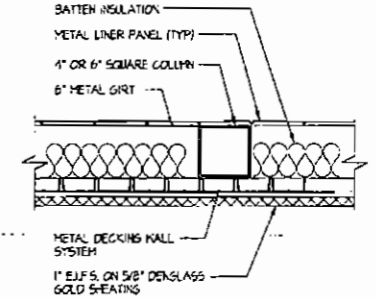
SCUTTLE SECTION || SCALE: 1/2" = 1'-0" 08



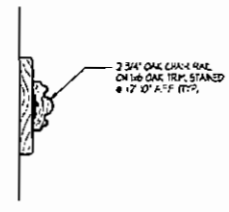
PLAN SECTION || SCALE: 1/2" = 1'-0" 04



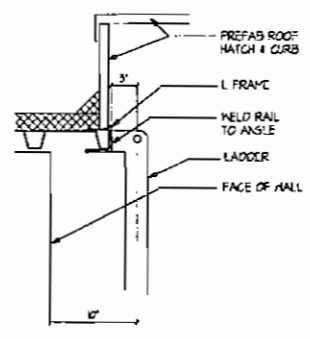
LADDER PLAN DETAIL || SCALE: 1/2" = 1'-0" 07



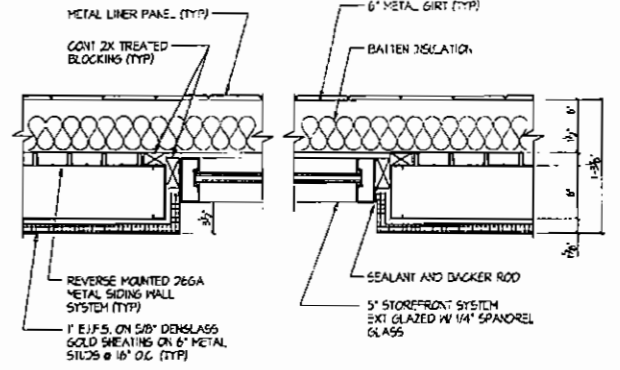
PLAN SECTION || SCALE: 1/2" = 1'-0" 03



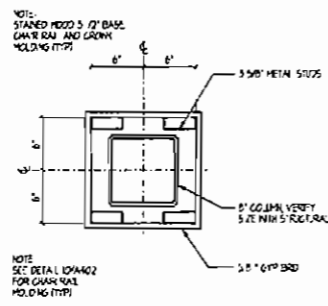
CHAIR RAIL DETAIL || SCALE: 3" = 1'-0" 10



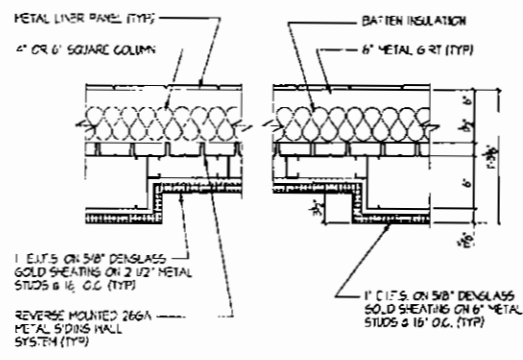
DETAIL AT SCUTTLE || SCALE: 1/2" = 1'-0" 06



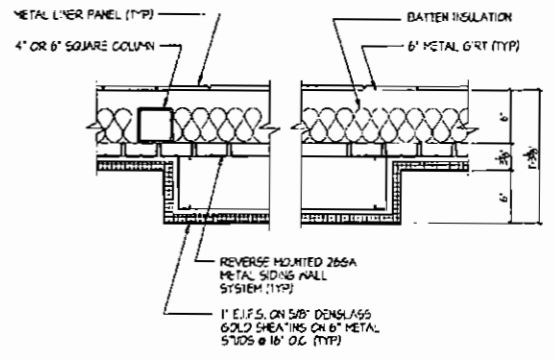
PLAN SECTION || SCALE: 1/2" = 1'-0" 02



COLUMN ENCLOSURE || SCALE: 1/2" = 1'-0" 09



PLAN SECTION || SCALE: 1/2" = 1'-0" 05



PLAN SECTION || SCALE: 1/2" = 1'-0" 01



Architects, p.a.
 ADW Architects, p.a.
 1401 West Morehead Street, Suite 100
 Charlotte, NC 28208
 704.379.1919 Fax 704.379.1920
 www.adwarchitects.com

Ballantyne Commons Storage Facility

dmi

CHARLOTTE, NC

FOR PRICING ONLY

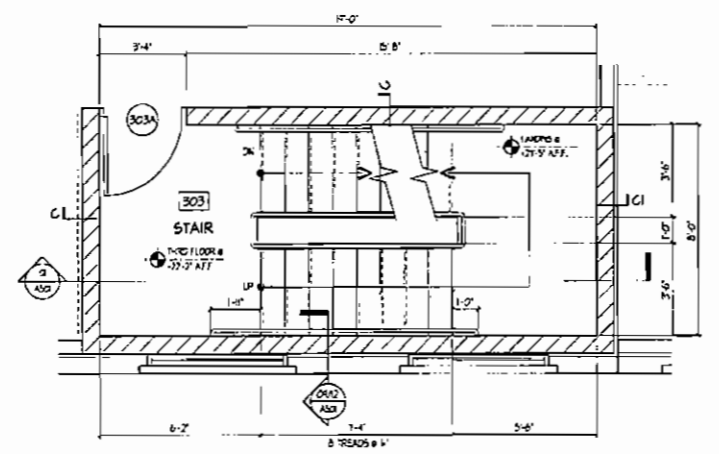
PLAN SECTIONS AND DETAILS

DATE: 05/09/07 JORN. NO. 07031

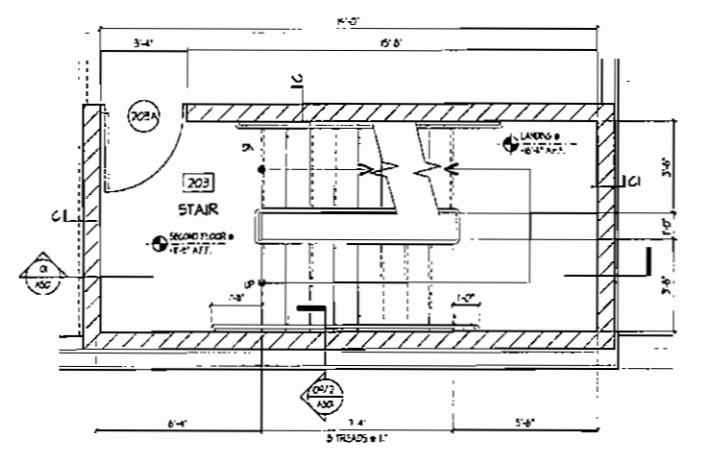
REVISIONS:
 NO. DATE DESCRIPTION:

SHEET NUMBER
A402
 of Total

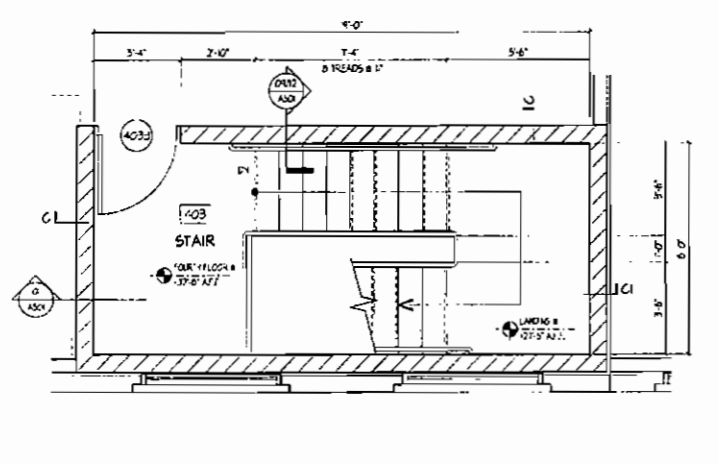
TO ORDER PLANS GO TO WWW.LDIREPRO.COM



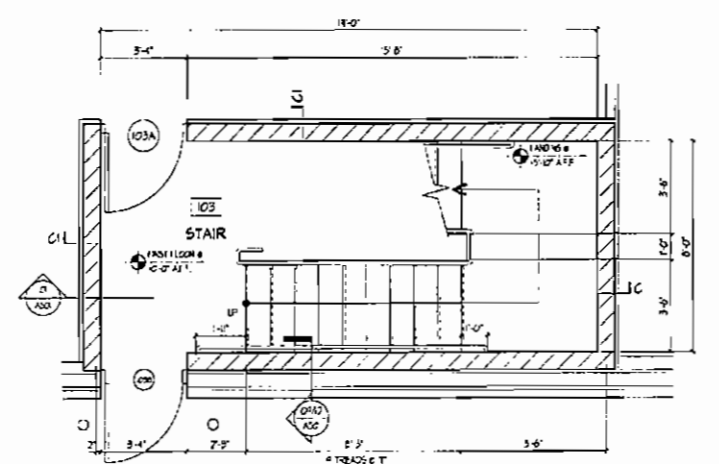
3rd FLOOR STAIR PLAN | SCALE: 3/8" = 1'-0" | 13



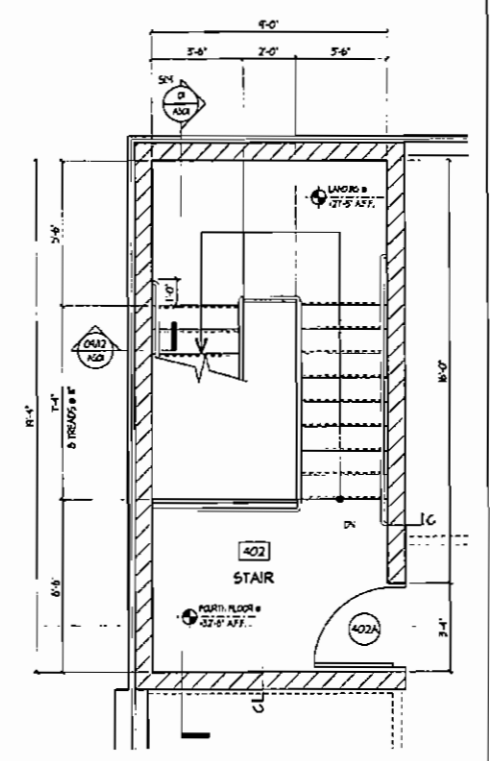
2nd FLOOR STAIR PLAN | SCALE: 3/8" = 1'-0" | 11



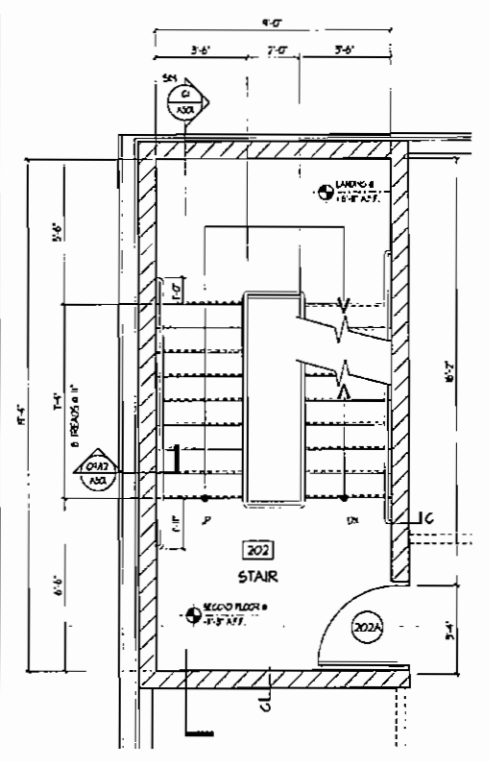
4th FLOOR STAIR PLAN | SCALE: 3/8" = 1'-0" | 15



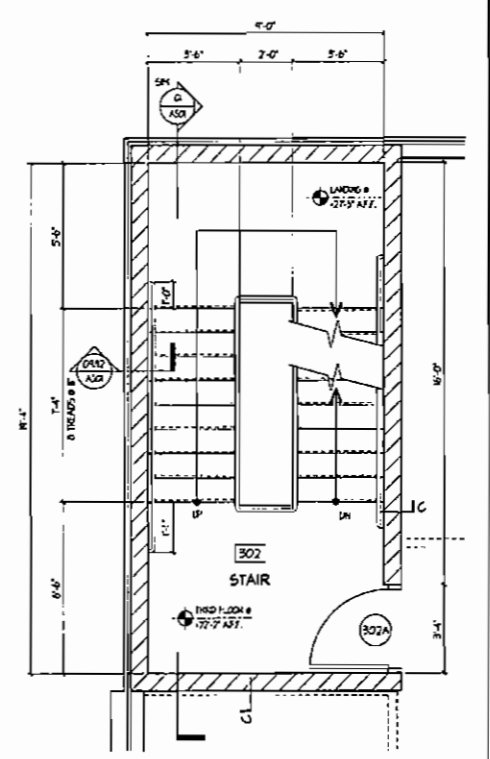
1st FLOOR STAIR PLAN | SCALE: 3/8" = 1'-0" | 09



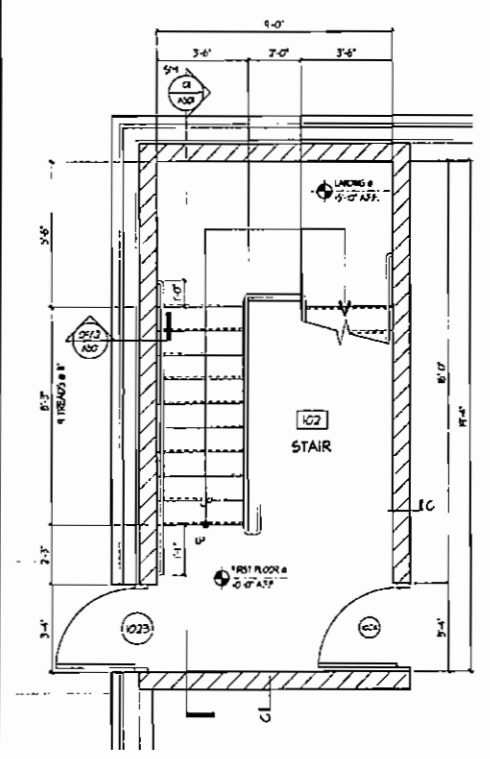
4th FLOOR STAIR PLAN | SCALE: 3/8" = 1'-0" | 07



2nd FLOOR STAIR PLAN | SCALE: 3/8" = 1'-0" | 03



3rd FLOOR STAIR PLAN | SCALE: 3/8" = 1'-0" | 05



1st FLOOR STAIR PLAN | SCALE: 3/8" = 1'-0" | 01



Architects, p.a.

ADW Architects, p.a.
1401 West Morehead Street, Suite 100
Charlotte, NC 28203
704.379.1919 Fax 704.379.1920
www.adwarchitects.com

Ballantyne Commons
Storage Facility

dmi

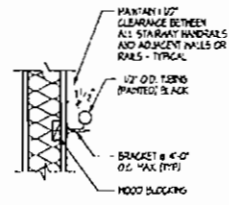
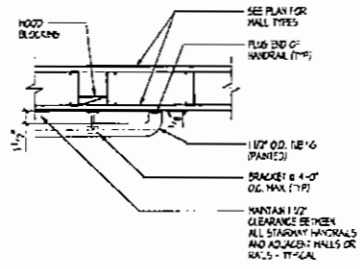
CHARLOTTE, NC

FOR PRICING
ONLY

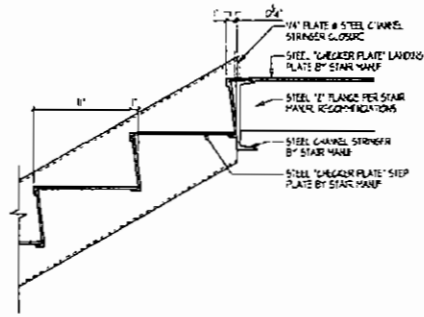
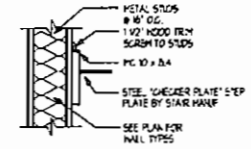
ENLARGED STAIR
PLANS

DATE: 05/09/07 JOB NO: 07031
REVISIONS:
NO. DATE DESCRIPTION:

Sheet Number
A500
of Total

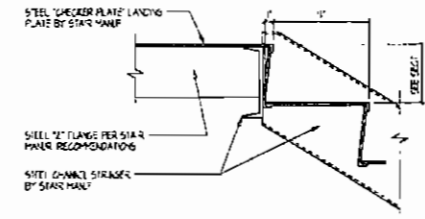
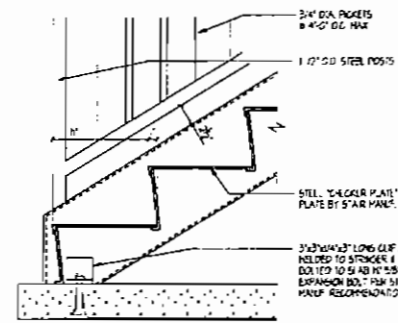


STAIR DETAIL SCALE: 1/2" = 1'-0" 09



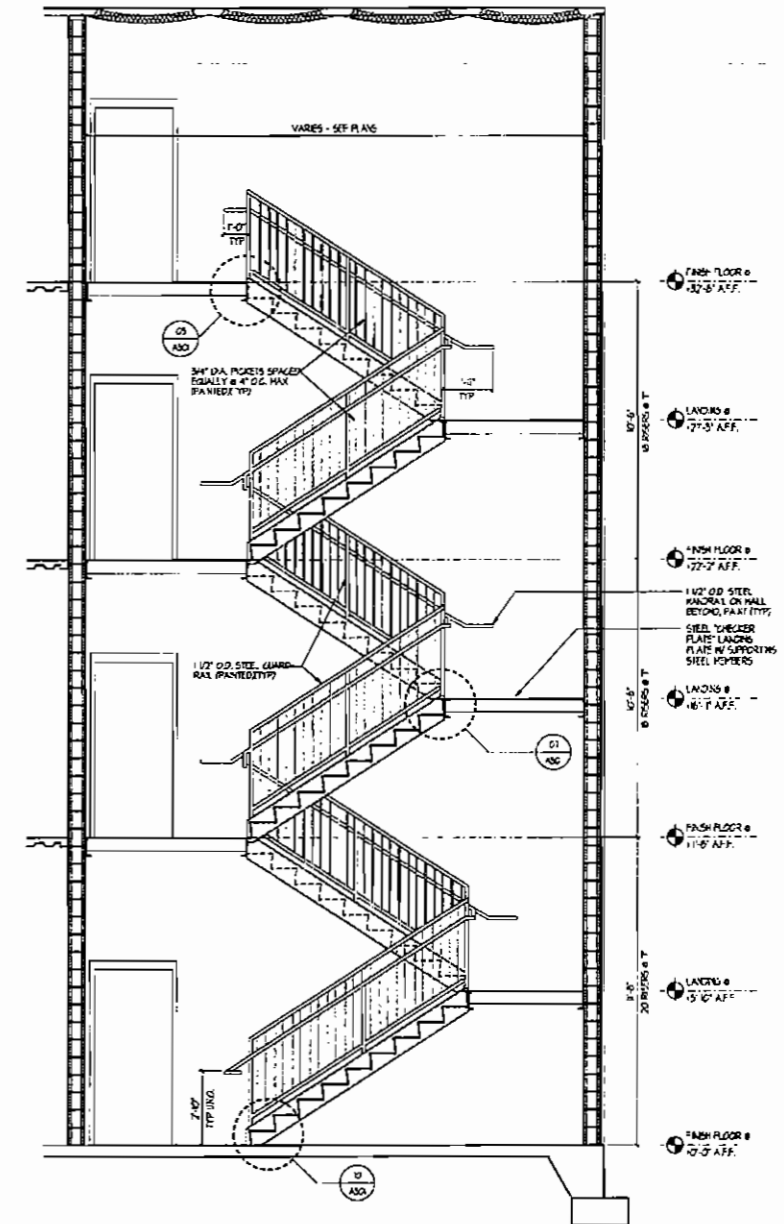
STAIR DETAIL SCALE: 1/2" = 1'-0" 12

STAIR DETAIL SCALE: 1/2" = 1'-0" 07



STAIR DETAIL SCALE: 1/2" = 1'-0" 10

STAIR DETAIL SCALE: 1/2" = 1'-0" 05



STAIR SECTION SCALE: 3/8" = 1'-0" 01



ADW Architects, p.a.
1401 West Morehead Street, Suite 100
Charlotte, NC 28208
704.379.1919 Fax: 704.379.1920
www.adwarchitects.com

Ballantyne Commons
Storage Facility

dmi

CHARLOTTE, NC

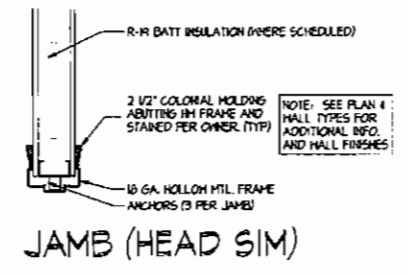
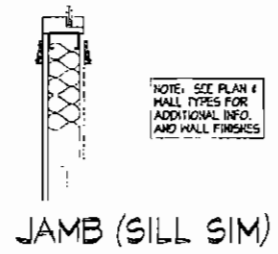
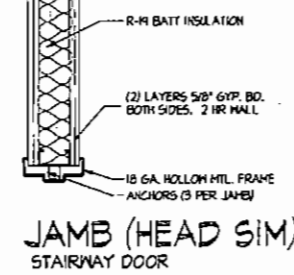
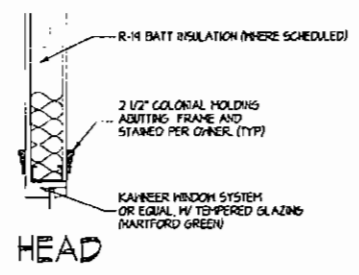
FOR PRICING
ONLY

STAIR SECTIONS
AND DETAILS

DATE: 05/09/07 JOB NO. 07031
REVISIONS:
NO. DATE DESCRIPTION:

SHEET NUMBER
A501
of Total

DOOR NUMBER	DOOR						FRAME				HARDWARE			REMARKS	DOOR NUMBER
	SIZE	MATERIAL	FINISH	ELEV	RATING		MATERIAL	FINISH	HEAD	ELEV	SLL	CLOSER	PARIC		
101	3'-0" x 7'-0" x 1 1/2"	WM	PAINT	B			WM	PAINT		3	ALUM	YES		4	101
102A	3'-0" x 7'-0" x 1 1/2"	WM	PAINT	B	90		WM	PAINT	15/ALUM	5		YES		1	102A
102B	3'-0" x 7'-0" x 1 1/2"	WM	PAINT	B			WM	PAINT		3	ALUM	YES		4	102B HARTFORD GREEN FRAME
103A	3'-0" x 7'-0" x 1 1/2"	WM	PAINT	B	90		WM	PAINT	15/ALUM	5		YES		1	103A
103B	3'-0" x 7'-0" x 1 1/2"	WM	PAINT	B			WM	PAINT		3	ALUM	YES		4	103B HARTFORD GREEN FRAME
104A	3'-0" x 7'-0" x 1 1/2"	WM	PAINT	B			WM	PAINT		3		YES		4	104A
104B	3'-0" x 7'-0" x 1 1/2"	WM	PAINT	B			WM	PAINT		3		YES		4	104B
104C	3'-0" x 7'-0" x 1 1/2"	ALUM/GLASS	HARTFORD GREEN	D			ALUM	HARTFORD GREEN	15/ALUM	2	ALUM	YES		5	KEY OPERATED LOCKING AT MAIN ENTRANCE DOORS PER 2011 IBC SECTION 1008.1.6.3
104D	3'-0" x 7'-0" x 1 1/2"	ALUM/GLASS	HARTFORD GREEN	D			ALUM	HARTFORD GREEN	15/ALUM	2	ALUM	YES		5	KEY OPERATED LOCKING AT MAIN ENTRANCE DOORS PER 2011 IBC SECTION 1008.1.6.3
105	3'-0" x 7'-0" x 1 1/2"	SOLID CORE W/ STAIN		B			WM	PAINT	15/ALUM	3				2	105
106	3'-0" x 7'-0" x 1 1/2"	SOLID CORE W/ STAIN		B			WM	PAINT	15/ALUM	3				2	106
107	3'-0" x 7'-0" x 1 1/2"	SOLID CORE W/ STAIN		B			WM	PAINT	15/ALUM	3				2	107
108	3'-0" x 7'-0" x 1 1/2"	SOLID CORE W/ STAIN		B			WM	PAINT	15/ALUM	3		YES		2	108
109	3'-0" x 7'-0" x 1 1/2"	SOLID CORE W/ STAIN		B			WM	PAINT	15/ALUM	3		YES		2	109
110	WM 3'-0" x 7'-0" x 1 1/2"	ALUM/GLASS	HARTFORD GREEN	A			ALUM	HARTFORD GREEN		1	ALUM				ELECTRONIC ACTIVATED SLIDING DOOR. KEY PAD ACCESS
111	3'-0" x 7'-0" x 1 1/2"	WM	PAINT	B			WM	PAINT	15/ALUM	3		YES		1	111
112	WM 3'-4" x 7'-0" x 1 1/2"	WM	PAINT	B			WM	PAINT	15/ALUM	4				1	112
114	3'-0" x 7'-0" x 1 1/2"	WM	PAINT	B			WM	PAINT		3		YES		1	114 HARTFORD GREEN FRAME
202	3'-0" x 7'-0" x 1 1/2"	WM	PAINT	B			WM	PAINT	15/ALUM	5		YES		1	202
203	3'-0" x 7'-0" x 1 1/2"	WM	PAINT	B			WM	PAINT	15/ALUM	5		YES		1	203
212	WM 3'-4" x 7'-0" x 1 1/2"	WM	PAINT	B			WM	PAINT	15/ALUM	4				1	212
302	3'-0" x 7'-0" x 1 1/2"	WM	PAINT	B			WM	PAINT	15/ALUM	3		YES		1	302
303	3'-0" x 7'-0" x 1 1/2"	WM	PAINT	B			WM	PAINT	15/ALUM	3		YES		1	303
304	3'-0" x 7'-0" x 1 1/2"	WM	PAINT	B			WM	PAINT	15/ALUM	3		YES		2	304
305	3'-0" x 7'-0" x 1 1/2"	WM	PAINT	B			WM	PAINT	15/ALUM	3		YES		2	305
317	WM 3'-4" x 7'-0" x 1 1/2"	WM	PAINT	B			WM	PAINT	15/ALUM	4				1	317
402	3'-0" x 7'-0" x 1 1/2"	WM	PAINT	B			WM	PAINT	15/ALUM	5		YES		1	402
403	3'-0" x 7'-0" x 1 1/2"	WM	PAINT	B			WM	PAINT	15/ALUM	5		YES		1	403
412	WM 3'-4" x 7'-0" x 1 1/2"	WM	PAINT	B			WM	PAINT	15/ALUM	4				1	412



WINDOW SCHEDULE

NO.	SIZE	MATERIAL	FINISH	ELEV	RATING	REMARKS
1	SEE ELEVATION	ALUM/GLASS	HARTFORD GREEN			SEE ELEVATION
2	SEE ELEVATION	ALUM/GLASS	HARTFORD GREEN			SEE ELEVATION
3	SEE ELEVATION	ALUM/GLASS	HARTFORD GREEN			SEE ELEVATION
4	SEE ELEVATION	ALUM/GLASS	HARTFORD GREEN			SEE ELEVATION

NOTES:

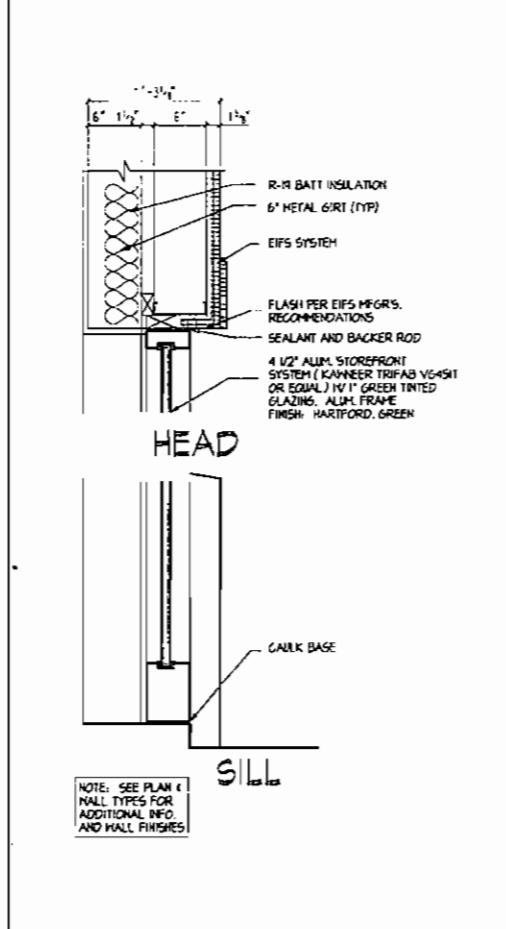
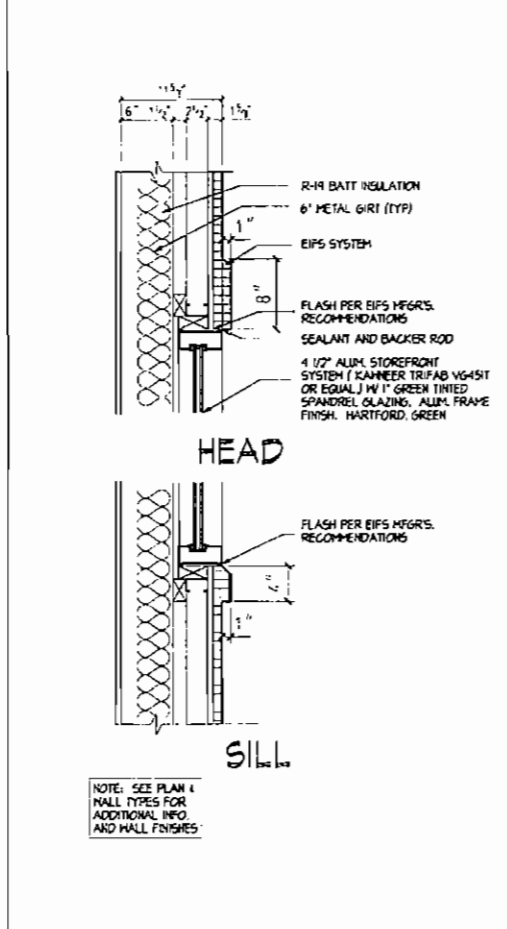
- PROVIDE NON-REMOVABLE PINS AT EXTERIOR DOORS (UNO)
- CAULK GORE AT INTERIOR, EXTERIOR PERIMETER OF FRAMES IN EXTERIOR WALLS
- PROVIDE SORT FILLER MATERIAL INSIDE METAL FRAME TO ACCOMMODATE ATTACHMENT OF WEATHER STRIPPING & METAL DRIP
- ALL THRESHOLDS TO BE ADA COMPLIANT. THE FINISHED FLOOR ELEVATION ON BOTH SIDES OF A DOOR SHALL NOT BE MORE THAN 1/2" LOWER THAN THE THRESHOLD OF THE DOORWAY
- SEE STRUCTURAL DRAWINGS FOR REINFORCING AT DOOR HEADS
- FILL JAMB & HEADER SIDES W/ INSULATION (IF WALLS SCHED. TO RECEIVE INSULATION)
- MAXIMUM DOOR OPENING HEIGHTS (DOORS SEC. SECTION 1008.2.1)
 - A 15 LB FORCE SHALL RELEASE A LATCH
 - A 30 LB FORCE SHALL SET DOOR IN MOTION
 - A 15 LB FORCE SHALL SPRING DOOR FULLY OPEN
- PAINT ALL CLOSERS SCHEDULED TO BE FINISHED IN FRAME GOAT FINISH
- ALL DOORS PROVIDED WITH LATCHING HARDWARE SHALL BE EQUIPPED WITH SHOCK-EFFORT, NON GRASP HARDWARE (IE LEVER - UNLESS PROVIDED WITH HANDLE HARDWARE)
- LEVER & PULL HARDWARE SHOULD BE POSITIONED BETWEEN 36" AND 44" ABOVE THE FINISHED FLOOR
- PROVIDE 5/16" DIA. IN COMPLIANCE WITH SPECIAL LOCKING ARRANGEMENT AT MAIN EXTERIOR DOORS PER 2011 IBC SECTION 1008.1.6.3

LOCK FUNCTIONS

- SET 1: PASSAGE: SARGENT DL 15 TO MU 260
 SET 2: PRIVACY: SARGENT DL 65 TO MU 260
 SET 3: UNIT ENTRANCE: SARGENT 14-15015 KP 260
 SET 4: ALUMINUM ENTRANCE PIVT KINGS, VON DUPREY PUSH BAR CLOSER: SARGENT 351 25-0 260
 SET 5: STOREROOM CLOSER: SARGENT 65504 280

DETAIL SCALE: 1 1/2" = 1'-0" 19

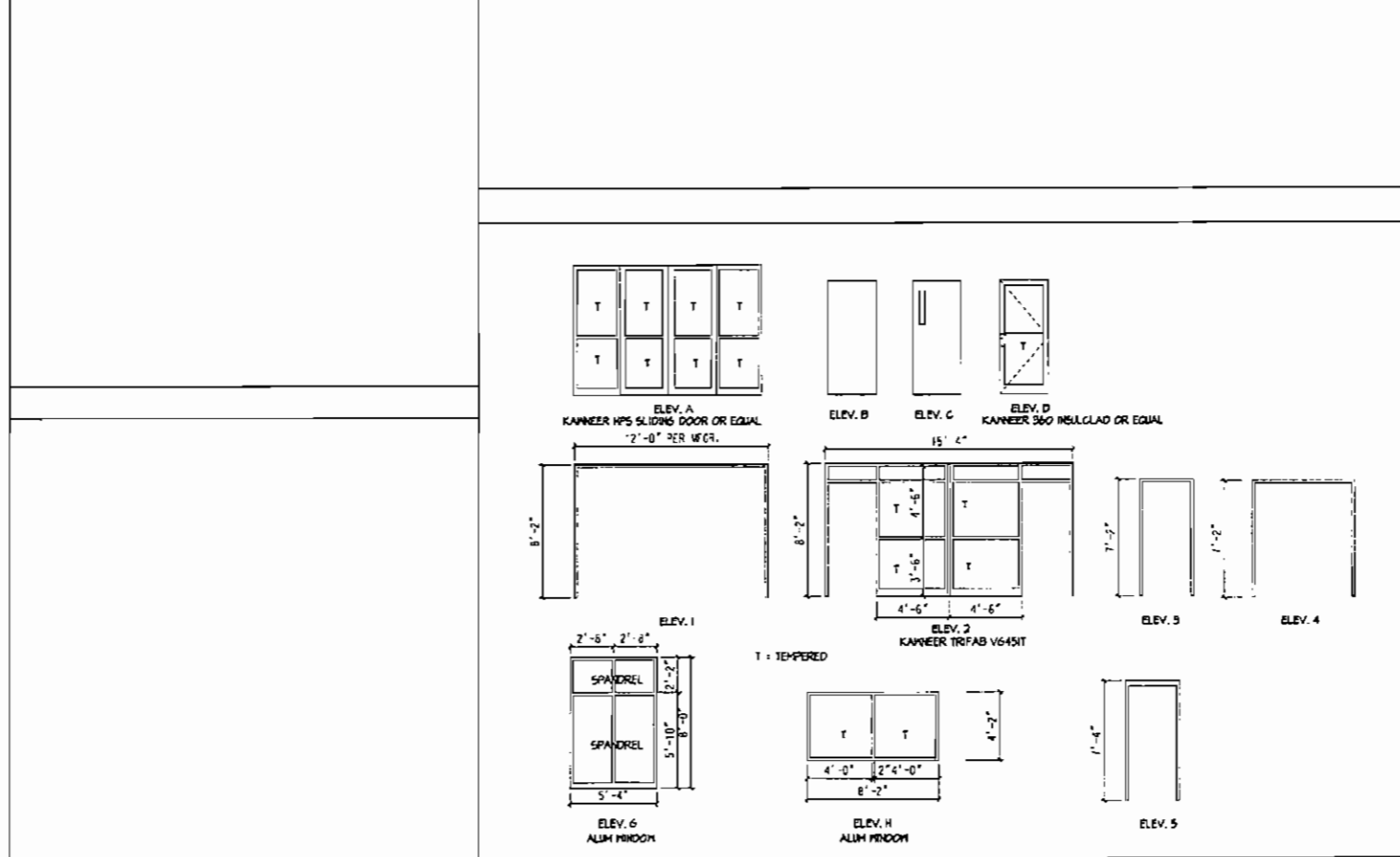
DETAIL SCALE: 1 1/2" = 1'-0" 15



DETAIL SCALE: 1 1/2" = 1'-0" 17

DETAIL SCALE: 1 1/2" = 1'-0" 13

DOOR, FRAME AND HARDWARE SCHEDULE SCALE: NTS 03



DETAIL SCALE: 1/8" = 1'-0" 05

ADW
 Architects, p.a.
 ADW Architects, p.a.
 1401 West Morehead Street, Suite 100
 Charlotte, NC 28208
 704.379.1919 Fax 704.379.1920
 www.adwarchitects.com

Ballantyne Commons
 Storage Facility
dmi
 CHARLOTTE, NC

FOR PRICING ONLY

DOOR AND WINDOW SCHEDULE

DATE: 05/09/07 JOB NO. 07031
 REVISIONS:
 NO. DATE DESCRIPTION

SHEET NUMBER
A600
 of Total



Architects, p.a.

ADW Architects, p.a.
 1401 West Morehead Street, Suite 100
 Charlotte, NC 28208
 704.379.1919 Fax 704.379.1920
 www.adwarchitects.com

Ballantyne Commons
 Storage Facility

dmi

CHARLOTTE, NC

FOR PRICING
 ONLY

REFLECTED
 CEILING
 PLAN

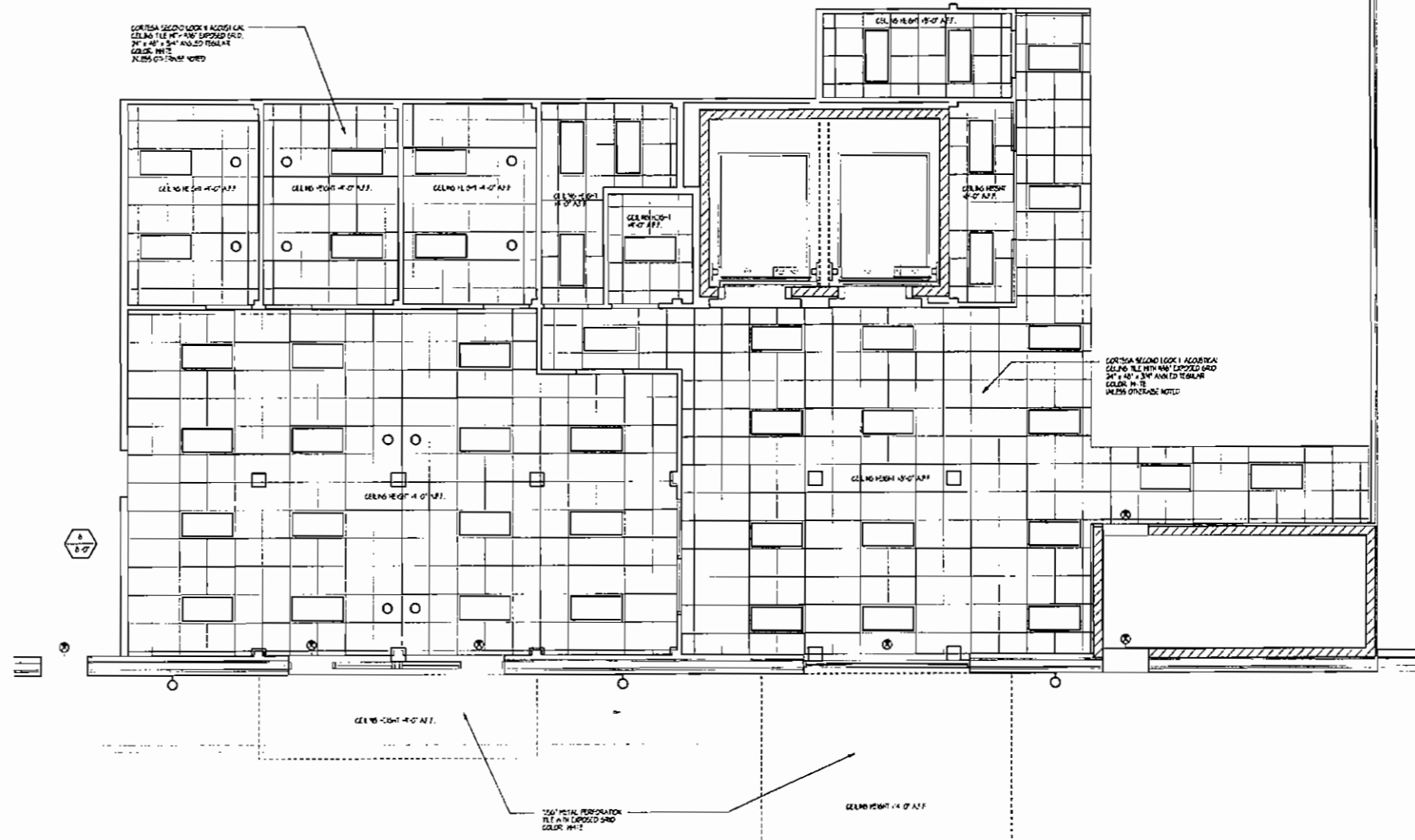
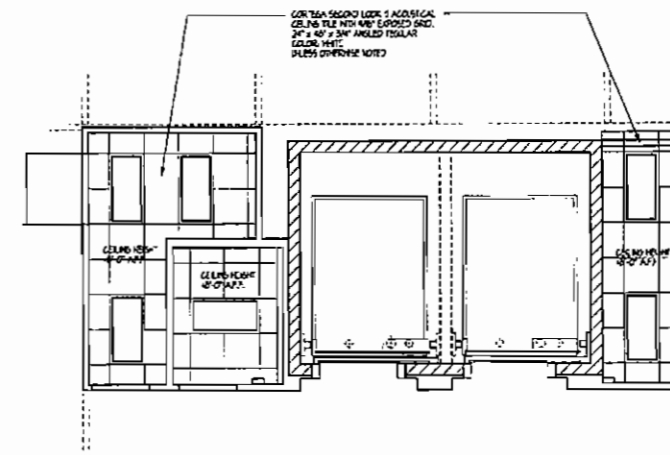
DATE: 05/09/07 JOB NO. 07031

REVISIONS:
 NO. DATE DESCRIPTION:

SHEET NUMBER

A800

of Total



DETAIL SCALE: 1/8" = 1'-0" 20

DETAIL SCALE: 1/8" = 1'-0" 19

DETAIL SCALE: 1/8" = 1'-0" 18

DETAIL SCALE: 1/8" = 1'-0" 17