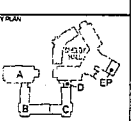


SCIENCE & ENGINEERING COMPLEX - PHASE I
BID PACKAGE #2
 THE UNIVERSITY OF ALABAMA, TUSCALOOSA, ALABAMA
 UA PROJECT # 254-04-095 & UTL-06-077 / RC # 2006420



DAVIS ARCHITECTS INC.
 100 UNIVERSITY BLVD., SUITE 1000
 TUSCALOOSA, AL 35602
 PHONE: 205-785-1000
 FAX: 205-785-1001
 WWW.DAVISARCHITECTS.COM



SECTIONS

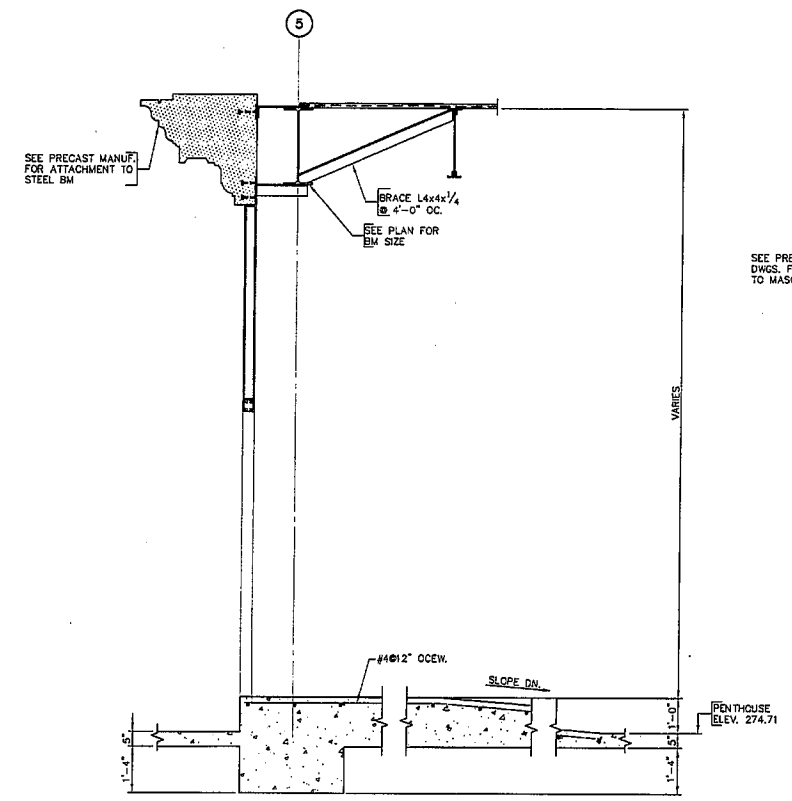
AUGUST 20, 2007

100% SERVICE C

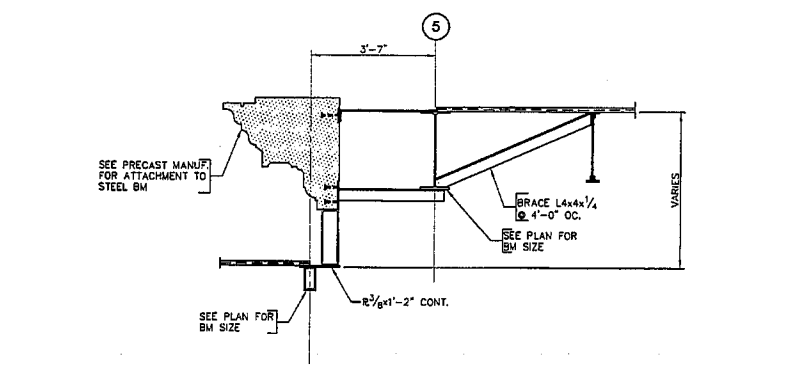
MTG PBY KLO

3462

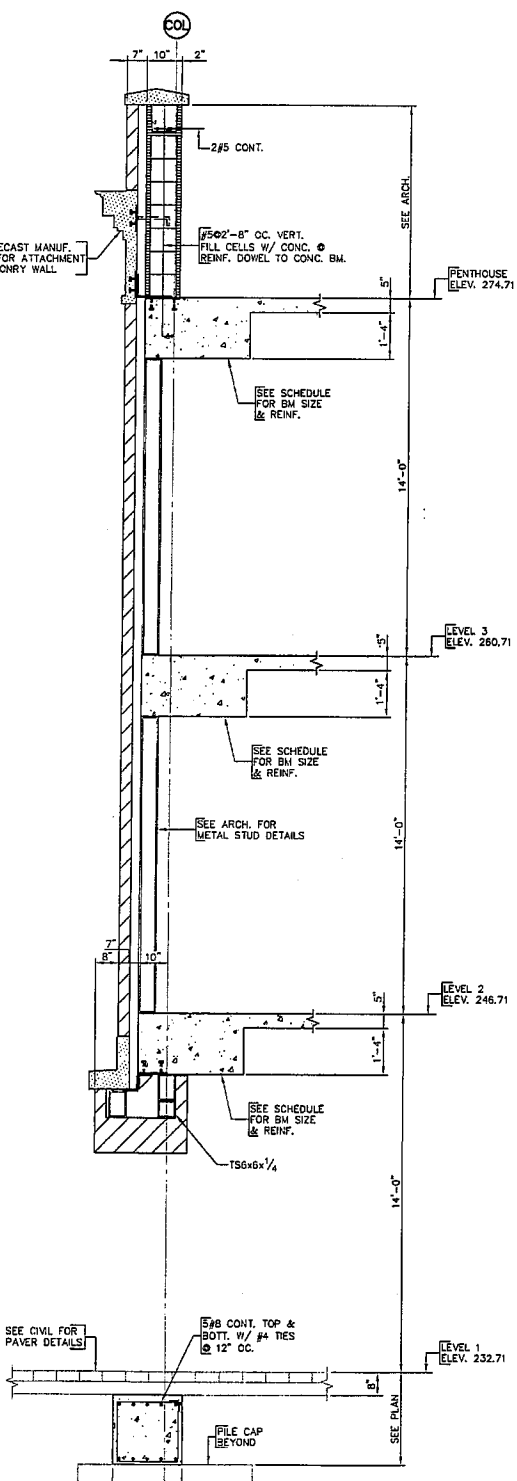
S5.5 58
 457



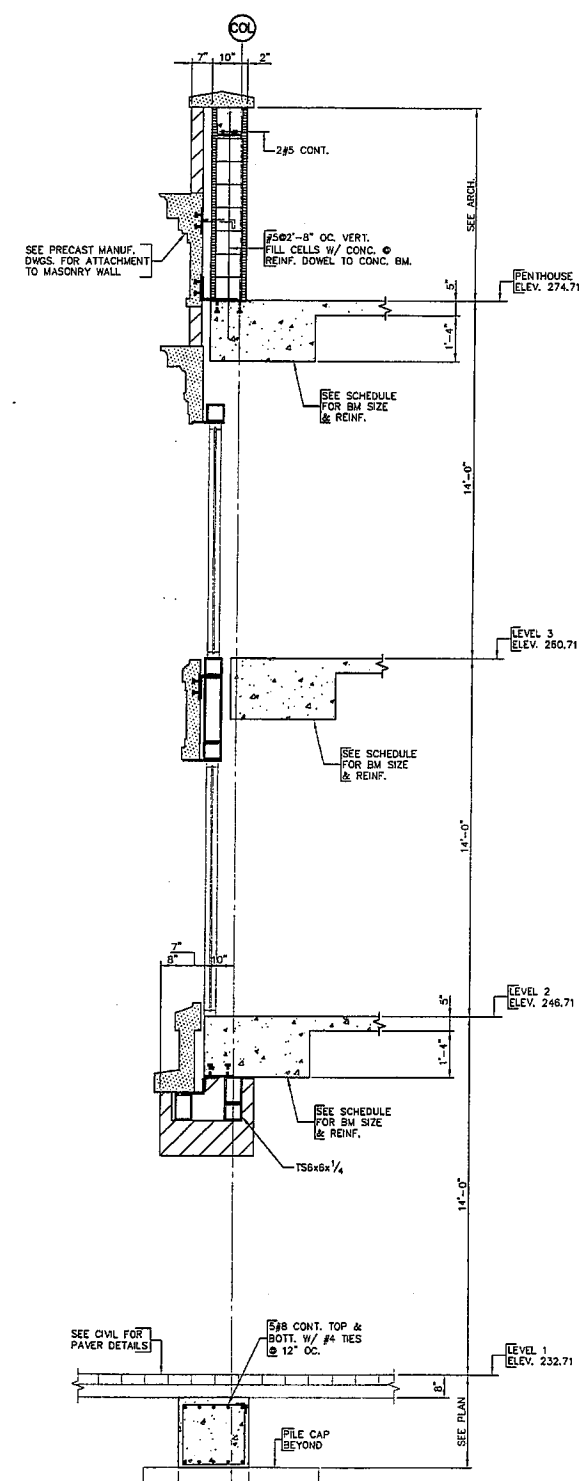
SECTION 1
 S5.5 1/2" = 1'-0"



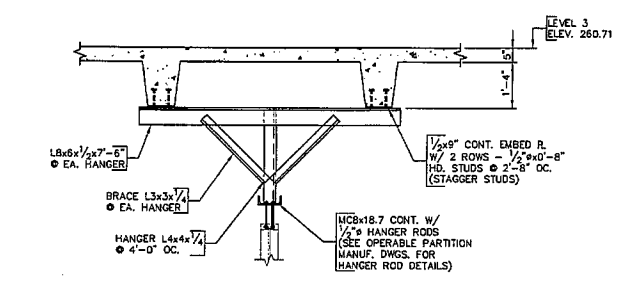
SECTION 2
 S5.5 1/2" = 1'-0"



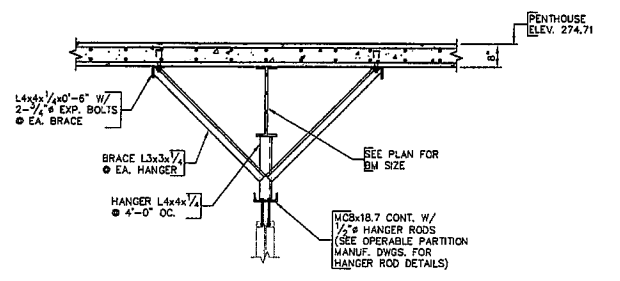
SECTION 3
 S5.5 1/2" = 1'-0"



SECTION 4
 S5.5 1/2" = 1'-0"



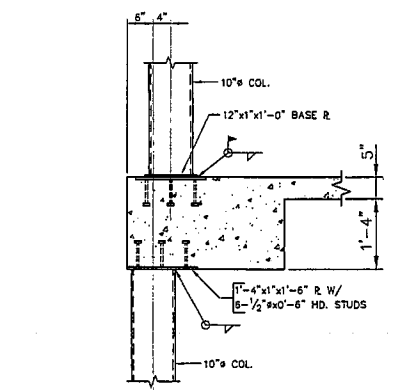
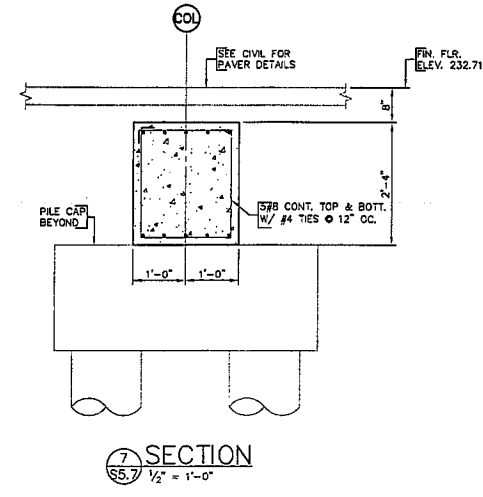
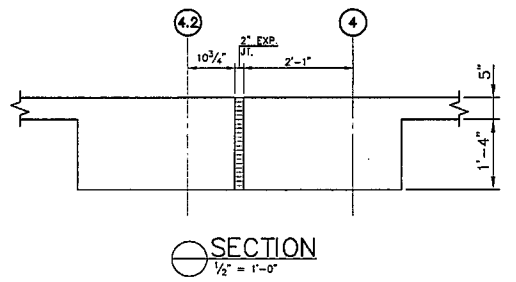
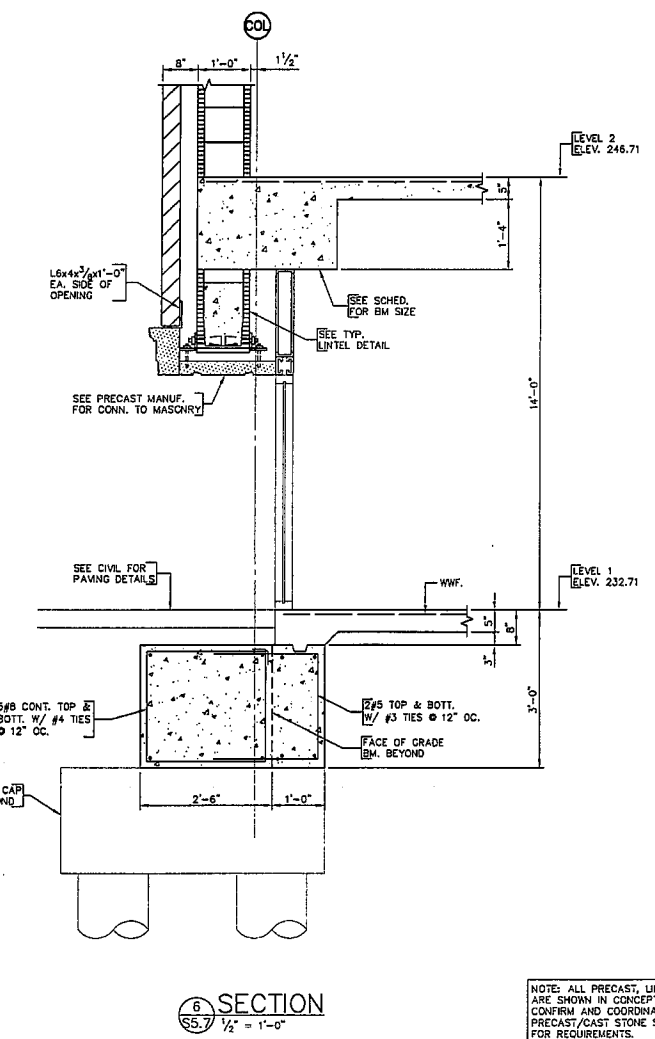
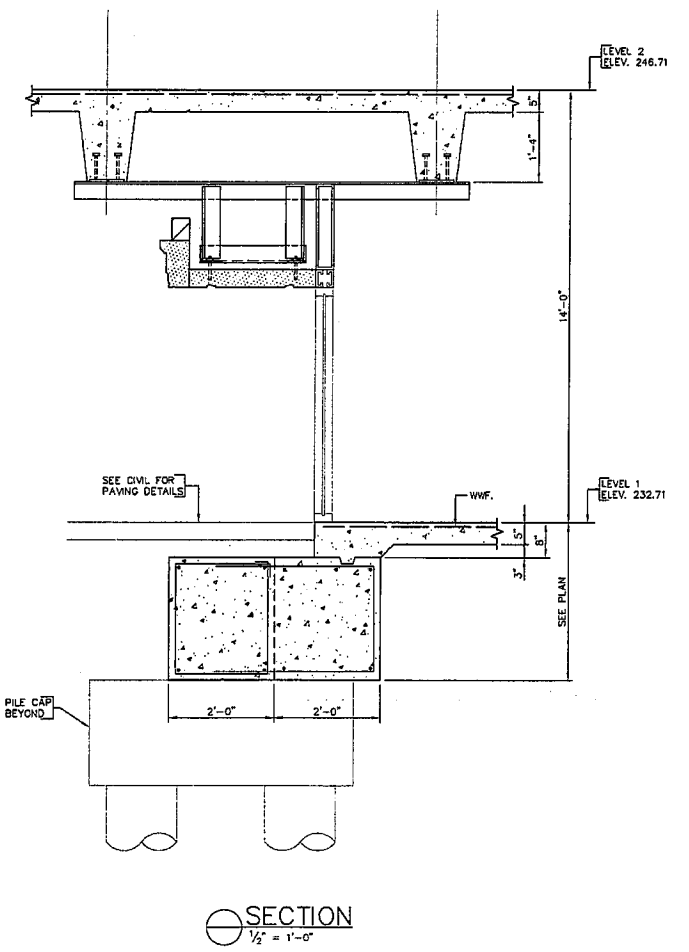
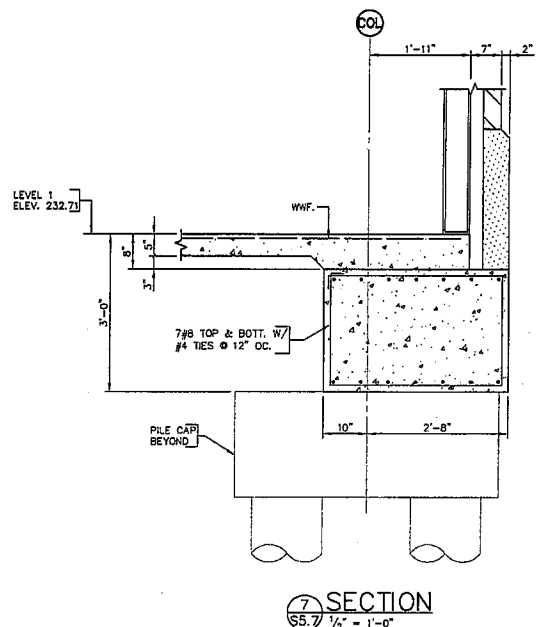
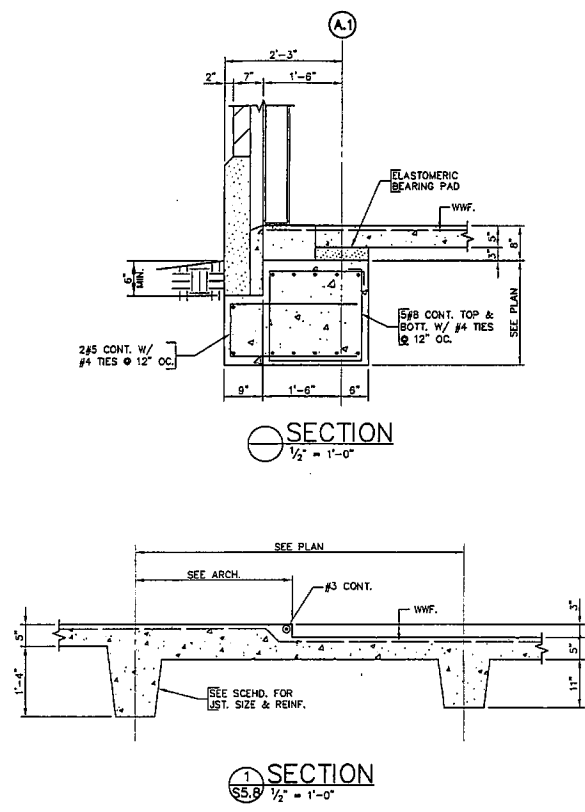
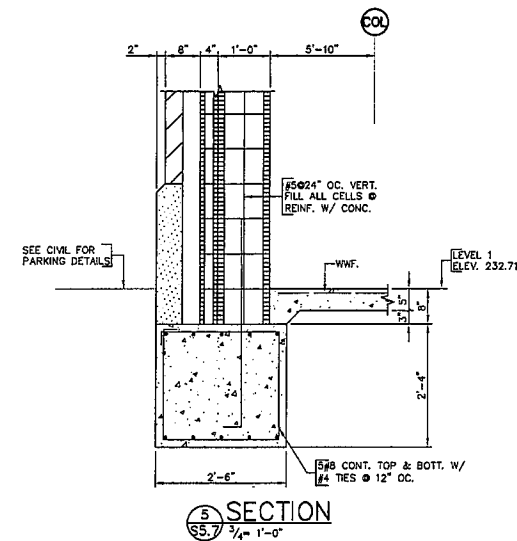
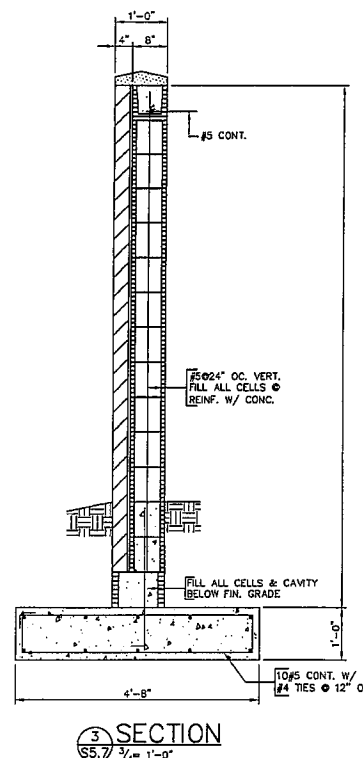
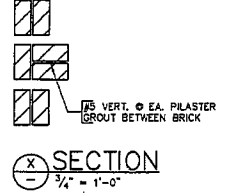
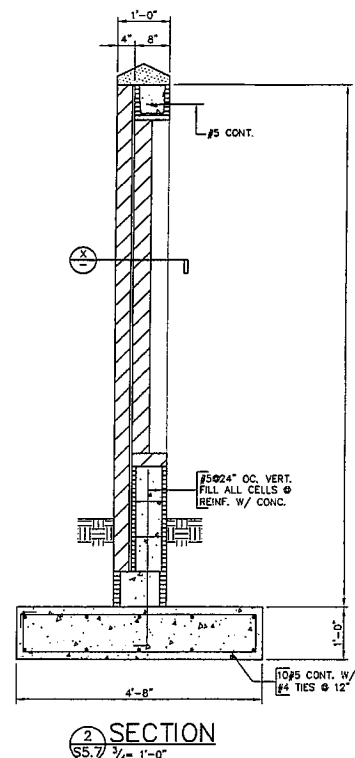
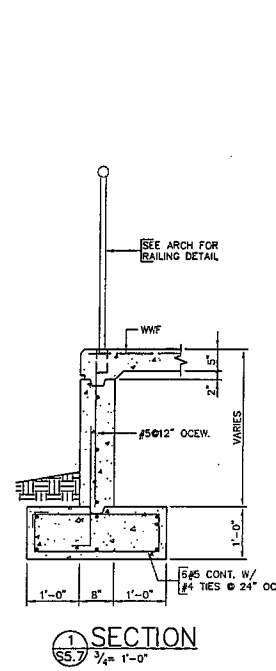
SECTION 5
 S5.5 1/2" = 1'-0"



SECTION 6
 S5.5 1/2" = 1'-0"

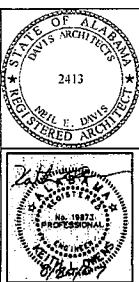
NOTE: ALL PRECAST, LIMESTONE, CAST STONE CONNECTIONS ARE SHOWN IN CONCEPT ONLY. ACTUAL CONDITIONS MAY VARY. CONFIRM AND COORDINATE WITH APPROVED ENGINEER. PRECAST/CAST STONE SHOP DRAWINGS. SEE SPECIFICATIONS FOR REQUIREMENTS.





TYPICAL CONCRETE BM TO STEEL COLUMN CONN. DETAIL

NOTE: ALL PRECAST, LIMESTONE, CAST STONE CONNECTIONS ARE SHOWN IN CONCEPT ONLY. ACTUAL CONDITIONS MAY VARY. CONFIRM AND COORDINATE WITH APPROVED ENGINEERED PRECAST/CAST STONE SHOP DRAWINGS. SEE SPECIFICATIONS FOR REQUIREMENTS.



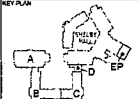
SCIENCE & ENGINEERING COMPLEX - PHASE I
 BID PACKAGE #2
 THE UNIVERSITY OF ALABAMA, TUSCALOOSA, ALABAMA
 UA PROJECT # 254-04-095 & UTL-06-077/ BC # 2006420



DAVIS ARCHITECTS



DAVIS ARCHITECTS, INC.



SECTIONS

AUGUST 20, 2007

100% SERVICE C

MTG PBT KLO

3462

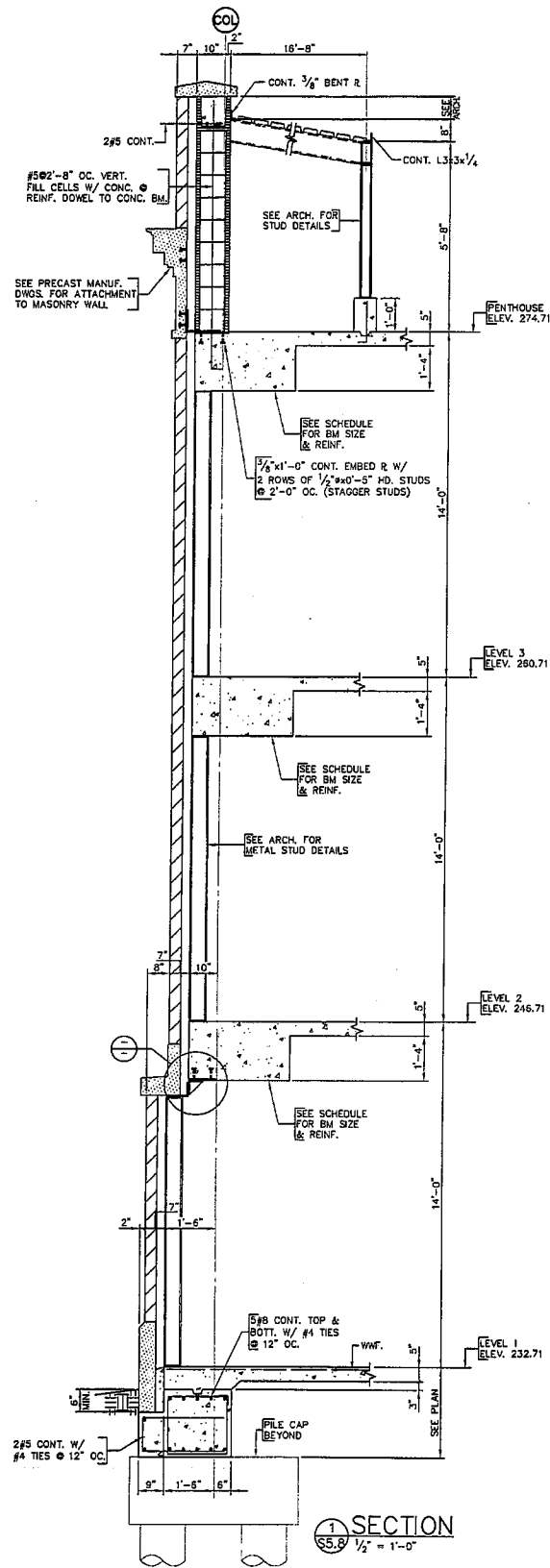
S5.7

50

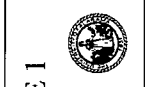
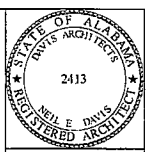
457



To order plans, go to www.ldirepro.com



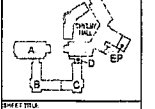
NOTE: ALL PRECAST, LIMESTONE, CAST STONE CONNECTIONS ARE SHOWN IN CONCEPT ONLY. ACTUAL CONDITIONS MAY VARY. CONFIRM AND COORDINATE WITH APPROVED ENGINEERED PRECAST/CAST STONE SHOP DRAWINGS. SEE SPECIFICATIONS FOR REQUIREMENTS.



SCIENCE & ENGINEERING COMPLEX - PHASE I
 BID PACKAGE #2
 THE UNIVERSITY OF ALABAMA; TUSCALOOSA, ALABAMA
 UA PROJECT # 231-01-095 & UTL-06-077/ BC # 2006420



DAVIS ARCHITECTS
 110 SOUTH CHERRY STREET, SUITE 200
 TUSCALOOSA, ALABAMA 35604
 PHONE: 205-744-1100
 FAX: 205-744-1101
 WWW.DAVISARCHITECTS.COM



SECTIONS

AUGUST 20, 2007

100% SERVICE C

DESIGNED	MTG	PBY	KLD
----------	-----	-----	-----

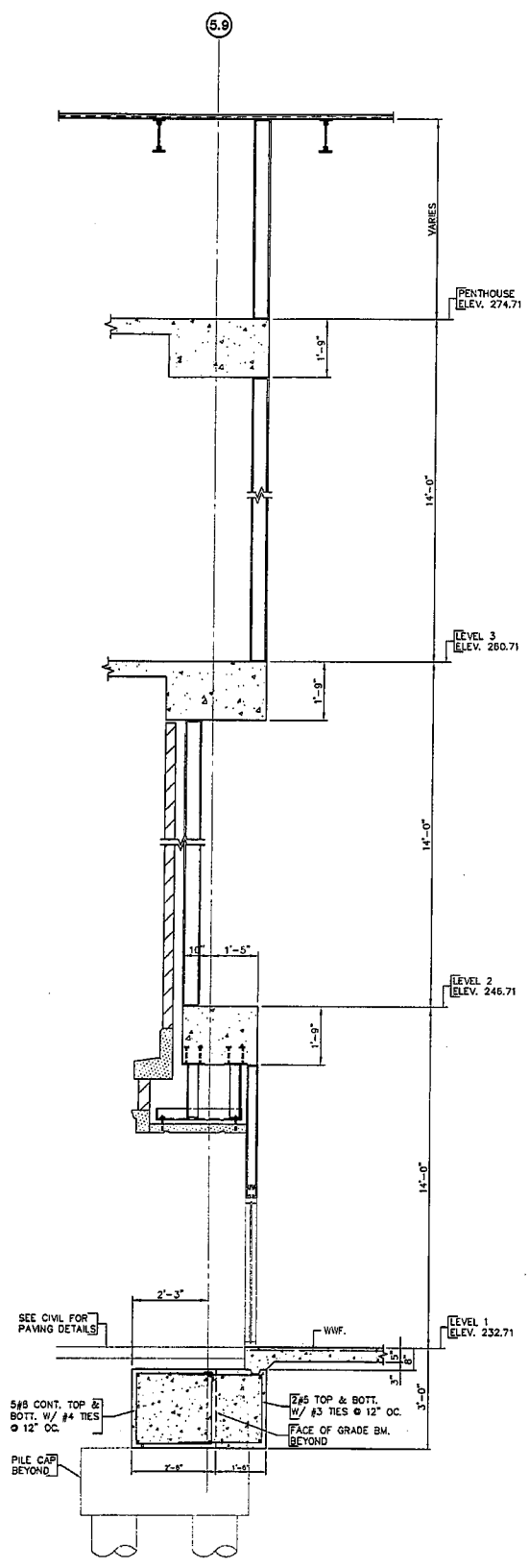
3462

NO. OF SHEETS	51
SHEET NO.	55.8
NO. OF PAGES	457

To order plans, go to www.ldirepro.com

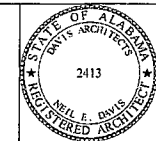


PLG-020W SECTION.dwg, TUB 23A PD-27/2007 4:17 PM PBY/ty/colav



SECTION
S5.9
1/2" = 1'-0"

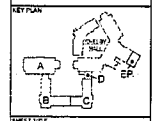
NOTE: ALL PRECAST, LIMESTONE, CAST STONE CONNECTIONS ARE SHOWN IN CONCEPT ONLY. ACTUAL CONDITIONS MAY VARY. CONFIRM AND COORDINATE WITH APPROVED ENGINEERED PRECAST/CAST STONE SHOP DRAWINGS. SEE SPECIFICATIONS FOR REQUIREMENTS.



SCIENCE & ENGINEERING COMPLEX - PHASE I
 BID PACKAGE #2
 THE UNIVERSITY OF ALABAMA; TUSCALOOSA, ALABAMA
 UA PROJECT # 254-04-095 & UTL-06-077/ BC # 2006420



DAVIS ARCHITECTS
 240 S. ARTHUR ST., 101
 TUSCALOOSA, ALABAMA 35602
 TEL: 205/756-1234 FAX: 205/756-1234
 WWW.DAVISARCHITECTS.COM



SECTIONS

AUGUST 20, 2007

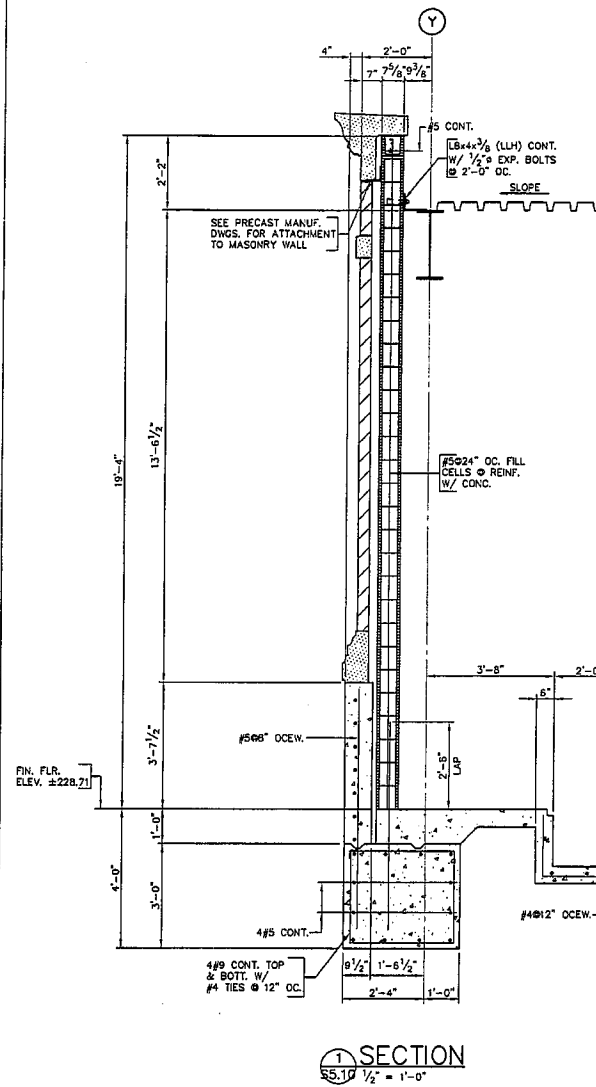
100% SERVICE C

MTG PBT KLO

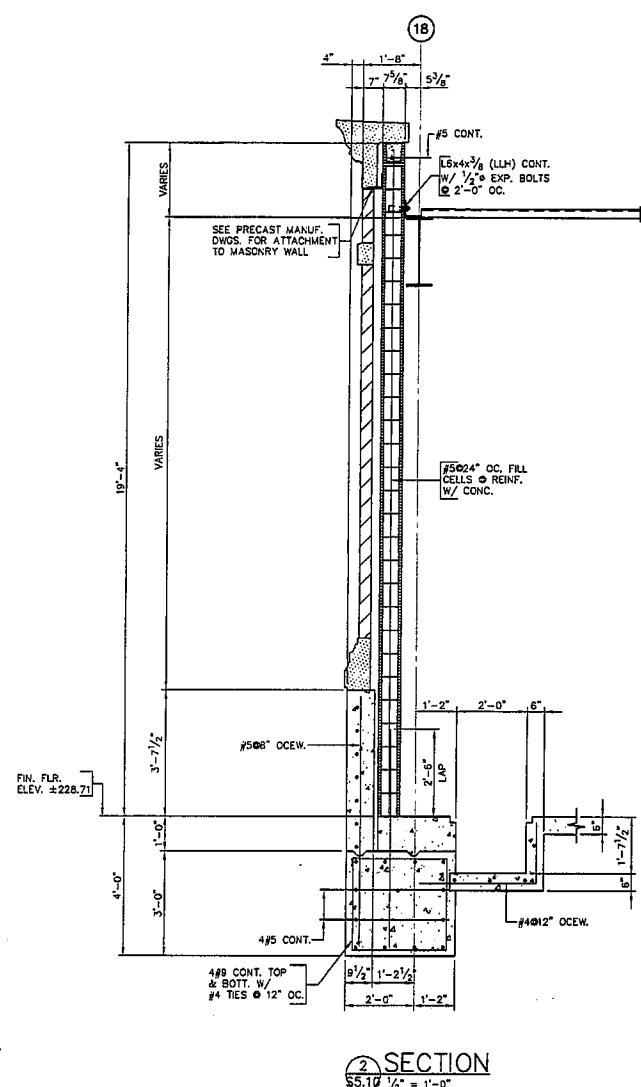
3462

S5.9 62
 457

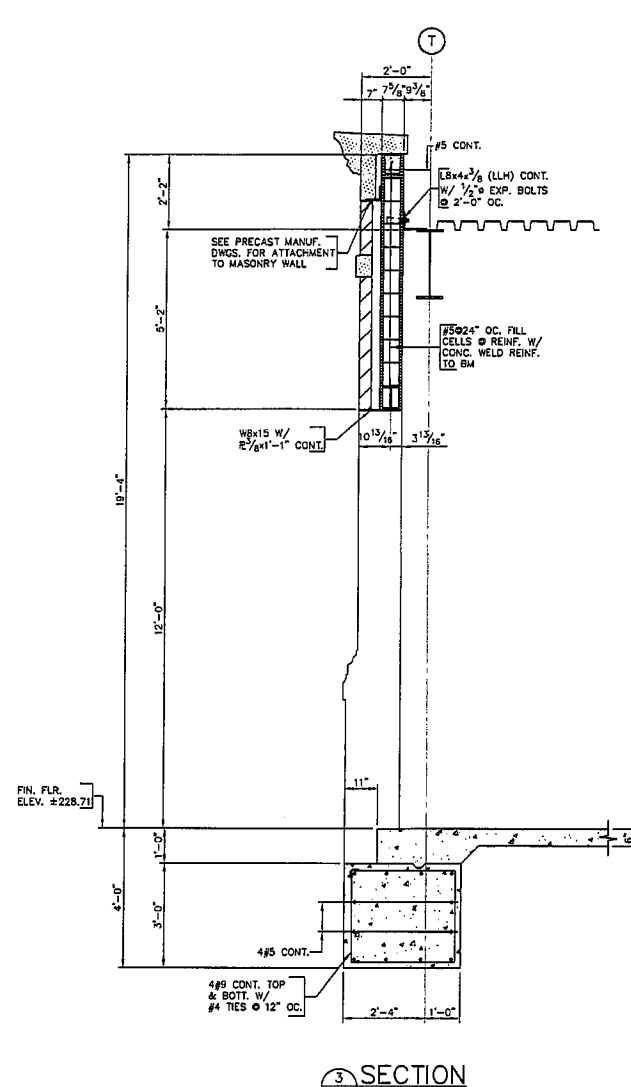




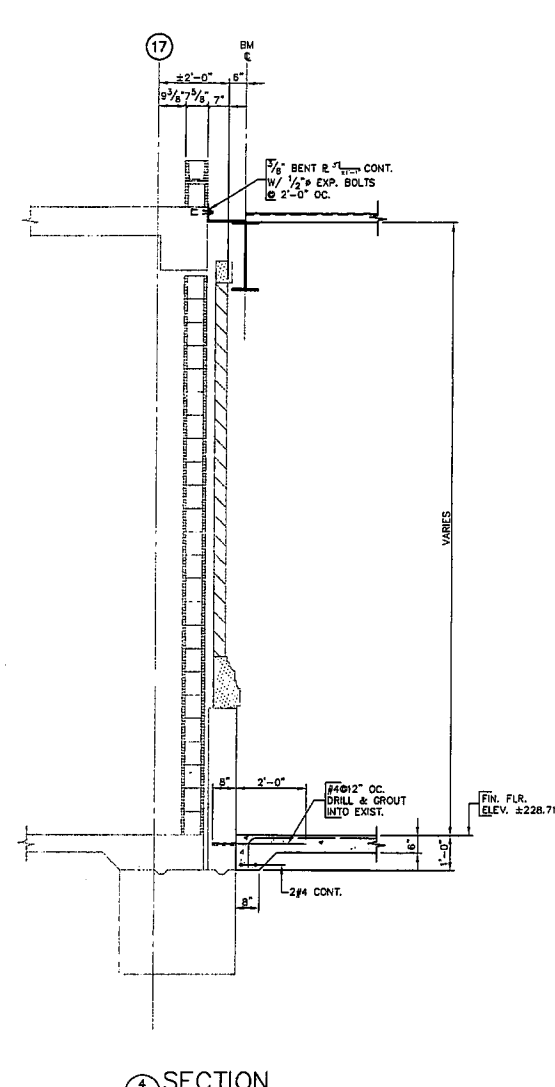
SECTION 1
S5.10 1/2" = 1'-0"



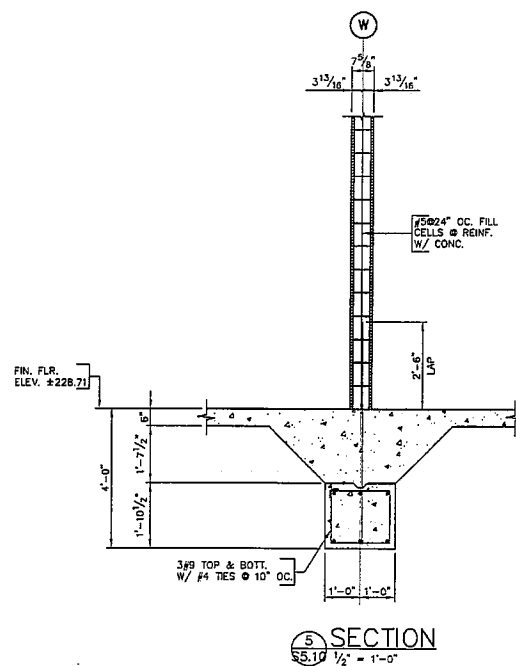
SECTION 2
S5.10 1/2" = 1'-0"



SECTION 3
S5.10 1/2" = 1'-0"

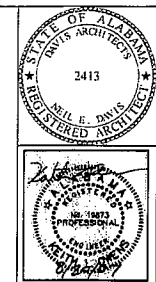


SECTION 4
S5.10 1/2" = 1'-0"



SECTION 5
S5.10 1/2" = 1'-0"

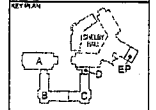
NOTE: ALL PRECAST, LIMESTONE, CAST STONE CONNECTIONS ARE SHOWN IN CONCEPT ONLY. ACTUAL CONDITIONS MAY VARY. CONFIRM AND COORDINATE WITH APPROVED ENGINEERED PRECAST/CAST STONE SHOP DRAWINGS. SEE SPECIFICATIONS FOR REQUIREMENTS.



SCIENCE & ENGINEERING COMPLEX - PHASE I
 BID PACKAGE #2
 THE UNIVERSITY OF ALABAMA, TUSCALOOSA, ALABAMA
 UA PROJECT # 254-04-095 & TULL-06-077/BC # 2006420



DAVIS ARCHITECTS
 100 UNIVERSITY BLVD, SUITE 200
 TUSCALOOSA, AL 35602
 TEL: 205/756-1234
 FAX: 205/756-1235
 WWW.DAVISARCHITECTS.COM



SECTIONS

AUGUST 20, 2007

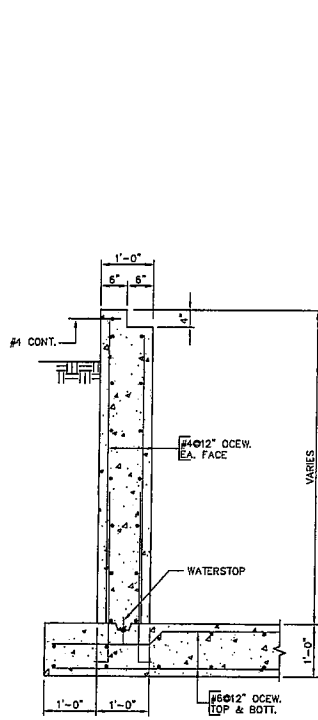
100% SERVICE C

MTG PBY KLO

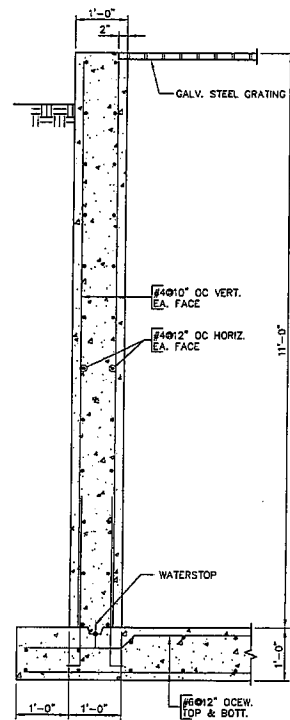
3462

S5.10 63
 457

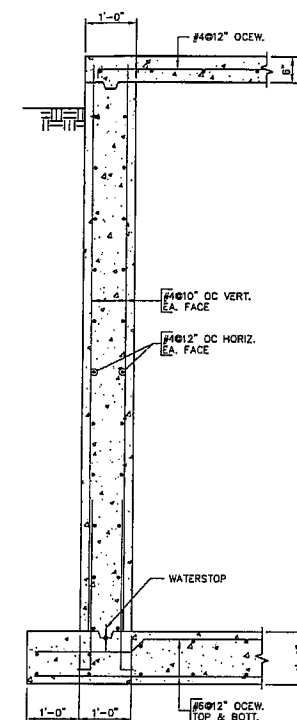




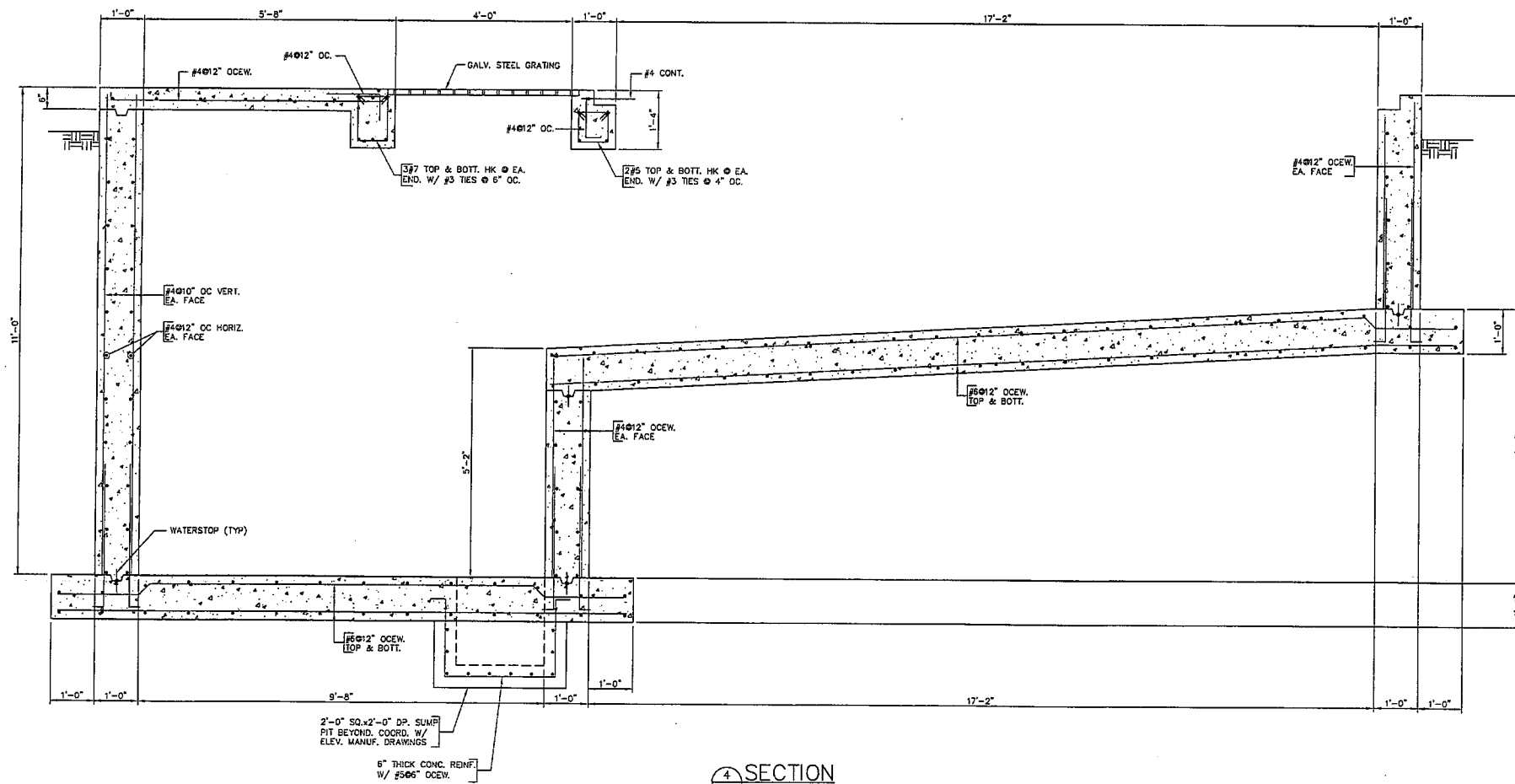
SECTION 1
S5.11 3/4" = 1'-0"



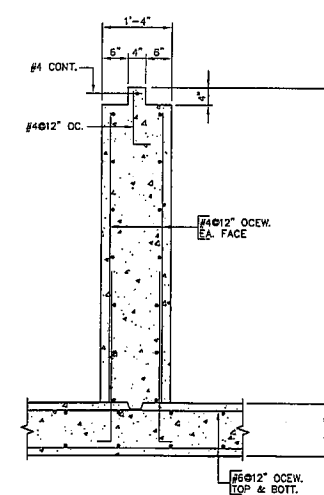
SECTION 2
S5.11 3/4" = 1'-0"



SECTION 3
S5.11 3/4" = 1'-0"



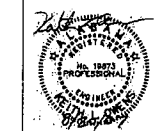
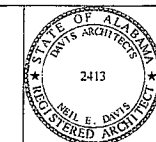
SECTION 4
S5.11 3/4" = 1'-0"



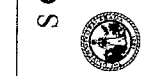
SECTION 5
S5.11 3/4" = 1'-0"

2'-0" SQ. x 2'-0" DP. SUMP PIT BEYOND. COORD. W/ ELEV. MANUF. DRAWINGS
6" THICK CONC. REINF. W/ #500 OCEW.

To order plans, go to www.ldirepro.com

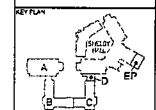


SCIENCE & ENGINEERING COMPLEX - PHASE I
 BID PACKAGE #2
 THE UNIVERSITY OF ALABAMA: TUSCALOOSA, ALABAMA
 UA PROJECT # 254-04-093 & UTL-06-0777 BC # 2006420



DAVIS ARCHITECTS

DAVIS ARCHITECTS, INC.
 111 DUNN STREET, SUITE 200
 TUSCALOOSA, ALABAMA 35401
 PHONE: 205.744.1234
 FAX: 205.744.1235
 WWW.DAVISARCH.COM



SECTIONS

AUGUST 20, 2007

100% SERVICE C

MTG PBY KLO

3462

S5.11 64

457

