



SPECIAL INSPECTIONS OF MASONRY CONSTRUCTION

INSPECTION TASK	FREQUENCY OF INSPECTION		REFERENCE FOR CRITERIA	
	CONTINUOUS DURING TASK LISTED	PERIODICALLY DURING TASK LISTED	IBC SECTION	ACI 530/ASCE 5/TMS 402 ACI 530.1/ASCE 5/TMS 502
1 AS MASONRY CONSTRUCTION BEGINS, THE FOLLOWING SHALL BE VERIFIED TO ENSURE COMPLIANCE A PROPORTIONS OF SITE PREPARED MORTAR B CONSTRUCTION OF MORTAR JOINTS C LOCATION OF REINFORCEMENT AND CONNECTORS D PRESTRESSING TECHNIQUE E GRADE AND SIZE OF PRESTRESSING TENDONS AND ANCHORAGES	-	X X X X X	-	ART 2.6A ART 3.3B ART 3.6B ART 3.4, 3.6A ART 2.4B, 2.4H
2 THE INSPECTION PROGRAM SHALL VERIFY A SIZE AND LOCATION OF STRUCTURAL ELEMENTS B TYPE, SIZE AND LOCATION OF ANCHORS, INCLUDING OTHER DETAILS OF ANCHORAGE OF MASONRY TO STRUCTURAL MEMBERS, FRAMES OR OTHER CONSTRUCTION C SPECIFIED SIZE, GRADE AND TYPE OF REINFORCEMENT D WELDING OF REINFORCING BARS E PROTECTION OF MASONRY DURING COLD WEATHER (TEMPERATURE BELOW 40°F) OR HOT WEATHER (TEMPERATURE ABOVE 90°F) F APPLICATION AND MEASUREMENT OF PRESTRESSING FORCE G ENSURE COMPLIANCE	X	X X X X X	SEC 1.2.2(e), 2.1.4, 3.1.6 SEC 1.1.2 SEC 2.1.10.6.2, 3.2.3.4(b) SEC 2.104.3, 2.104.4	ART 3.3C ART 2.4, 3.4 ART 1.8C, 1.8D ART 3.6B
3 PRIOR TO GROUTING, THE FOLLOWING SHALL BE VERIFIED TO ENSURE COMPLIANCE A GROUT SPACE IS CLEAN B PLACEMENT OF REINFORCEMENT AND CONNECTORS AND PRESTRESSING TENDONS AND ANCHORAGE C PROPORTIONS OF SITE-PREPARED GROUT AND PRESTRESSING GROUT FOR BONDED TENDONS D CONSTRUCTION OF MORTAR JOINTS	-	X X X X	-	ART 3.2D ART 3.4 ART 2.6B ART 3.3B
4 GROUT PLACEMENT SHALL BE VERIFIED TO ENSURE COMPLIANCE WITH CODE AND CONSTRUCTION DOCUMENT PROVISIONS A GROUTING OF PRESTRESSING BONDED TENDONS	X	-	-	ART 3.5 ART 3.6C
5 PREPARATION OF ANY REQUIRED GROUT SPECIMENS, MORTAR SPECIMENS AND/OR PRISMS SHALL BE OBSERVED	X	-	SEC 2.105.2.2 2.105.3	ART 1.4
6 COMPLIANCE WITH REQUIRED INSPECTION PROVISIONS OF THE CONSTRUCTION DOCUMENTS AND THE APPROVED SUBMITTALS SHALL BE VERIFIED	-	X	-	ART 1.5

SPECIAL INSPECTIONS OF STEEL CONSTRUCTION

VERIFICATION AND INSPECTION	CONTINUOUS	PERIODIC	REFERENCED STANDARD	IBC REFERENCE
1 MATERIAL VERIFICATION OF HIGH-STRENGTH BOLTS, NUTS, AND WASHERS A IDENTIFICATION MARKINGS TO CONFORM TO ASTM STANDARDS SPECIFIED IN THE APPROVED CONSTRUCTION DOCUMENTS B MANUFACTURER'S CERTIFICATE OF COMPLIANCE REQUIRED	-	X X	APPLICABLE ASTM MATERIAL SPECIFICATIONS, AISC ASD, SECTION A3.4, AISC LRFD, SECTION A3.3	-
2 INSPECTION OF HIGH-STRENGTH BOLTING A BEARING-TYPE CONNECTIONS B SLIP-CRITICAL CONNECTIONS	X	X X	AISC LRFD SECTION M2.5	1704.3.3
3 MATERIAL VERIFICATION OF STRUCTURAL STEEL A IDENTIFICATION MARKINGS TO CONFORM TO ASTM STANDARDS SPECIFIED IN THE APPROVED CONSTRUCTION DOCUMENTS B MANUFACTURER'S CERTIFIED MILL TEST REPORTS	-	-	ASTM A6 OR ASTM A992 ASTM A6 OR ASTM A992	1708.4
4 MATERIAL VERIFICATION OF WELD FILLER MATERIALS A IDENTIFICATION MARKINGS TO CONFORM TO AWS SPECIFICATION IN THE APPROVED CONSTRUCTION DOCUMENTS B MANUFACTURER'S CERTIFICATE OF COMPLIANCE	-	-	AISC, ASD, SECTION A3.6, AISC LRFD, SECTION A3.5	-
5 INSPECTION OF WELDING A STRUCTURAL STEEL 1) COMPLETE AND PARTIAL PENETRATION GROOVE WELDS 2) MULTI-PASS FILLET WELDS 3) SINGLE-PASS FILLET WELDS > 5/16" (7.9 mm) 4) SINGLE-PASS FILLET WELDS < 5/16" (7.9 mm) 5) FLOOR AND DECK WELDS B REINFORCING STEEL 1) VERIFICATION OF WELDABILITY OF REINFORCING STEEL OTHER THAN ASTM A 706 2) REINFORCING STEEL-RESISTING FLEXURAL AND AXIAL FORCES IN INTERMEDIATE AND SPECIAL MOMENT FRAMES, AND BOUNDARY ELEMENTS OF SPECIAL REINFORCED CONCRETE SHEAR WALLS, AND SHEAR REINFORCEMENT 3) SHEAR REINFORCEMENT 4) OTHER REINFORCING STEEL	X X X X X	X X X X X	AWS D1.1 AWS D1.3 AWS D1.4 ACI 318.3.5.2	1704.3.1 1903.5.2
6 INSPECTION OF STEEL JOINT DETAILS FOR COMPLIANCE WITH APPROVED CONSTRUCTION DOCUMENTS A DETAILS SUCH AS BRACING AND STIFFENING B MEMBER LOCATIONS C APPLICATION OF JOINT DETAILS AT EACH CONNECTION	-	X	-	1704.3.2

REVISIONS

NO.	DATE	DESCRIPTION	BY
0	4-19-07	ISSUED FOR BIDD	RFB

COPYRIGHT 2006  
THIS DRAWING IS THE PROPERTY OF O'BRIENGERE AND IS NOT TO BE COPIED, REPRODUCED, OR TRANSMITTED IN ANY FORM OR BY ANY MEANS, ELECTRONIC OR MECHANICAL, WITHOUT SPECIALLY OBTAINED PERMISSION FROM O'BRIENGERE. THIS DOCUMENT IS NOT TO BE USED IN ANY OTHER PROJECT.



SEAL

Order Plans go to [www.lidirepro.com](http://www.lidirepro.com)

UGA BOARD OF REGENTS  
ATHENS, GA  
INSTRUCTIONAL PLAZA  
HVAC UPGRADE

STRUCTURAL BUILDING SPECIAL INSPECTIONS

SHEET TITLE

DESIGNED BY: RFB  
DRAWN BY: RAE  
CHECKED BY: RFB  
DATE: 3-26-07  
SCALE  
PROJECT NO.  
FILE NO.: 12557-39930S002

SHEET S-002

O'BRIENGERE  
2500 Atlanta Hwy., Suite 310  
Athens, GA 30606  
(706) 548-4881  
FAX (706) 548-4687



NO.	DATE	DESCRIPTION	BY
0	4-18-07	ISSUED FOR PERMITS	RAE

**COPYRIGHT 2006**  
 THIS DRAWING IS THE PROPERTY OF  
 O'BRIEN & GERE ENGINEERS, INC. AND IS  
 NOT TO BE REPRODUCED OR TRANSMITTED  
 IN ANY FORM OR BY ANY MEANS, ELECTRONIC  
 OR MECHANICAL, INCLUDING PHOTOCOPYING,  
 RECORDING, OR BY ANY INFORMATION  
 STORAGE AND RETRIEVAL SYSTEM, WITHOUT  
 EXPRESS WRITTEN PERMISSION FROM O'BRIEN  
 & GERE ENGINEERS, INC. ANY UNAUTHORIZED  
 REPRODUCTION OR USE OF THIS DRAWING IS  
 EXPRESSLY PROHIBITED HEREIN AND IS  
 NOT TO BE USED IN ANY OTHER PROJECT.

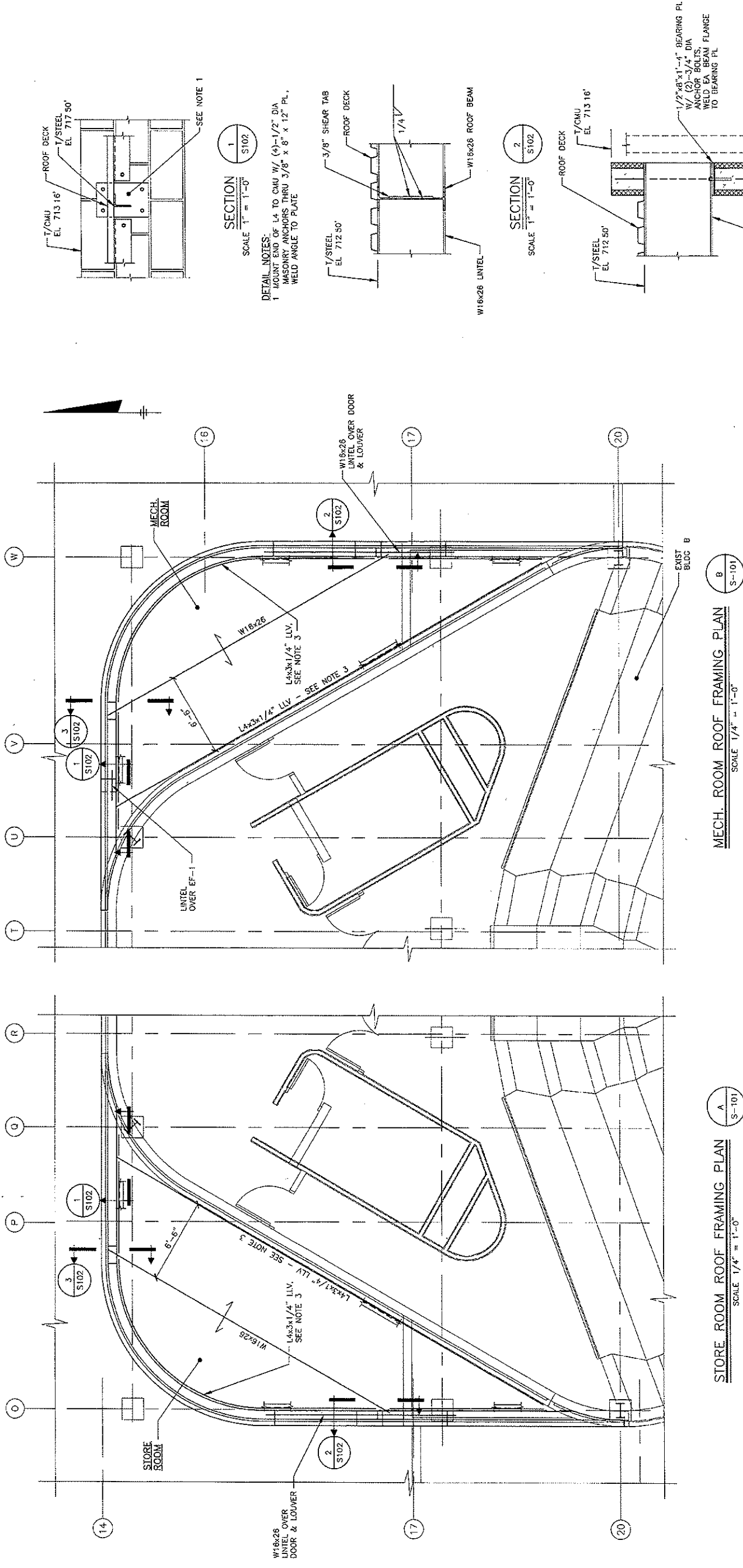
Order Plans go to [www.lidirepro.com](http://www.lidirepro.com)

**UGA BOARD  
 OF REGENTS  
 ATHENS, GA**  
**INSTRUCTIONAL  
 PLAZA  
 HVAC UPGRAD**

**STRUCTURAL  
 BUILDING  
 ROOF  
 FRAMING PLAN  
 SECTIONS & DETAILS**

SHEET TITLE  
 DESIGNED BY: RFB  
 DRAWN BY: RAE  
 CHECKED BY: RFB  
 DATE: 3-26-07  
 SCALE  
 REVISION:  
 PROJECT NO.: 12557-39930S102  
 FILE NO.: 12557-39930S102

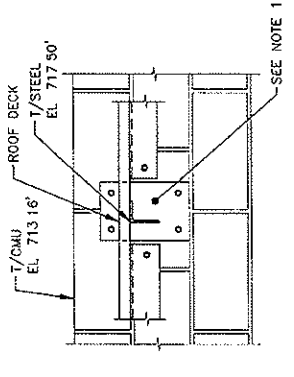
SHEET S-102  
**O'BRIEN & GERE**  
 2200 Atlanta Hwy., Suite 510  
 Athens, GA 30606  
 (706) 548-4831  
 FAX: (706) 548-6677



**MECH. ROOM ROOF FRAMING PLAN**  
 SCALE 1/4" = 1'-0"

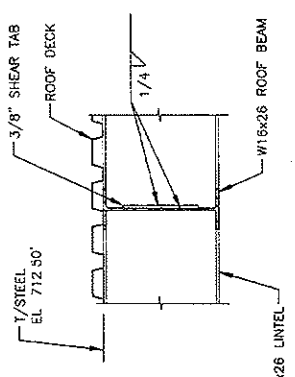
**STORE ROOM ROOF FRAMING PLAN**  
 SCALE 1/4" = 1'-0"

**PLAN NOTES:**  
 1 T/STEEL EL. 712.50' U.O.N.  
 2 ROOF DECK AS INDICATED ON SHEET S-001  
 3 ATTACH ANGLE TO BRICK VENEER & CMU AS  
 INDICATED ON SHEET S001 AT 2'-0" O.C.

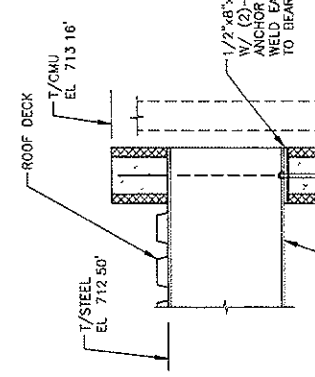


**SECTION 1**  
 SCALE 1" = 1'-0"  
 S102

**DETAIL NOTES:**  
 1 MOUNT END OF L4 TO CMU W/ (4)-1/2" DIA  
 MASONRY ANCHORS THRU 3/8" x 8" x 12" PL,  
 WELD ANGLE TO PLATE



**SECTION 2**  
 SCALE 1" = 1'-0"  
 S102



**SECTION 3**  
 SCALE 1" = 1'-0"  
 S102

