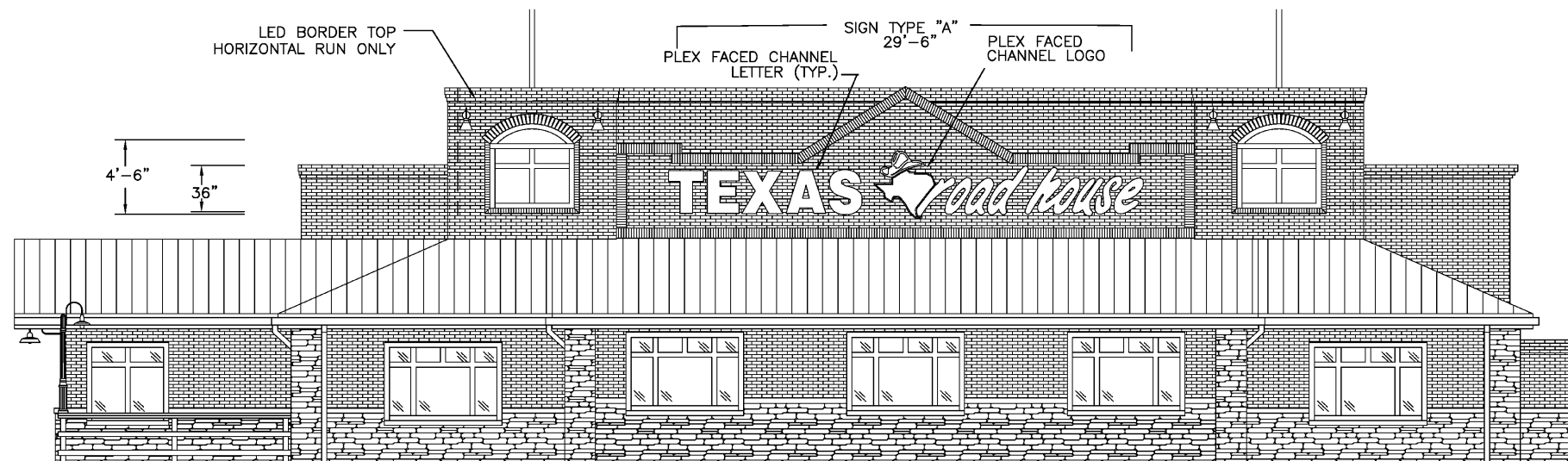
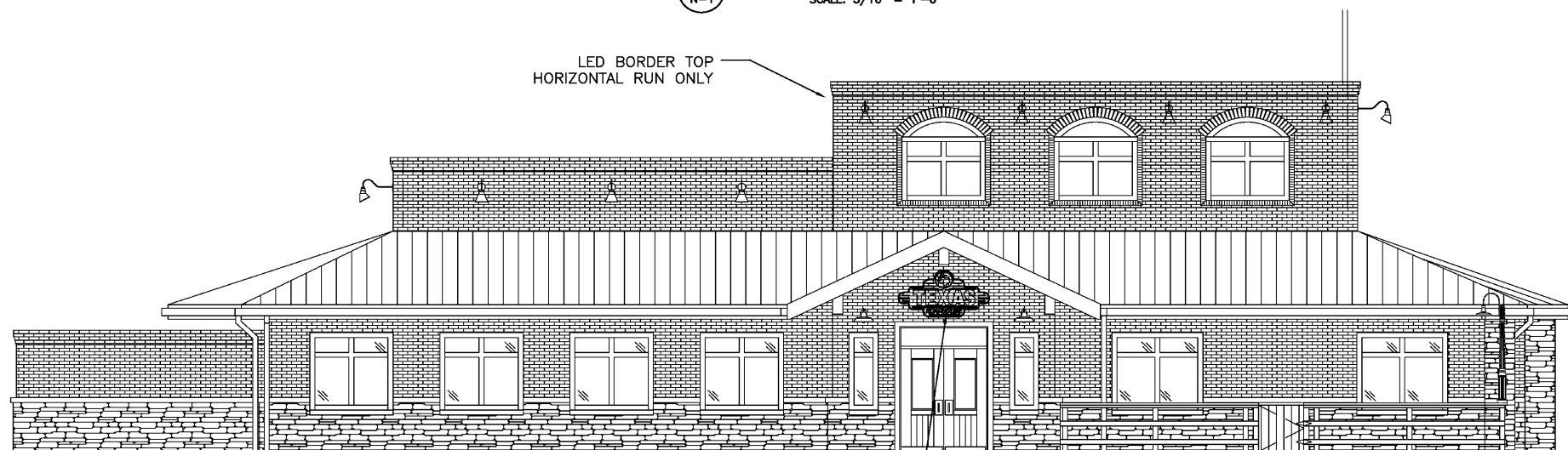


ALL DIMENSIONS TO BE VERIFIED IN FIELD



1 FRONT ELEVATION
N-1 SCALE: 3/16" = 1'-0"



2 LEFT SIDE ELEVATION
N-1 SCALE: 3/16" = 1'-0"



3 RIGHT SIDE ELEVATION
N-1 SCALE: 3/16" = 1'-0"

CONSTRUCTION SET NOTE:

THE FOLLOWING PAGES (DESIGN NO. N-010801, N1-N3) ARE PROVIDED BY FEDERAL SIGN TO RELAY SIGN PLACEMENT, SIGN CONSTRUCTION AND SIGN CIRCUIT ELECTRICAL DETAILS ONLY. ELEVATION DETAILS ARE REPRESENTATIVE OF TYPICAL PROTOTYPE 2C CONSTRUCTION AND ARE NOT TO BE REFERENCED FOR BUILDING CONSTRUCTION PURPOSES.

GENERAL SPECIFICATIONS:

A - DISPLAYS:

1. **SIGN TYPE "A":** #2415 RED PLEX FACED CHANNEL LETTERS, RETURNS PAINTED TO MATCH: VALSPAR #739M003 BRONZE WITH DOUBLE TUBE CLEAR RED NEON. LOGO TO BE #7328 WHITE PLEX FACED CHANNEL LOGO WITH 3M #76 HOLLY GREEN VINYL OVERLAY WITH A 1.875" EDGE BORDER ON THE "STATE OF TEXAS", "HAT" IS #22 BLACK VINYL. ACCENT, 1.875" EDGE BORDER & INSIDE LINES OVERLAID ONTO #15 YELLOW VINYL. LOGO ILLUMINATED WITH #6500 WHITE NEON, PAINT LOGO RETURNS & FABRICATED 1" RETAINER TO MATCH VALSPAR #739M003 BRONZE

3. **SIGN TYPE "B":** FABRICATED S/F ALUMINUM CABINET PAINTED SEMI-GLOSS BLACK FINISH ON FACE AND FILLER. "TEXAS LOGO" CIRCLE TO BE ROUTED AND BACKED WITH WHITE ACRYLIC HAVING VINYL COLOR APPLIED TO FACE SURFACE. BKG'D IS ARLON 2500-43 LIGHT TOMATO RED W/ 3/4" 2500-15 YELLOW BORDER. "HAT" IS 2500-22 BLACK W/ 2500-15 YELLOW OUTLINE. STATE IS 2500-76 HOLLY GREEN W/ 2500-15 YELLOW OUTLINE. "TEXAS ROADHOUSE" COPY TO BE ROUTED OUT OF FACE AND BACKED W/ 7328 WHITE ACRYLIC "ACCENT STRIPES" TO BE ROUTED OUT AND BACKED W/ #7328 WHITE ACRYLIC W/ 2500-43 RED VINYL 1/2" OUTLINE ON FIRST SURFACE OF ACRYLIC FACE. INTERNALLY ILLUMINATED WITH 800 MA COOL WHITE FLUORESCENT LAMPS.

B - ELECTRICAL REQUIREMENTS:

1. **PRIMARY CIRCUITS:** IT IS THE RESPONSIBILITY OF THE GENERAL CONTRACTOR TO PROVIDE THE REQUIRED NUMBER OF BRANCH CIRCUITS TO EACH SIGN LOCATION. ALL BRANCH CIRCUITS FEEDING THE DISPLAYS SHALL MEET THE REQUIREMENTS OF NEC AND ALL LOCAL REGULATORY REQUIREMENTS. ALL BRANCH CIRCUITS SHALL BE DEDICATED TO SIGNS (INCLUDING GROUND AND NEUTRAL) AND SHALL NOT BE SHARED WITH OTHER LOADS. PROPERLY SIZED GROUND WIRE THAT CAN BE TRACED BACK TO THE BREAKER PANEL SHALL BE PROVIDED. SHARING OF NEUTRAL WITH OTHER LOADS SUCH AS LIGHTING, AIR-CONDITIONING AND OTHER EQUIPMENT IS NOT ALLOWED. SHARED NEUTRAL WITHIN SIGN CIRCUITS MAY BE ALLOWED ONLY IF BALANCED OPPOSITE PHASING IS PROVIDED. ANY DEVIATION FROM THE ABOVE MAY RESULT IN DAMAGE, DELAYS AND ADDITIONAL COSTS.

2. **SIGN INSTALLATION:**

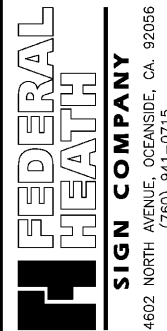
INSTALLATION MUST MEET SECTION 600 OF NEC AND UL 48 REQUIREMENTS. ALL TRANSFORMERS SHALL BE UL2161 LISTED. ALL COMPONENTS SHALL BE INSTALLED IN ACCORDANCE WITH THE MANUFACTURER'S INSTALLATION INSTRUCTIONS.

C- SPECIAL INSTALLATION INSTRUCTIONS

1. SEAL ALL ELECTRICAL PENETRATIONS. PAY SPECIAL ATTENTION TO CAULK AND/OR SILICONE PENETRATIONS BEHIND CHANNEL LETTERS & LOGO BEFORE MOUNTING TO WALL.
2. SEAL AROUND SIDES AND TOPS OF LETTERS & LOGO TO AT LEAST EVEN WITH ELECTRICAL PENETRATIONS.
3. CAP ALL PK HOUSINGS WITH UL LISTED HOUSING CAPS.
4. MOUNT TRANSFORMER/POWER SUPPLY BOXES PROPERLY TO WALL (VERTICAL-TOPSIDE LID.)
5. TRANSFORMERS & POWER SUPPLIES MUST BE BOLTED TO BOXES.
6. TRANSFORMERS & POWER SUPPLIES MUST BE GROUNDED TO A GREEN WIRE.
7. COMPLETELY TIGHTEN ALL PRIMARY AND SECONDARY CONNECTIONS.
8. MAINTAIN MINIMUM 1/2" CLEARANCE BETWEEN PRIMARY AND SECONDARY WIRES.

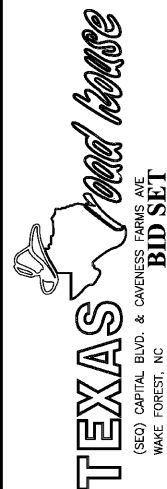
ENTRANCE ON LEFT SIDE OF BUILDING.

LED BORDER ILLUMINATION OPTION



4602 NORTH AVENUE, OCEANSIDE, CA. 92056
(760) 941-0715

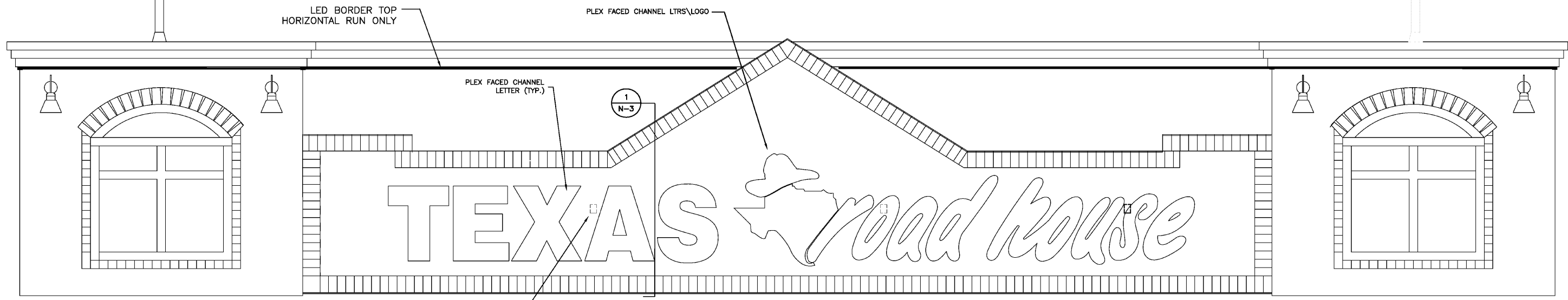
This original drawing is provided as part of a planned project and is not to be exhibited, copied or reproduced without the permission of Federal Heath Sign Company LLC or its authorized agent.



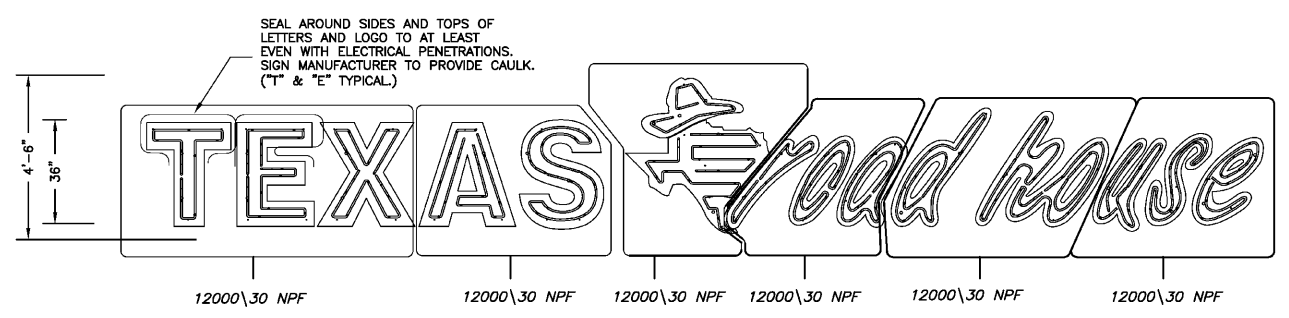
NO.	REVISIONS	DATE	BY
1	ADDED TOP HORIZONTAL ROW OF LED.	12/20/06	SDM

DESIGN NO:	S-080205
PROJECT MGR:	S. MAESER
DRAWN BY:	PH
DATE:	3/2/07
APPROVED BY:	-
SCALE:	AS NOTED
JOB NO:	-

SHEET NO:	OF:
N-1	3



1 FRONT ELEVATION ELECTRICAL LAYOUT
SCALE: 1/2" = 1'-0"



ELECTRICAL REQUIREMENTS:
 -(3) 12000\30 @ 3.0 AMPS EACH = 9.0 AMPS
 -(3) 9000\30 @ 2.16 AMPS EACH = 6.48 AMPS
 -TOTAL AMPS 15.48
 -(1) 20 AMP 120 VOLT CIRCUITS

2 ELECTRICAL LAYOUT SIGN TYPE "A"
SCALE: 3/8" = 1'-0"

FEDERAL HEATH SIGN COMPANY
 4602 NORTH AVENUE, OCEANSIDE, CA 92056
 (760) 941-0715

This original drawing is provided as part of a planned project and is not to be exhibited, copied or reproduced without the permission of Federal Heath Sign Company LLC or its authorized agent.

TEXAS road house
 (505) CAPITAL BLVD. & CAVEYESS FARMS AVE
 WAKE FOREST, NC
BID SET

NO.	REVISIONS	DATE	BY
1	ADDED TOP HORIZONTAL ROW OF LED.	2/20/06	SDM

DESIGN NO: S-080205
 PROJECT MGR: S. MAESER
 DRAWN BY: PH
 DATE: 3/2/07
 APPROVED BY: -
 SCALE: AS NOTED
 JOB NO: -

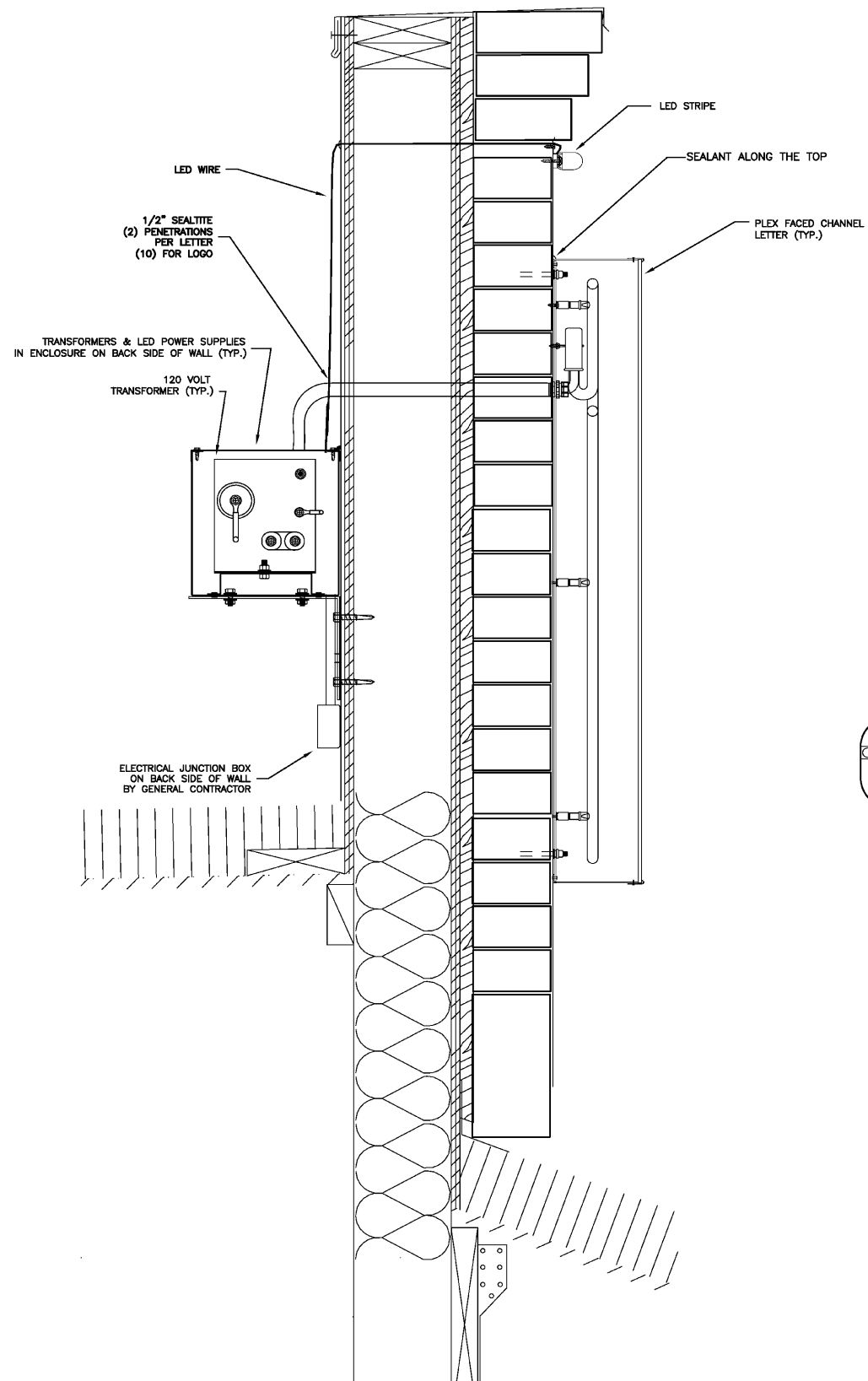
This original drawing is provided as part of a planned project and is not to be exhibited, copied or reproduced without the permission of Federal Heath Sign Company LLC or its authorized agent.

TEXAS Road House
 BID SET
 (S) CAPITAL BLVD. & CAWENESS FARMS AVE
 WAKE FOREST, NC

NO.	REVISIONS	DATE	BY
1	ADDED TOP HORIZONTAL ROW OF LED	12/20/06	SDM

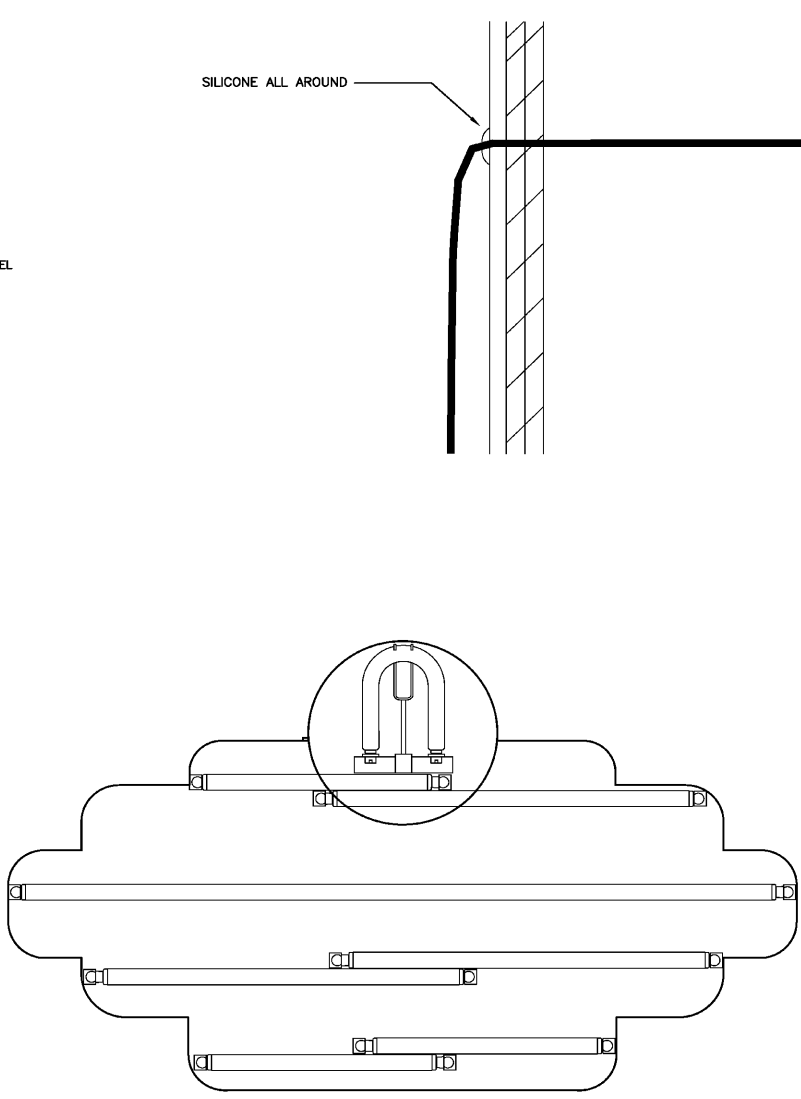
DESIGN NO:	N-010801
PROJECT MGR.:	S. Maeser
DRAWN BY:	PH
DATE:	3/2/07
APPROVED BY:	SF
SCALE:	AS NOTED
JOB NO:	

SHEET NO:	OF:
N-3	3

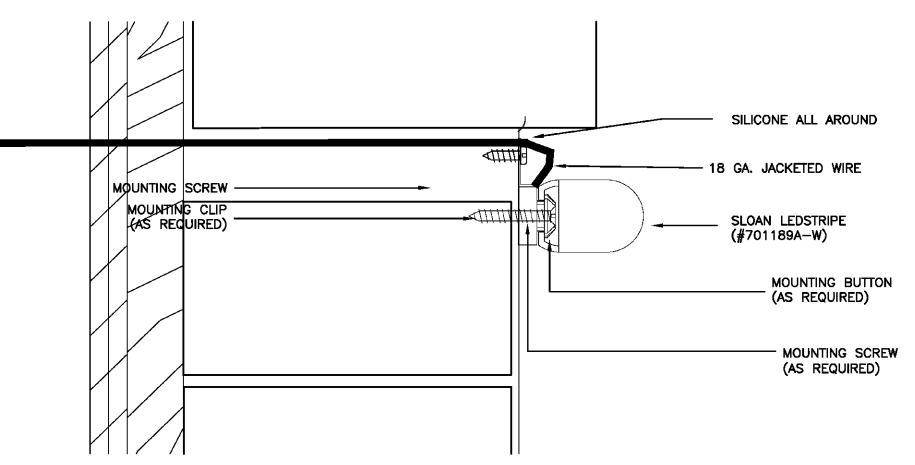


NOTE: ROOFING CONTRACTOR TO SEAL ALL MEMBRANE ROOF/WALL PENETRATIONS

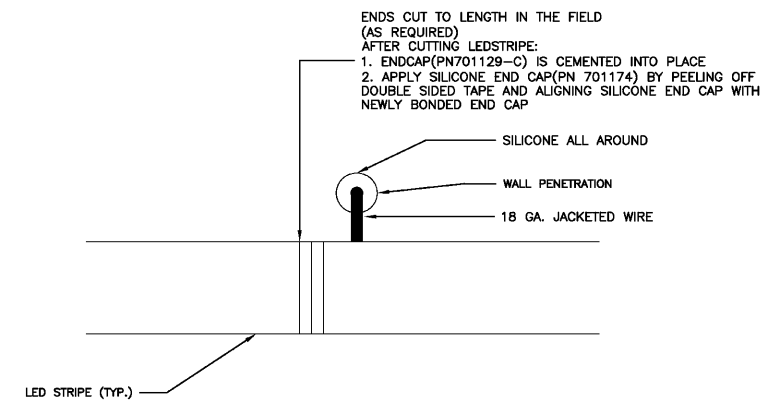
1 SECTION DETAIL
 N-3 SCALE: 3" = 1'-0"



- ELECTRICAL NOTES:** S/F SIGN
- (3) F24T12CW/HO LAMPS
 - (3) F38T12CW/HO LAMPS
 - (1) F72T12CW/HO LAMP
 - (1) U6-24T12CW/HO LAMP
 - (2) SS-496-AT BALLAST OR EQUIV. @ 1.7 AMPS EACH, TOTAL=3.4 AMPS
 - (1) 20 AMP SINGLE POLE WEATHER PROOF DISCONNECT SWITCH
 - (1) U.L. LABEL REQ'D.
 - (1) DATA LABEL REQ'D.
- POWER REQUIREMENTS**
- CUSTOMER TO PROVIDE (1) 120 VOLT x 60 Hz x 20 AMP DEDICATED CIRCUITS AT BASE OF SIGN



4 SECTION DETAIL (TYP.)
 N-3 FULL SCALE



3 DETAIL (TYP.)
 N-3 FULL SCALE