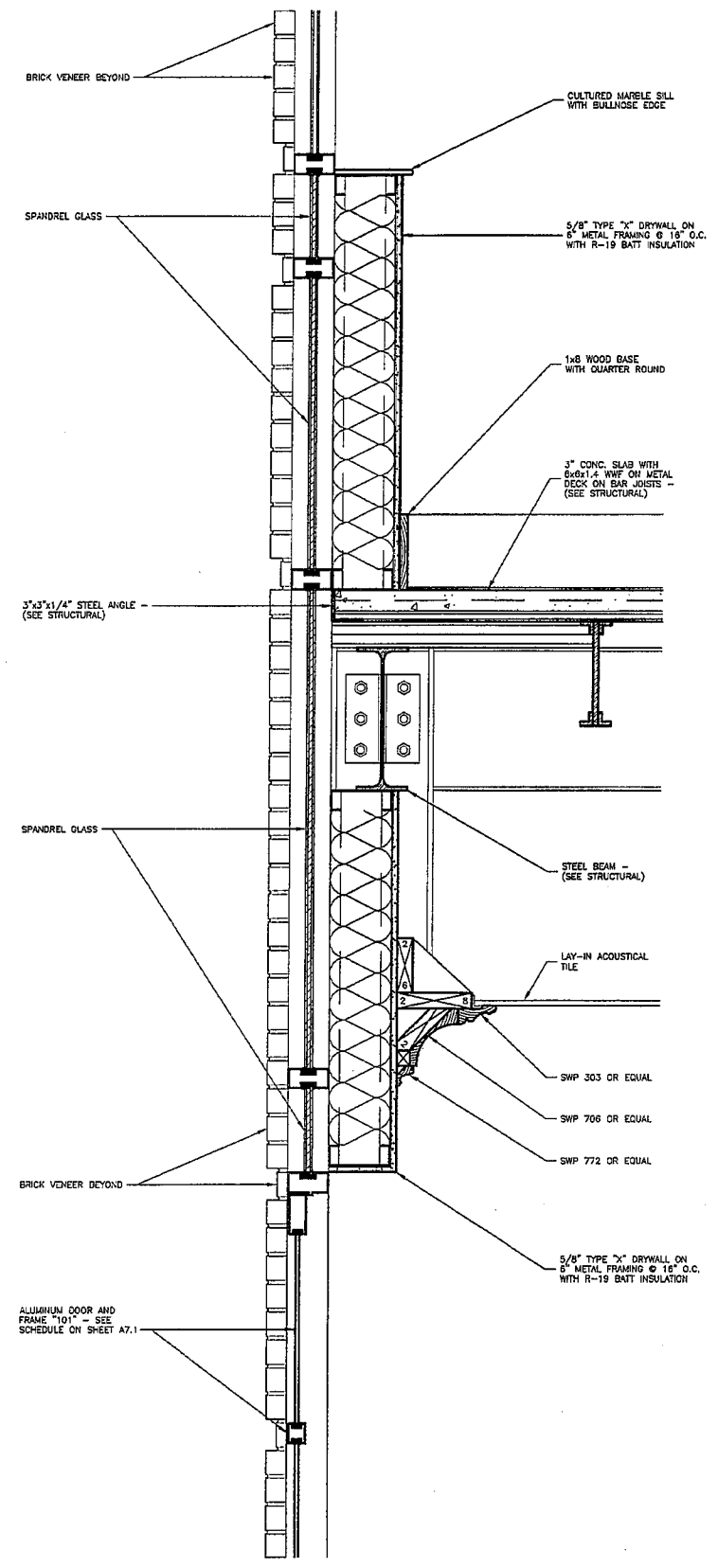
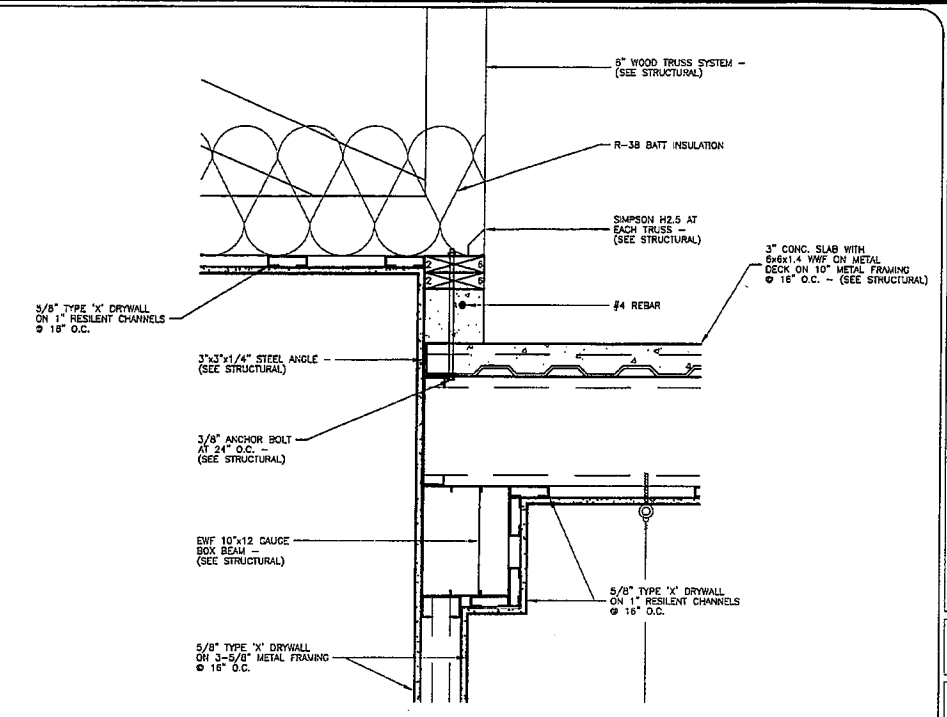


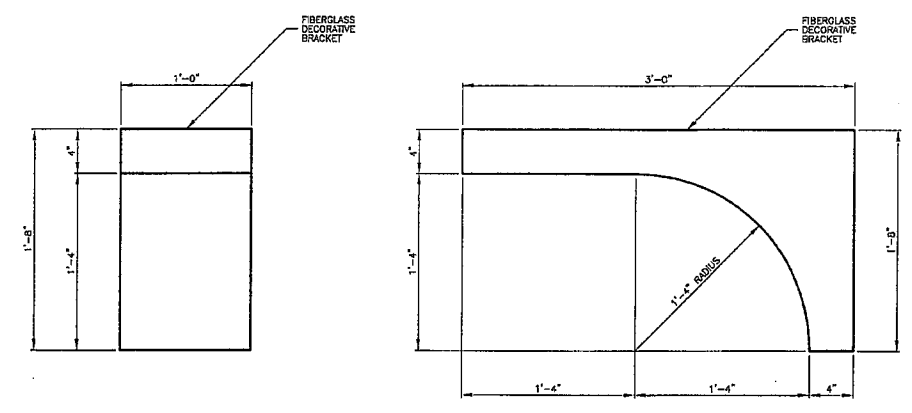
1 Ships Ladder Detail  
A9.4 scale: 3/4" = 1'-0"



2 Floor/Ceiling Detail  
A9.4 scale: 1-1/2" = 1'-0"



3 Concrete Curb Detail  
A9.4 scale: 1-1/2" = 1'-0"  
Attic Level



Front View Side View

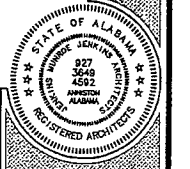
4 Decorative Bracket Detail  
A9.4 scale: 1-1/2" = 1'-0"

Jenkins Munroe Jenkins architecture  
Members of the American Institute of Architects

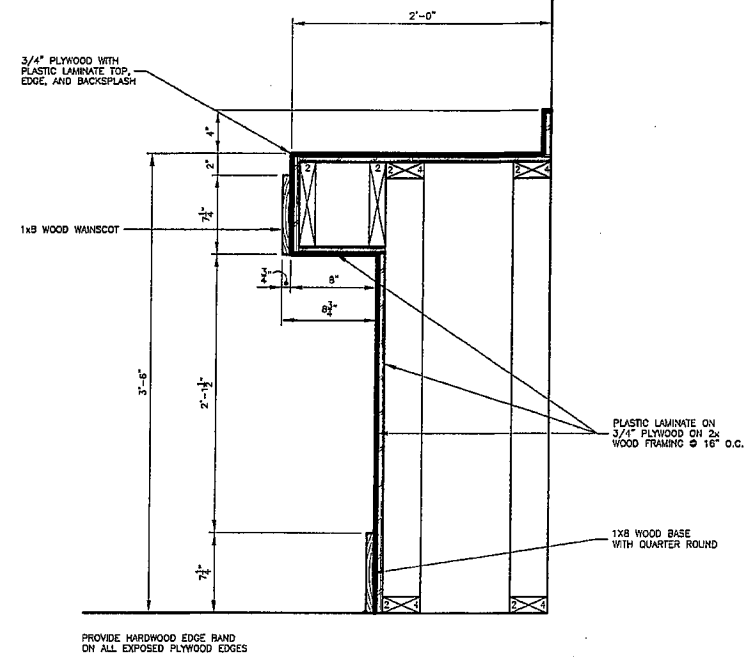
DATE 09-04-07  
REVISED  
FILE 07119  
DRAWN

Southern State Bank  
Anniston, Alabama

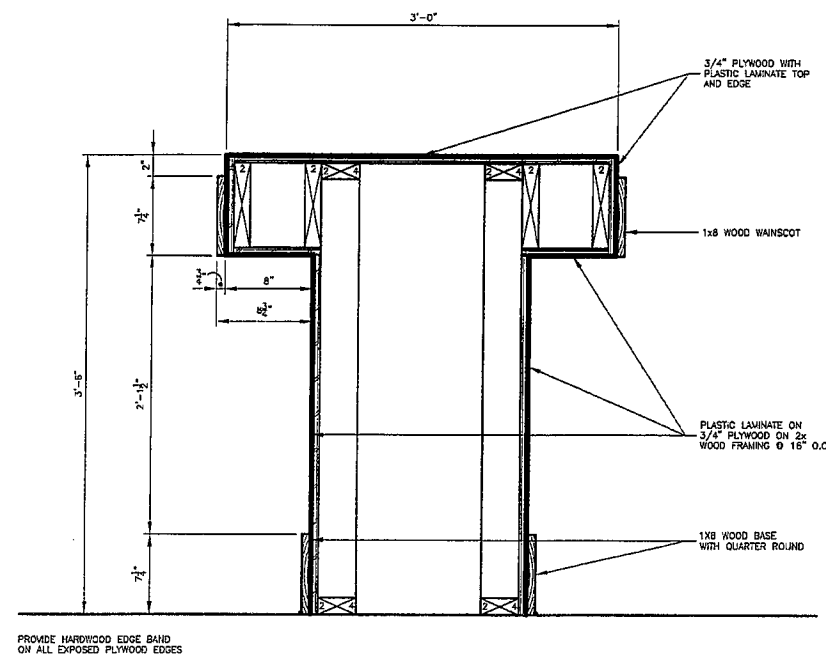
SHEET  
A9.4



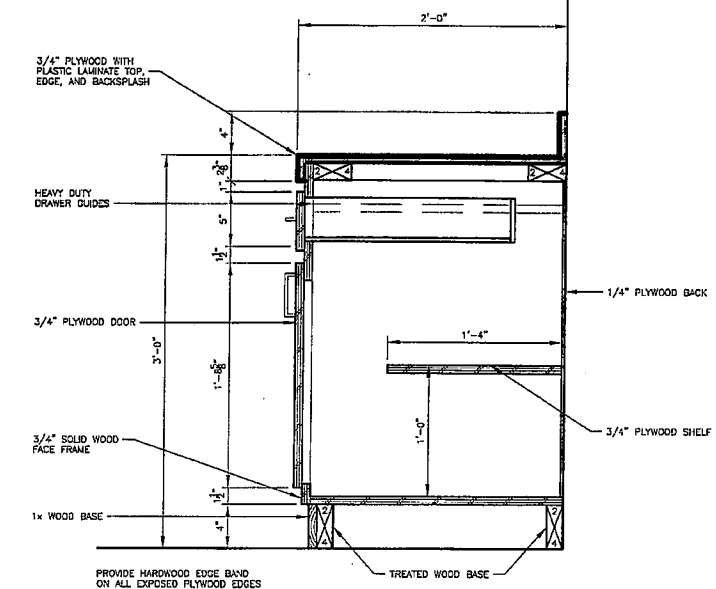




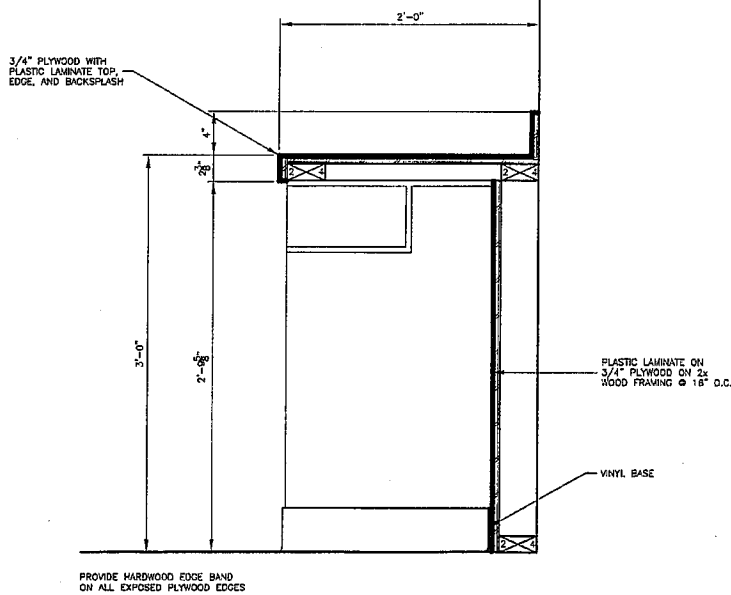
1 Check Writing Stand Detail  
 A9.6 scale: 1-1/2" = 1'-0"  
 Main Banking Hall 112  
 At Teller Line



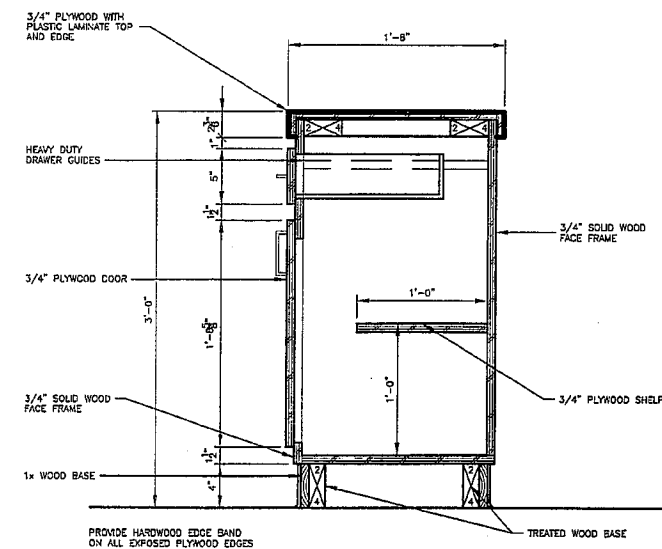
2 Check Writing Stand Detail  
 A9.6 scale: 1-1/2" = 1'-0"  
 Main Banking Hall 112



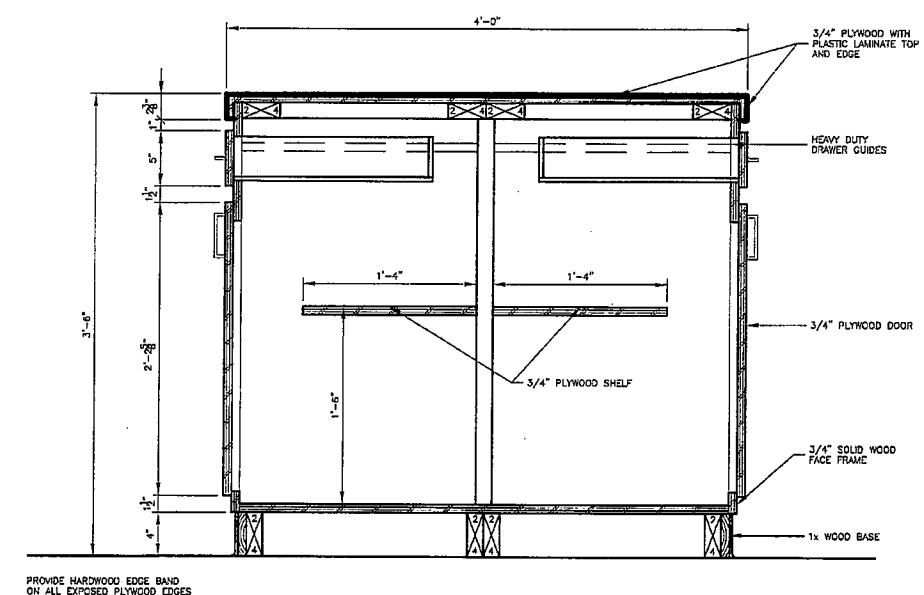
3 Cabinet Detail  
 A9.6 scale: 1-1/2" = 1'-0"  
 Drive-Thru Teller 120



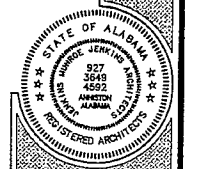
4 Cabinet Detail  
 A9.6 scale: 1-1/2" = 1'-0"  
 Drive-Thru Teller 120

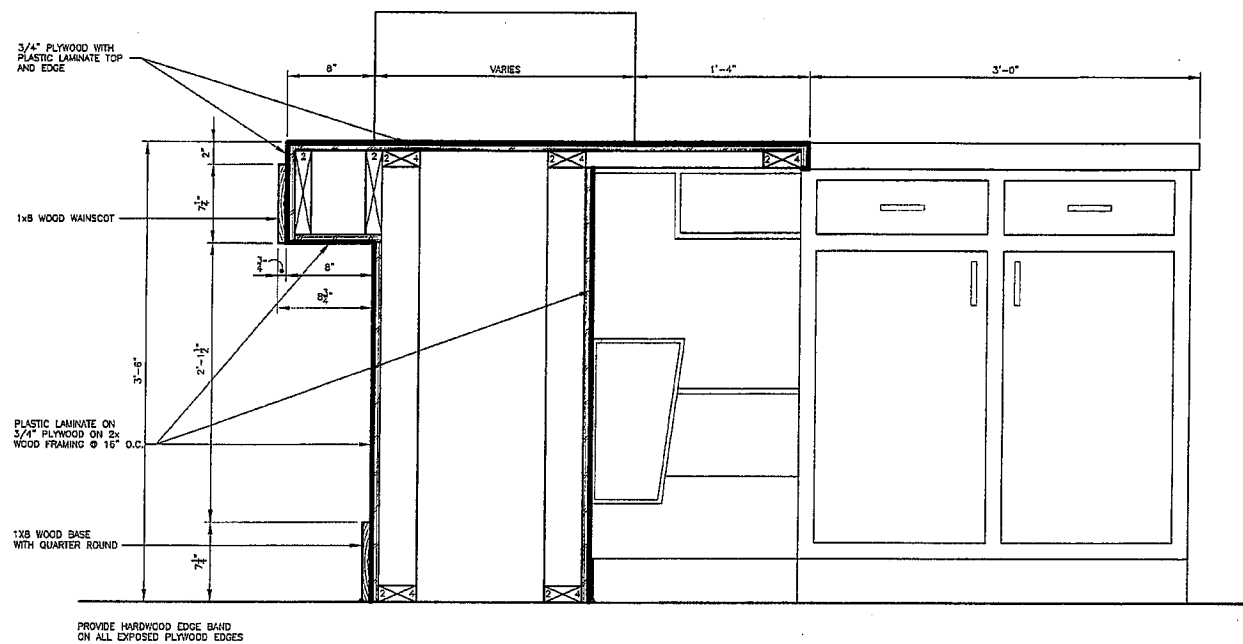


5 Cabinet Detail  
 A9.6 scale: 1-1/2" = 1'-0"  
 Drive-Thru Teller 120

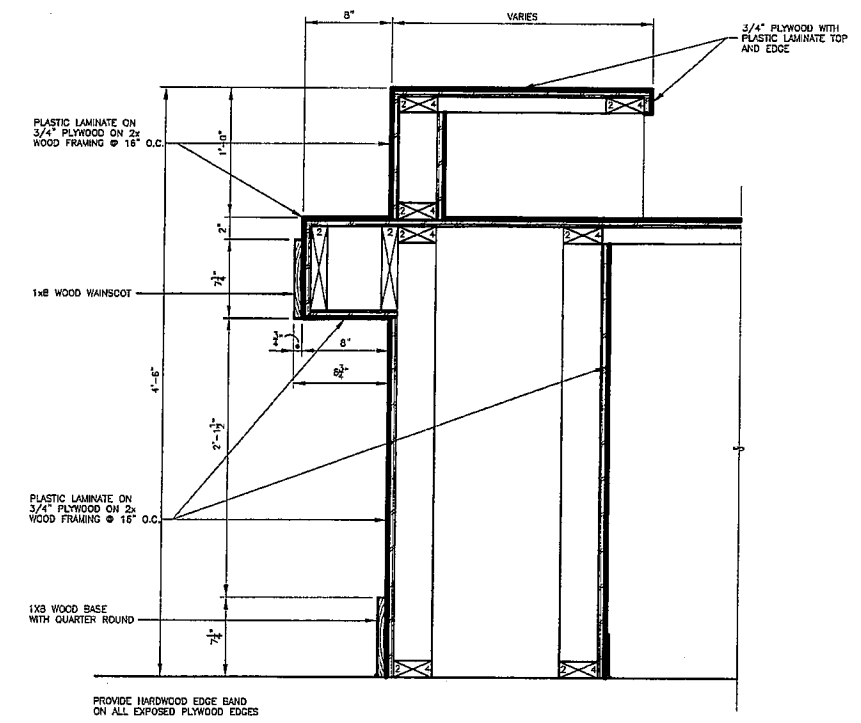


6 Work Cabinet Detail  
 A9.6 scale: 1-1/2" = 1'-0"  
 Drive-Thru Teller 120  
 Teller Line 121

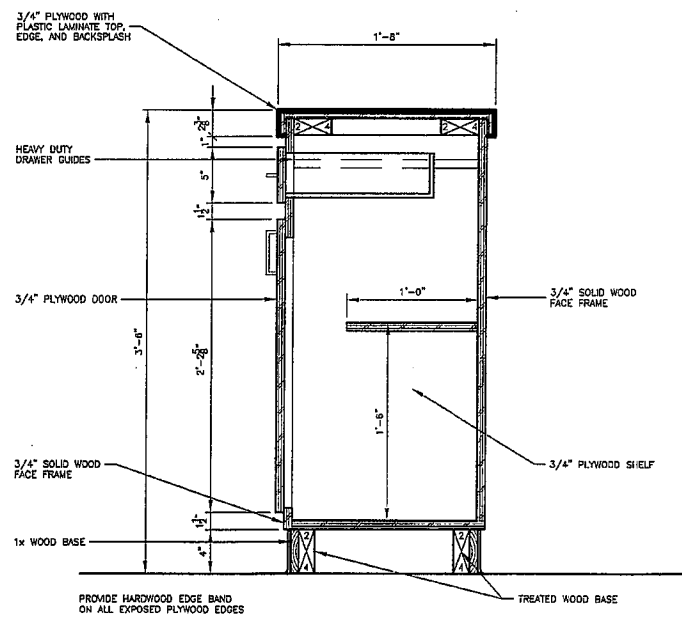




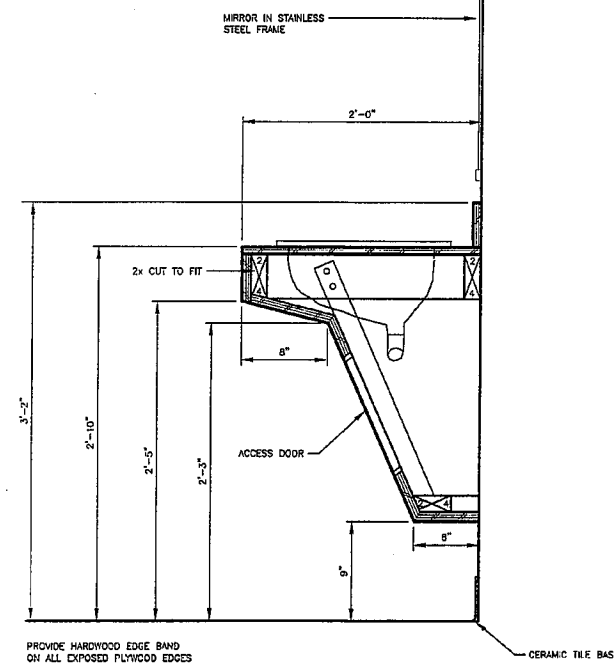
1 Cabinet Detail  
 A9.7 scale: 1-1/2" = 1'-0" Teller Line 121



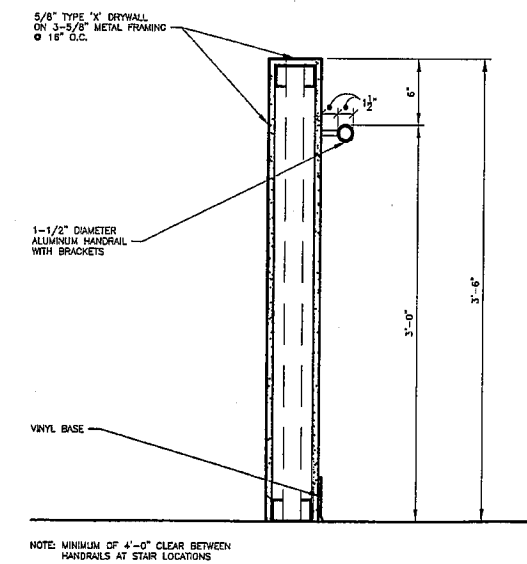
2 Cabinet Detail  
 A9.7 scale: 1-1/2" = 1'-0" Teller Line 121



3 Cabinet Detail  
 A9.7 scale: 1-1/2" = 1'-0" Teller Line 121



4 Cabinet Detail  
 A9.7 scale: 1-1/2" = 1'-0" Women 211  
 Men 212



5 Guardrail/Handrail Detail  
 A9.7 scale: 1-1/2" = 1'-0" Stair 102, 116, 202, 213

Jenkins Munroe Jenkins architecture  
 Members of the American Institute of Architects

DATE  
 09-04-07

REVISED

FILE  
 07119

DRAWN

Southern States Bank  
 Anniston, Alabama

SHEET  
 A9.7

