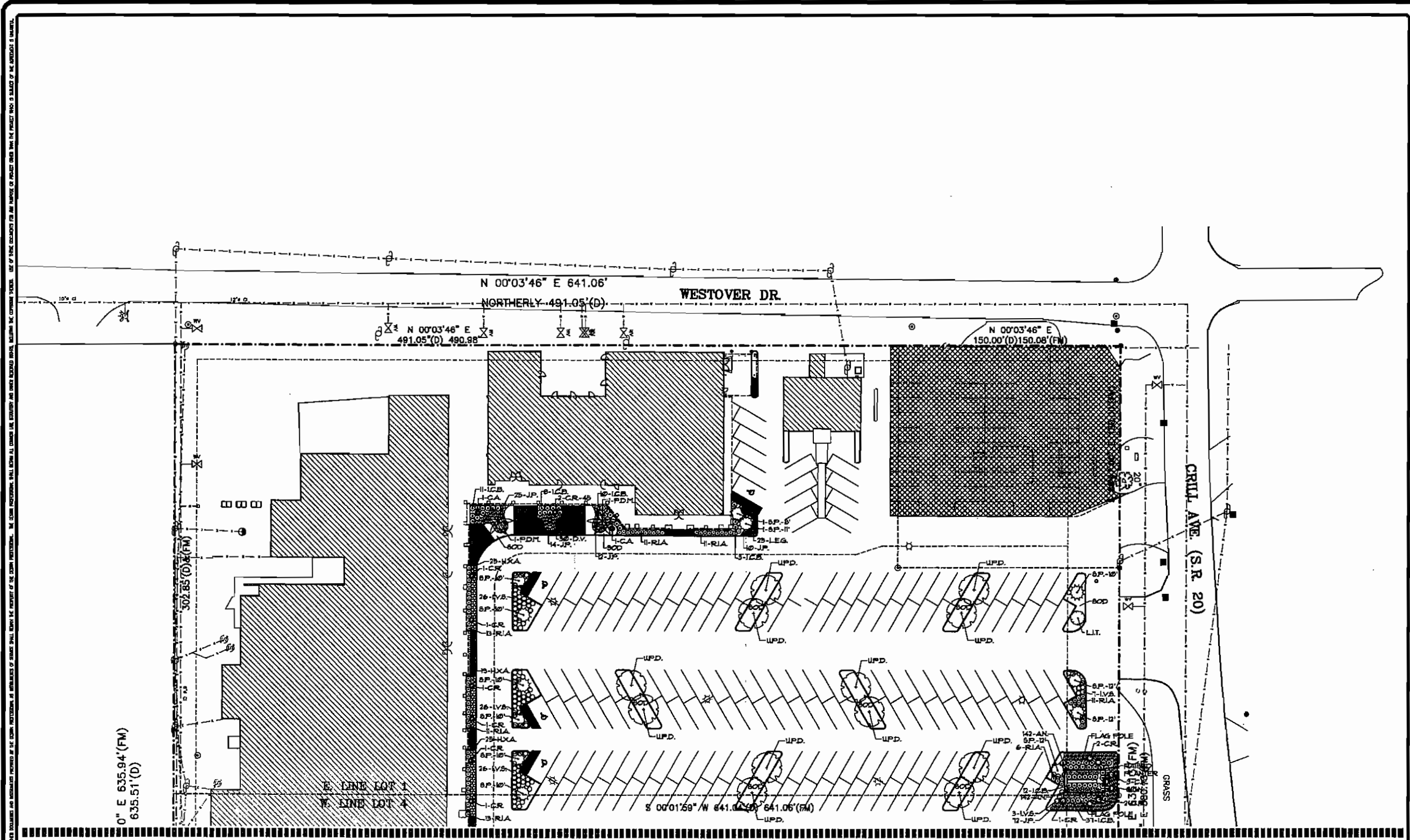


RENOVATIONS TO P.C. GOV. COMPLEX

RENOVATIONS TO P.C. GOV. COMPLEX



LS-1 LANDSCAPING PLAN

SCALE: 1" = 30'-0"



SKINNER VIGNOLA McLEAN, INC.
 ARCHITECTS & PLANNERS
 1628 N. W. 6th Street
 Gainesville, Florida 32609
 Florida Certificate No. AA3478
 (352) 378-4400
 FAX (352) 377-5378



**RENOVATIONS FOR THE
 PUTNAM COUNTY
 GOVERNMENTAL COMPLEX**
 SYN #00505



Dana M. MacClain
 License #22800000

DATE: 03/12/07

DRAWN BY:

CHECKED BY:

REVISIONS:

1	04-24-07

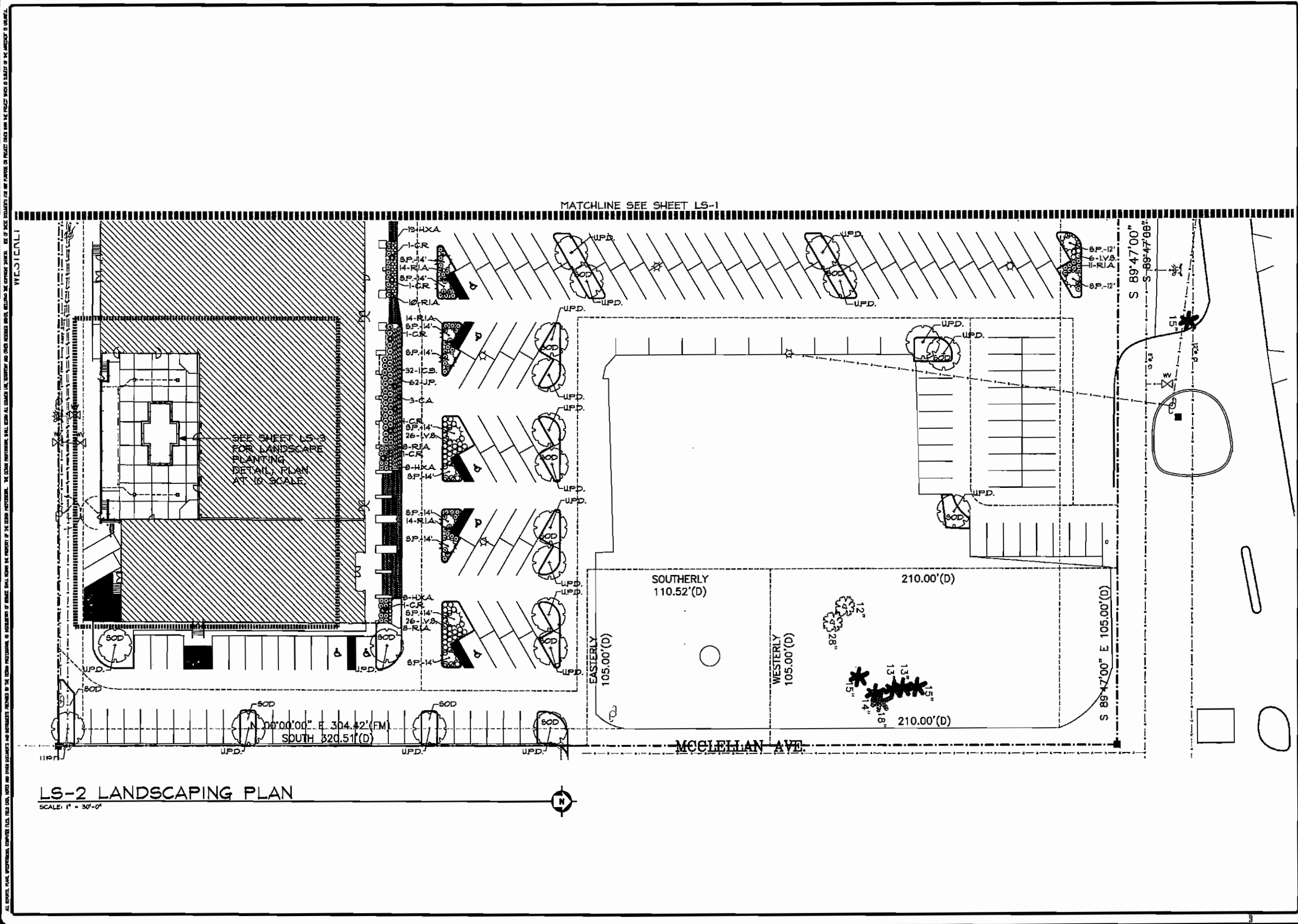
LANDSCAPING PLANS
 SHEET
LS-1

RENOVATIONS TO P.C. GOV. COMPLEX

RENOVATIONS TO P.C. GOV. COMPLEX

RENOVATIONS TO P.C. GOV. COMPLEX

RENOVATIONS TO P.C. GOV. COMPLEX



SKINNER VIGNOLA McLEAN, INC.
ARCHITECTS & PLANNERS
1628 N. W. 6th Street
Gainesville, Florida 32609
Florida Certificate No. AA3478
(352) 378-4400
FAX (352) 377-5378

RENOVATIONS FOR THE
FLORIDA COUNTY
GOVERNMENTAL COMPLEX
PALATKA, FL
SYM #00505



McCLELLAN DESIGN GROUP, INC.
LANDSCAPE ARCHITECTS
1000 W. 1st Street
Palatka, Florida 32909
Phone: 352-328-1111
Fax: 352-328-1112

Doris N. McClellan
License #Z2869599

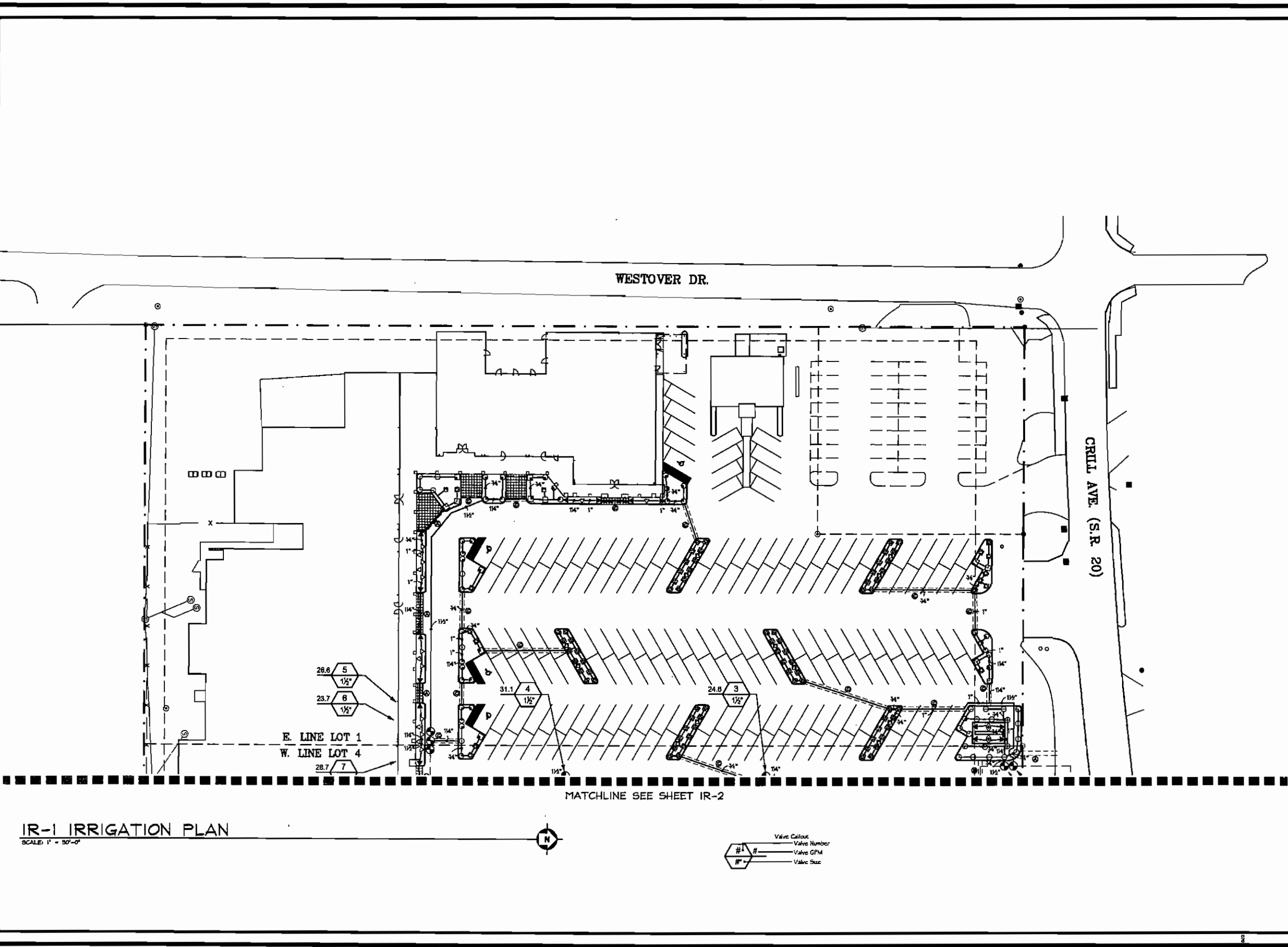
DATE: 03/12/07
DRAWN BY:
CHECKED BY:
REVISIONS:
▲ 04-24-07
▲
▲
▲

LANDSCAPING PLANS
SHEET
LS-2
OF

RENOVATIONS TO P.C. GOV. COMPLEX

RENOVATIONS TO P.C. GOV. COMPLEX

RENOVATIONS TO P.C. GOV. COMPLEX
 ALL SURVEY, PLUMB, ELECTRICAL, MECHANICAL, AND OTHER INFORMATION IS BASED ON THE RECORD DRAWINGS AND FIELD DATA. THE DESIGN PROFESSIONAL SHALL BE RESPONSIBLE FOR THE ACCURACY OF THE INFORMATION PROVIDED BY THE DESIGN PROFESSIONAL. THE DESIGN PROFESSIONAL SHALL BE RESPONSIBLE FOR THE ACCURACY OF THE INFORMATION PROVIDED BY THE DESIGN PROFESSIONAL. THE DESIGN PROFESSIONAL SHALL BE RESPONSIBLE FOR THE ACCURACY OF THE INFORMATION PROVIDED BY THE DESIGN PROFESSIONAL.



IR-1 IRRIGATION PLAN
SCALE: 1" = 50'-0"



Valve Callout
 # Valve Number
 # GPM Valve GPM
 # IN Valve Size

MATCHLINE SEE SHEET IR-2

SKINNER VIGNOLA McLEAN, INC.
 ARCHITECTS & PLANNERS
 1628 N. W. 6th Street
 Gainesville, Florida 32609
 Florida Certificate No. AA3478
 (352) 378-4400
 FAX (352) 377-5378

**RENOVATIONS FOR THE
 PUTNAM COUNTY
 GOVERNMENTAL COMPLEX**
 SYM #00505

McCLAIN DESIGN GROUP, INC.
 ARCHITECTURAL, ENGINEERING, AND LANDSCAPE ARCHITECTURE
 2001 W. STATE ST. SUITE 200
 GAINESVILLE, FL 32609
 (352) 378-4400

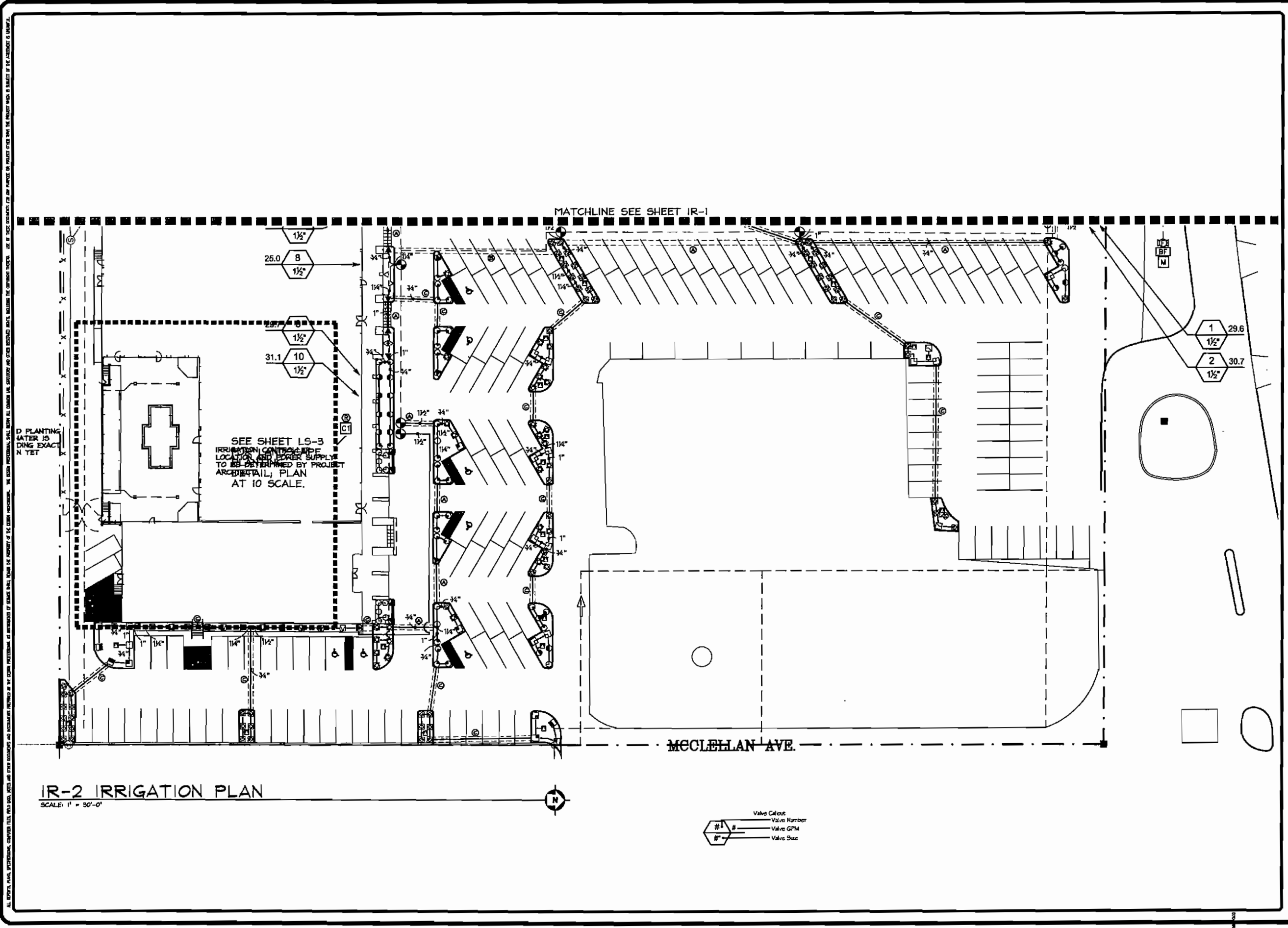
Doris M. McClain
 License #22859598

DATE: 03/12/07
 DRAWN BY:
 CHECKED BY:
 REVISIONS:
 IRRIGATION PLANS
 SHEET
IR-1

RENOVATIONS TO P.C. GOV. COMPLEX

RENOVATIONS TO P.C. GOV. COMPLEX

RENOVATIONS TO P.C. GOV. COMPLEX



ALL REPORTS, PLANS, SPECIFICATIONS, COMPUTERS, TITLES, PLOTS, AND OTHER DOCUMENTS ARE UNLESS OTHERWISE NOTED AS BEING THE PROPERTY OF THE DESIGN PROFESSIONAL. THE DESIGN PROFESSIONAL SHALL BE RESPONSIBLE FOR ANY DAMAGE TO PROPERTY OF THE CLIENT. PROFESSIONAL DESIGNERS SHALL BE RESPONSIBLE FOR ANY DAMAGE TO PROPERTY OF THE CLIENT. PROFESSIONAL DESIGNERS SHALL BE RESPONSIBLE FOR ANY DAMAGE TO PROPERTY OF THE CLIENT.

SKINNER VIGNOLA McLEAN, INC.
ARCHITECTS & PLANNERS
1628 N. W. 6th Street
Gainesville, Florida 32609
Florida Certificate No. AA3478
(352) 378-4400
FAX (352) 377-5378

**RENOVATIONS FOR THE
PUTNAM COUNTY
GOVERNMENTAL COMPLEX**
PALATKA, FL. SYN #00505

McCLELLAN DESIGN GROUP, INC.
ARCHITECTS & PLANNERS
1000 S. W. 10th Street
Gainesville, Florida 32609
(352) 378-4400
FAX (352) 377-5378

Dana M. McClellan
License # 22889555

DATE: 03/12/07
DRAWN BY:
CHECKED BY:
REVISIONS:
IRRIGATION PLANS
SHEET
IR-2
OF

RENOVATIONS TO P.C. GOV. COMPLEX

USE OF THIS DOCUMENT FOR ANY PURPOSE OR PROJECT OTHER THAN THAT FOR WHICH IT WAS PREPARED IS PROHIBITED. THE USER ASSUMES ALL LIABILITY FOR ANY DAMAGE, INCLUDING REPUTATIONAL DAMAGE, ARISING FROM THE USE OF THIS DOCUMENT. THE USER ASSUMES ALL LIABILITY FOR ANY DAMAGE, INCLUDING REPUTATIONAL DAMAGE, ARISING FROM THE USE OF THIS DOCUMENT.

IRRIGATION SCHEDULE

SYMBOL	MANUFACTURER/MODEL/DESCRIPTION	QTY	PSI
	Hunter PROS-06 4" strip Turf Spray 6" pop-up	19	30
	Hunter PROS-06 8" radius Turf Spray 6" pop-up	133	30
	Hunter PROS-06 10" radius Turf Spray 6" pop-up	43	30
	Hunter PROS-06 12" radius Turf Spray 6" pop-up	20	30
	Hunter PROS-06 15" radius Turf Spray 6" pop-up	17	30
	Hunter PROS-12 4" strip Shrub Spray 12" pop-up	43	30
	Hunter PROS-12 6" radius Shrub Spray 12" pop-up	25	30
	Hunter PROS-12 10" radius Shrub Spray 12" pop-up	57	30
	Hunter PROS-12 12" radius Shrub Spray 12" pop-up	34	30
	Hunter PROS-12 15" radius Shrub Spray 12" pop-up	15	30
	Hunter PCB-050 Flood Bubbler, 1/2" FIT.	35	30

SYMBOL	MANUFACTURER/MODEL/DESCRIPTION	QTY
	Hunter PGV Electric Remote Control Valve	12
	Hunter ACC-1200 Controller, 12 stations	1
	Hunter FC-300 Controller, 3 stations, outdoor model	1
	Hunter MINI-CLIK Rain Sensor, mount as noted	2
	Wilkins 975-1-1/2" Backflow Preventer	2
	Hunter HPS in FCT200 Body connect to ACC controller	1
	Water Meter 1"	1

--- Irrigation Lateral Line: PVC Class 160 5,800 L.F.
 --- Irrigation Mainline: PVC 2" Class 200 Solvent Weld 700 L.F.
 --- Pipe Sleeve: PVC Schedule 40
 Extend sleeves 18 inches beyond edges of paving or construction.

POC Point of Connection to building water source to be field determined provided by others
 BF2 Wilkins 975-1" Backflow Preventer
 IRRIGATION CONTRACTOR RESPONSIBLE FOR THEIR OWN TAKE OFF

SLEEVE SCHEDULE

- (A) = (1) 4" SLV
(1) 3" SLV
- (B) = (1) 4" SLV
- (C) = (1) 3" SLV

IRRIGATION SPECIFICATIONS

- THE SCHEMATIC IRRIGATION PLAN SERVES PRIMARILY AS A GUIDE.
- THE CONTRACTOR SHALL BE RESPONSIBLE FOR PROVIDING ALL LABOR, MATERIAL AND ACCESSORIES REQUIRED FOR A COMPLETE AND PROPERLY OPERATING IRRIGATION SYSTEM MEETING THE PERFORMANCE REQUIREMENTS OUTLINED HEREIN PRIOR TO INSTALLATION. SUBMITTALS SHALL BE REQUIRED FOR APPROVAL BY THE LANDSCAPE ARCHITECT, INCLUDING CUTSHEETS FOR ALL IRRIGATION COMPONENTS.
- ALL WORK SHALL BE INSTALLED IN ACCORDANCE WITH THE REGULATIONS OF THE LOCAL, COUNTY, OR OTHER GOVERNING AUTHORITIES. FEES FOR ALL PERMITS, INSPECTIONS, AND IMPACT FEES REQUIRED SHALL BE INCLUDED AS WORK REQUIRED.
- THE PROPOSED CONTROLLERS SHALL BE AS STATED IN THE IRRIGATION LEGEND.
- THE OWNER WILL PROVIDE THE ELECTRICAL CONNECTION FOR CONTROLLERS.
- PIPE SIZE CHANGES ARE INDICATED, PIPE SIZES REMAIN CONSISTENT BETWEEN SIZE INDICATIONS.
- THE REMOTE CONTROL VALVES SHALL BE AS STATED IN THE IRRIGATION LEGEND. REFER TO THE DETAILS FOR INSTALLATION REQUIREMENTS.
- CONTROL WIRES SHALL BE 18 GAUGE U.F. U.L. DIRECT BURIAL WIRES, OR APPROVED EQUAL, OR AS OTHERWISE INDICATED ON THE PLANS. ALL WIRE COLORS SHALL REMAIN CONSISTENT THROUGHOUT THE COURSE OF THE WORK. ALL WIRE SPLICES SHALL BE INSTALLED IN 1" DIAMETER ROUND VALVE BOXES WITH 1" OF GRAVEL SLUMP, WITH A MINIMUM OF 24" OF COOLED WIRE. THE SPLICE BOX LOCATIONS SHALL THEN BE RECORDED ON THE AS-BUILT PLANS.
- WATERPROOF WIRE CONNECTORS SHALL BE 3M-DBY, OR APPROVED EQUAL.
- MINIMUM DEPTH OF COVER OVER IRRIGATOR MAIN LINES SHALL BE 12".
- A RAIN SENSOR, MINI-CLIK II, OR APPROVED EQUAL, SHALL BE INSTALLED IN AN UNOBSTRUCTED LOCATION FOR EACH CONTROLLER INSTALLED.
- THE CONTRACTOR SHALL BE RESPONSIBLE FOR ADJUSTING AND BALANCING THE SYSTEM FOR PROPER OPERATION AND COVERAGE. THE LANDSCAPE ARCHITECT SHALL HAVE THE RIGHT TO INSPECT THE WORK TO INSURE THAT THE SYSTEM CONFORMS WITH THE PLAN AND SPECIFICATIONS, AS A CONDITION FOR FINAL PAYMENT TO THE CONTRACTOR.
- WARRANTY: THE CONTRACTOR SHALL WARRANT THE INSTALLATION WORKMANSHIP FOR A PERIOD OF ONE YEAR FROM DATE OF COMPLETION AND ACCEPTANCE OF THE JOB. THE CONTRACTOR SHALL FURTHER SEE TO THE FULFILLMENT OF ALL MANUFACTURER'S WARRANTIES AND SHALL PROVIDE MANUFACTURER WARRANTY AND OPERATION INFORMATION TO THE OWNER.

IRRIGATION NOTES (REFER TO THE PROJECT MANUAL FOR DETAILED SPECIFICATIONS)

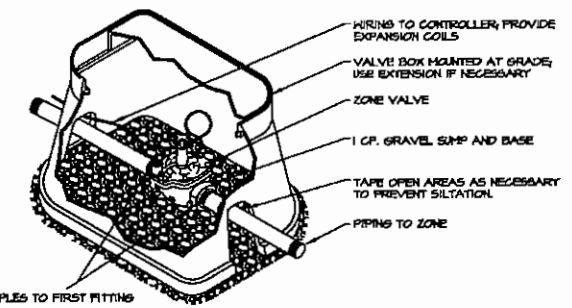
- The Irrigation Contract shall generally include the following work:
 - A. All equipment, materials, and labor to provide a complete and properly operating irrigation system meeting the performance specifications and the requirements of the landscape plan.
 - B. Documentation and submittal of actual water supply performance prior to commencing installation.
 - C. Separation of zones covering areas for independent operation where applicable.
 - D. Adjustment of pipe, head or valve locations or depths to allow for landscaping.
 - E. Adjustment of nozzle pattern or relocation of heads to minimize over/throw onto pavement or structures and to provide satisfactory coverage to all plant material.
 - F. Programming of and labeling of controller(s) and submittal of separate zone schedule and Controller Operations Manual to the Landscape Architect.
 - G. Submittal of two Owner's Manuals with contents as described in the specifications.
 - H. Submittal of as-built plans illustrating dimensioned locations of all major components and any changes to the bid plan.
 - I. Provision of 3 written guarantees.
- The Irrigation Contractor shall be responsible for:
 - A. Observing and reporting any conditions which would affect the performance of the system.
 - B. Following all applicable codes and regulations concerning the work, whether or not they are stipulated in the bid documents.
 - C. Providing competent supervision of the work at all times.
 - D. Reporting and repairing any damage caused by his work or actions.
 - E. Maintaining the jobsite in a clean, professional, and workmanlike manner.
 - F. Coordination of or with landscape installation in order to achieve proper coverage, including adjustments of head locations if required.
 - G. Proceeding the work in a continuous and diligent manner until it is complete according to the Plans and Specifications.
 - H. Following all administrative and technical requirements of the bid documents.
- Crawford Irrigation Design is responsible for insuring that the work meets all requirements stipulated and implied in the Plans and Specifications. Any work that does not is subject to rejection, and replacement by the contractor at his own cost.

READ AND FOLLOW THE SPECIFICATIONS.

48 HOURS BEFORE YOU DIG
 CALL GUNN-RINE
 1-800-432-4770
 IT'S THE LAW IN FLORIDA

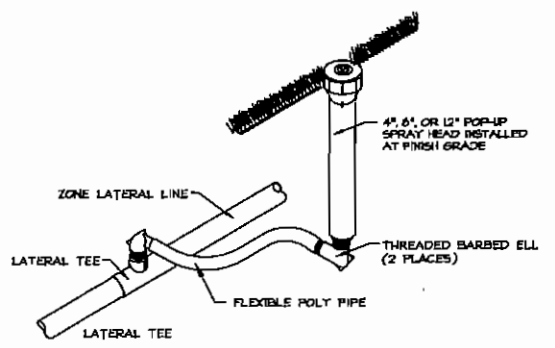
Crawford Irrigation Design, Inc.
 IRRIGATION DESIGN AND CONSULTATION SERVICES

Edgewater, Florida EMAIL: CID@Atlantic.net
 Tel: (386)-424-0021



INSTALL TOP OF VALVE A MAXIMUM OF 6" FROM FINISHED GRADE.
 INSTALL REDUCERS AND ALL-THREAD AS NECESSARY AT EACH VALVE LOCATION.
 INSTALL EACH VALVE TAP IN A VERTICAL ORIENTATION TO ASSURE THE PROPER VALVE DEPTH.

ZONE VALVE
 SCALE: N.T.S.



SPRAY HEAD INSTALLATION
 SCALE: N.T.S.

SKINNER VIGNOLA McLEAN, INC.
 ARCHITECTS & PLANNERS
 1628 N. W. 6th Street
 Gainesville, Florida 32609
 Florida Certificate No. AA3478
 (352) 378-4400
 FAX (352) 377-5378

**RENOVATIONS FOR THE
 PUTNAM COUNTY
 GOVERNMENTAL COMPLEX**
 PALATKA, FL. SVM #00505

MACCLARY DESIGN GROUP, INC.
 LANDSCAPE ARCHITECTURE AND PLANNING
 1000 W. 12th Street, Suite 100
 Palatka, FL 32909
 (888) 888-8888

DATE: 03/12/07
 DRAWN BY:
 CHECKED BY:
 REVISIONS:
 IRRIGATION PLANS
 SHEET
IR-3