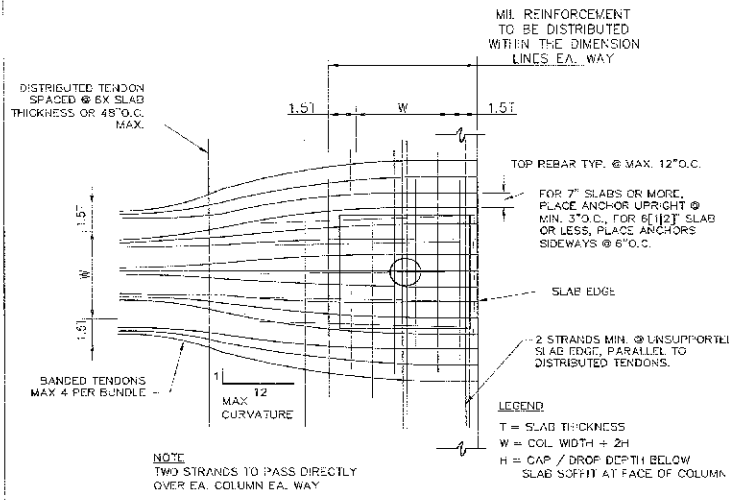
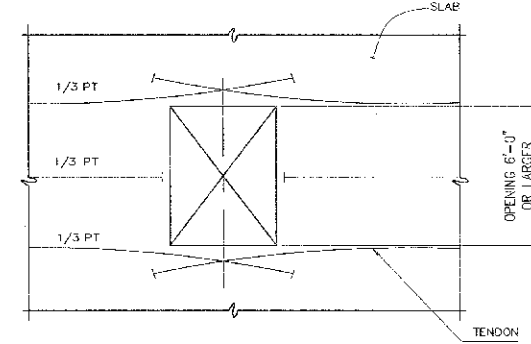




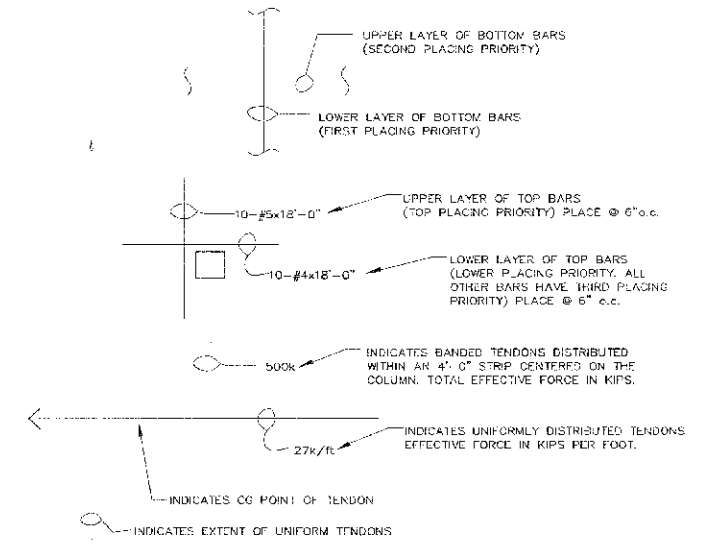
12 1/8" DEAD END AT BANDED TENDONS



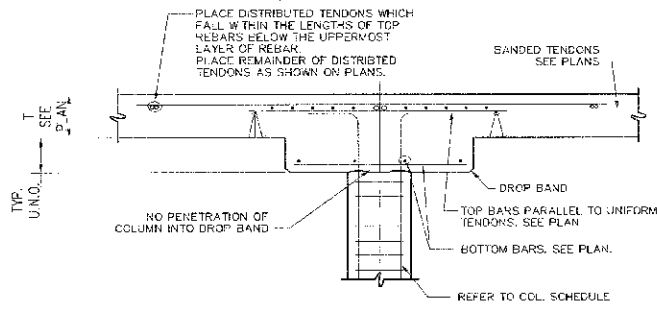
9 1/8" TOP REINFORCEMENT AT EXTERIOR COLUMNS



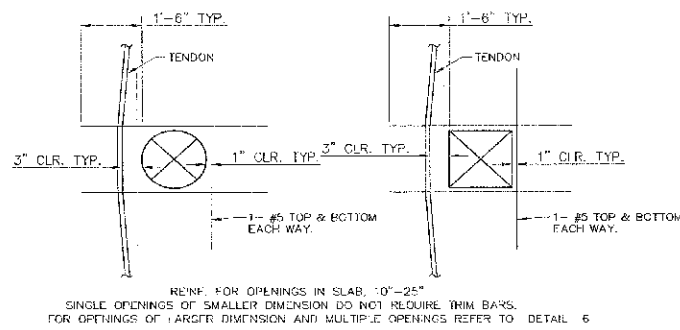
6 1/8" ARRANGEMENT OF TENDONS AT OPENING 6' OR LARGER



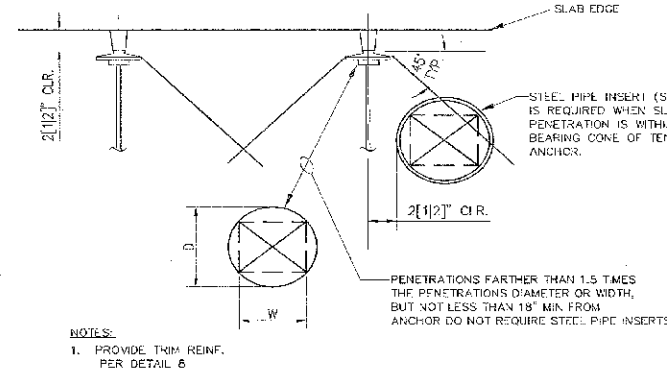
3 1/8" POST-TENSIONING AND REINFORCING KEY



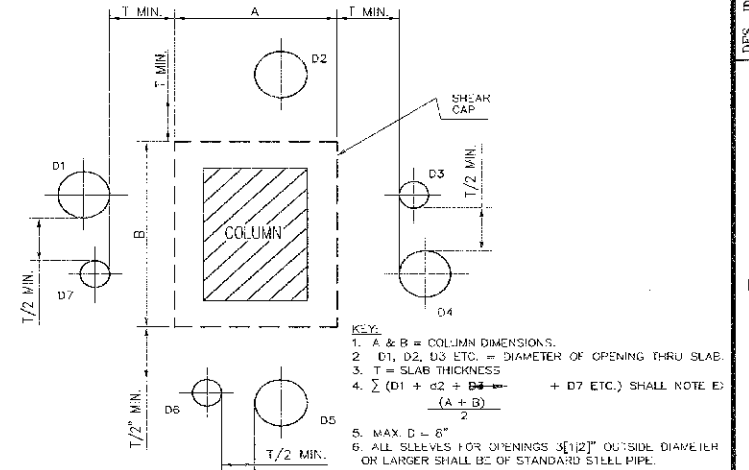
11 1/8" TYPICAL COLUMN SECTION



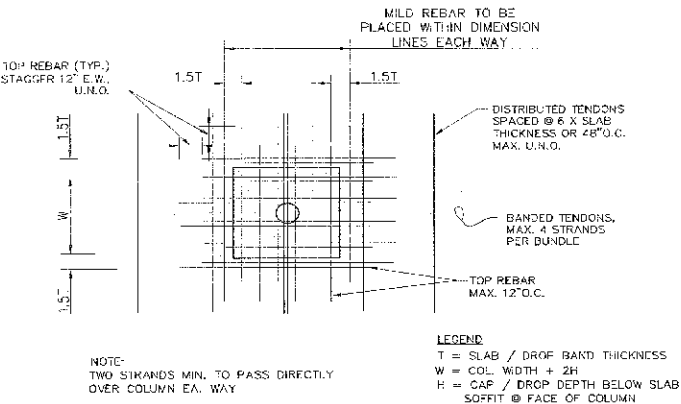
8 1/8" TRIM BARS AT SLAB OPENING



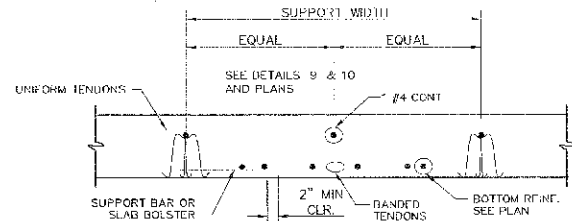
5 1/8" PENETRATIONS AT TENDON ANCHORS



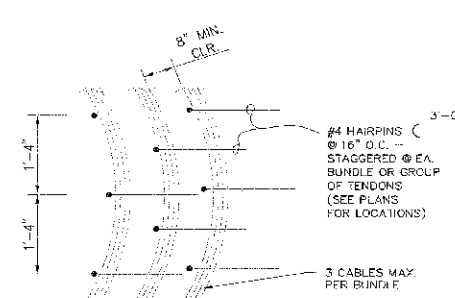
2 1/8" OPENING THRU FLAT PLATE AT COLUMN W/ SHEAR CAP



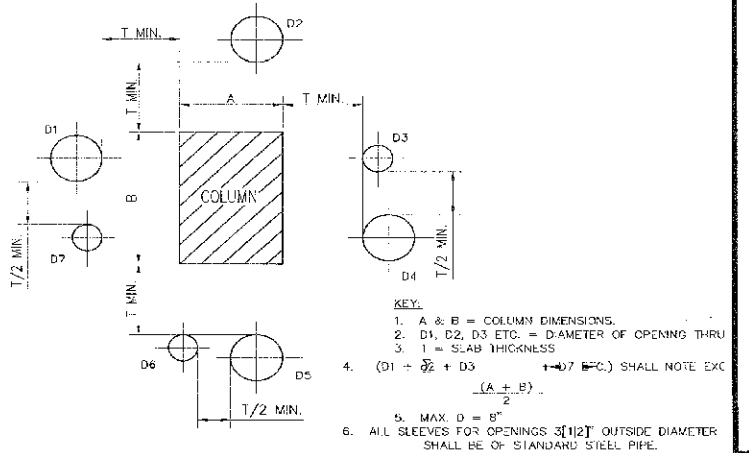
10 1/8" TOP REINFORCEMENT AT INTERIOR COLUMNS



7 1/8" SECTION-BANDED TENDONS AT MID SPAN



4 1/8" REINFORCEMENT AT FLARED P.T. CABLES



1 1/8" OPENING THRU FLAT PLATE SLAB AT COLUMN

For order plans, please visit <http://www.tdinfo.com>

APPROVAL ISSUED FOR

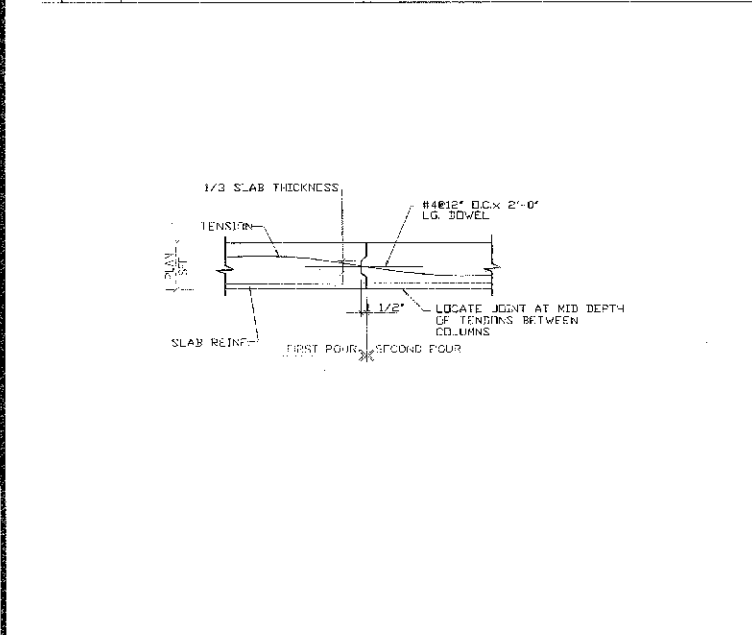
DES. IDC  
 DRN. CAD  
 CHK. JRC

VSL

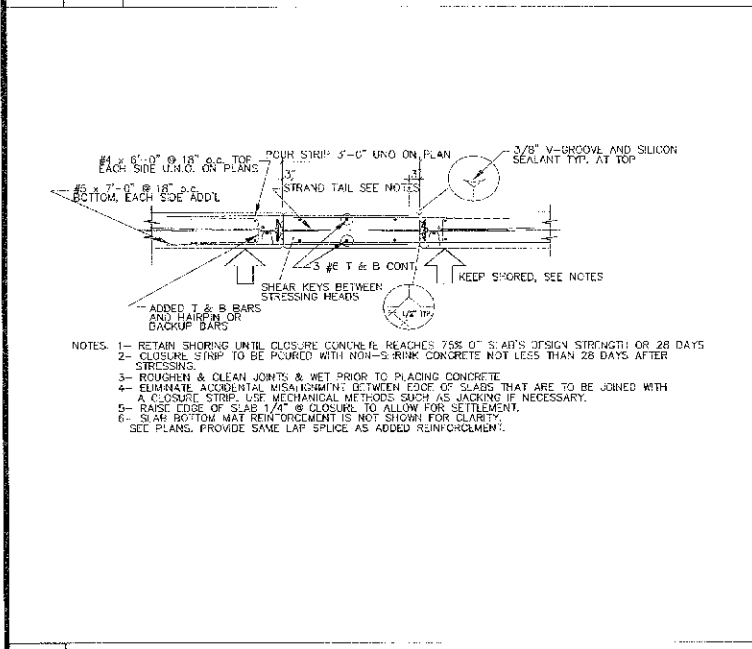
STANDARD DETAILS  
 12th & PIEDMONT

JOB NO: 2700  
 SHEET: SD-01

12 1/8"

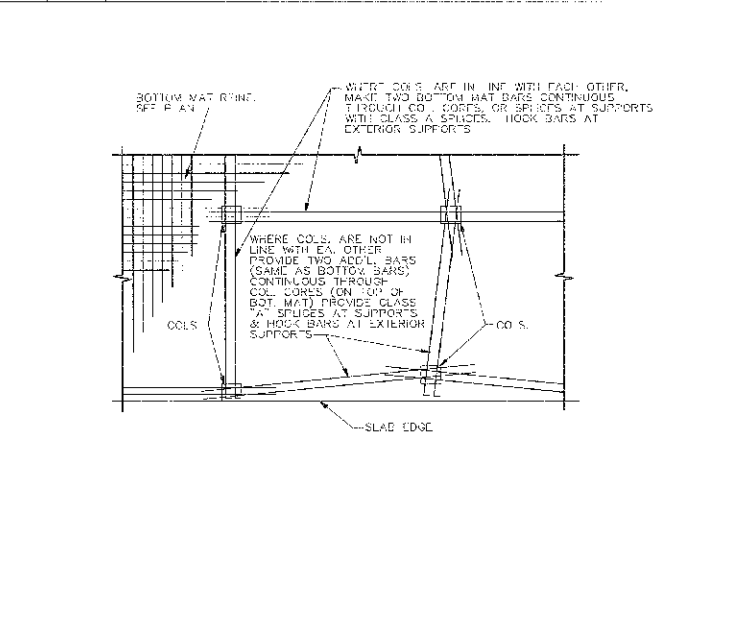


11 1/8" TYP. SLAB CONSTRUCTION JOINT

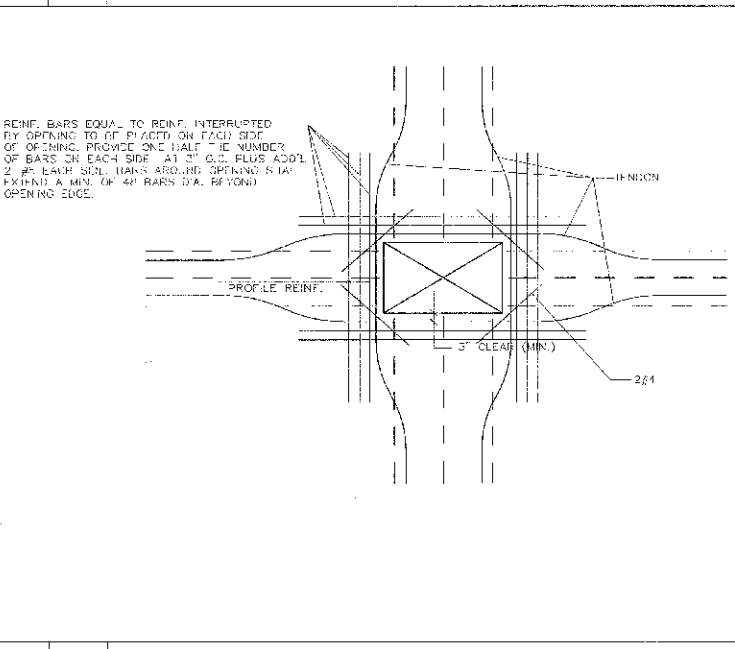


10 1/8" TYPICAL CLOSURE STRIP DETAIL

9 1/8" TYPICAL DETAIL OF EDGE CONDITION AT TWO-WAY

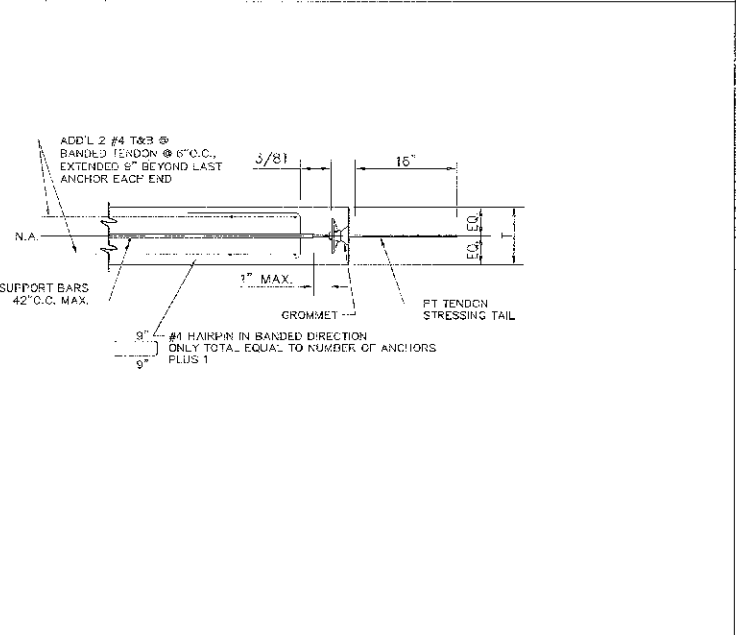


8 1/8" BOTTOM SLAB REINFORCEMENT

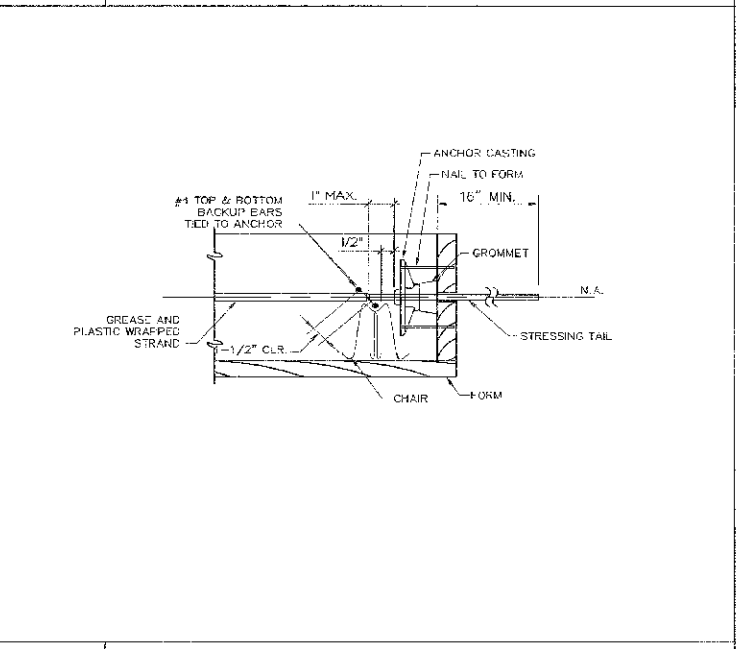


7 1/8" REINFORCEMENT AT FLARED P.T. CABLES

6 1/8" TENDON PLACEMENT AT OPENING 25" OR LARGER

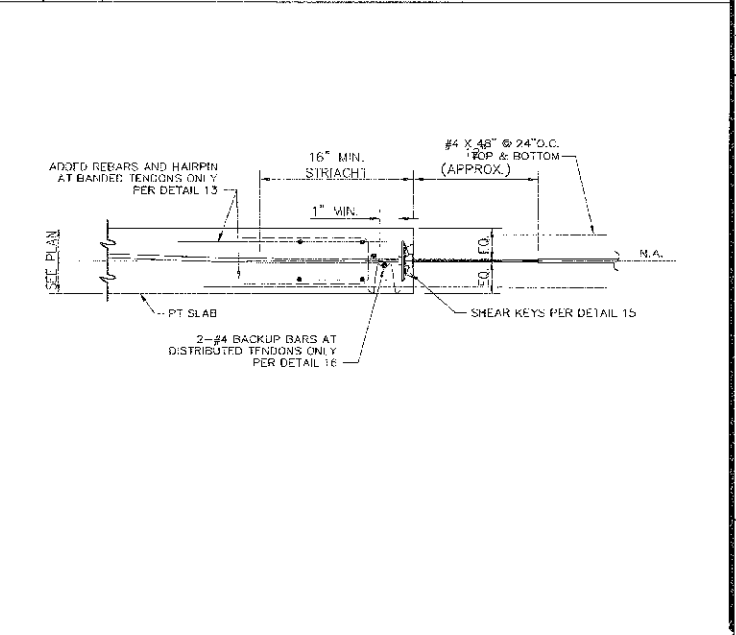


5 1/8" FLARING OF BANDED TENDONS AT SLAB EDGE

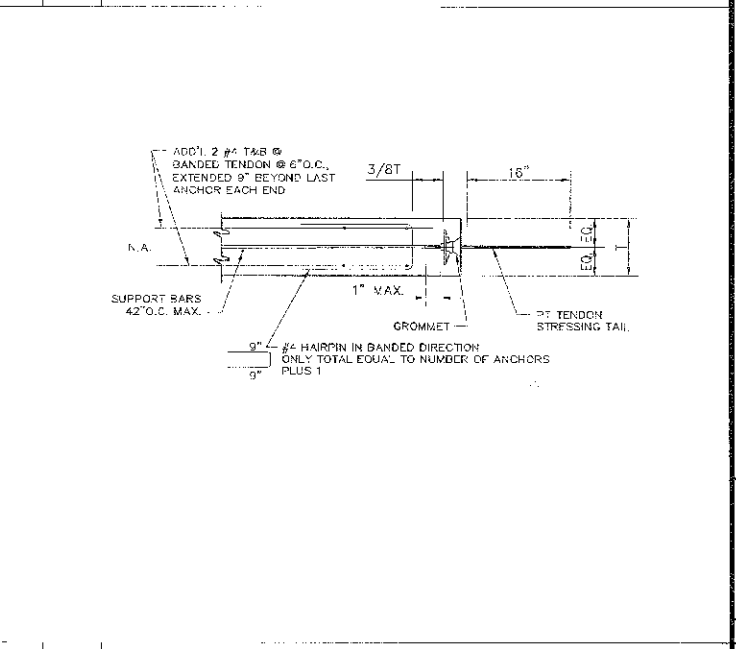


4 1/8" STRESSING END ANCHOR FOR DISTRIBUTED TENDONS

3 1/8" CONSTRUCTION JOINT WITH NO INTERMEDIATE STRESSING



2 1/8" CONSTRUCTION JOINT WITH INTERMEDIATE STRESSING



1 1/8" STRESSING END ANCHORS SHOWING THE HAIRPIN

**Order plans, please visit <http://www.tdline.com>**  
**12th & Piedmont**  
**STANDARD DETAILS**  
 APPROVAL ISSUED FOR  
 SUBMITTAL  
 0 1-11-26  
 DBS  
 DRN  
 CAB  
 CHK  
 JDC  
 VSL  
 VSL CONSULTING, INC.  
 141 FORT LEE PI. SUITE 800  
 FORT LEE, NJ 07024  
 (908) 251-1000  
 (908) 251-1001  
 (908) 251-1002  
 (908) 251-1003  
 (908) 251-1004  
 (908) 251-1005  
 (908) 251-1006  
 (908) 251-1007  
 (908) 251-1008  
 (908) 251-1009  
 (908) 251-1010  
 (908) 251-1011  
 (908) 251-1012  
 (908) 251-1013  
 (908) 251-1014  
 (908) 251-1015  
 (908) 251-1016  
 (908) 251-1017  
 (908) 251-1018  
 (908) 251-1019  
 (908) 251-1020  
 (908) 251-1021  
 (908) 251-1022  
 (908) 251-1023  
 (908) 251-1024  
 (908) 251-1025  
 (908) 251-1026  
 (908) 251-1027  
 (908) 251-1028  
 (908) 251-1029  
 (908) 251-1030  
 (908) 251-1031  
 (908) 251-1032  
 (908) 251-1033  
 (908) 251-1034  
 (908) 251-1035  
 (908) 251-1036  
 (908) 251-1037  
 (908) 251-1038  
 (908) 251-1039  
 (908) 251-1040  
 (908) 251-1041  
 (908) 251-1042  
 (908) 251-1043  
 (908) 251-1044  
 (908) 251-1045  
 (908) 251-1046  
 (908) 251-1047  
 (908) 251-1048  
 (908) 251-1049  
 (908) 251-1050  
 (908) 251-1051  
 (908) 251-1052  
 (908) 251-1053  
 (908) 251-1054  
 (908) 251-1055  
 (908) 251-1056  
 (908) 251-1057  
 (908) 251-1058  
 (908) 251-1059  
 (908) 251-1060  
 (908) 251-1061  
 (908) 251-1062  
 (908) 251-1063  
 (908) 251-1064  
 (908) 251-1065  
 (908) 251-1066  
 (908) 251-1067  
 (908) 251-1068  
 (908) 251-1069  
 (908) 251-1070  
 (908) 251-1071  
 (908) 251-1072  
 (908) 251-1073  
 (908) 251-1074  
 (908) 251-1075  
 (908) 251-1076  
 (908) 251-1077  
 (908) 251-1078  
 (908) 251-1079  
 (908) 251-1080  
 (908) 251-1081  
 (908) 251-1082  
 (908) 251-1083  
 (908) 251-1084  
 (908) 251-1085  
 (908) 251-1086  
 (908) 251-1087  
 (908) 251-1088  
 (908) 251-1089  
 (908) 251-1090  
 (908) 251-1091  
 (908) 251-1092  
 (908) 251-1093  
 (908) 251-1094  
 (908) 251-1095  
 (908) 251-1096  
 (908) 251-1097  
 (908) 251-1098  
 (908) 251-1099  
 (908) 251-1100  
 (908) 251-1101  
 (908) 251-1102  
 (908) 251-1103  
 (908) 251-1104  
 (908) 251-1105  
 (908) 251-1106  
 (908) 251-1107  
 (908) 251-1108  
 (908) 251-1109  
 (908) 251-1110  
 (908) 251-1111  
 (908) 251-1112  
 (908) 251-1113  
 (908) 251-1114  
 (908) 251-1115  
 (908) 251-1116  
 (908) 251-1117  
 (908) 251-1118  
 (908) 251-1119  
 (908) 251-1120  
 (908) 251-1121  
 (908) 251-1122  
 (908) 251-1123  
 (908) 251-1124  
 (908) 251-1125  
 (908) 251-1126  
 (908) 251-1127  
 (908) 251-1128  
 (908) 251-1129  
 (908) 251-1130  
 (908) 251-1131  
 (908) 251-1132  
 (908) 251-1133  
 (908) 251-1134  
 (908) 251-1135  
 (908) 251-1136  
 (908) 251-1137  
 (908) 251-1138  
 (908) 251-1139  
 (908) 251-1140  
 (908) 251-1141  
 (908) 251-1142  
 (908) 251-1143  
 (908) 251-1144  
 (908) 251-1145  
 (908) 251-1146  
 (908) 251-1147  
 (908) 251-1148  
 (908) 251-1149  
 (908) 251-1150  
 (908) 251-1151  
 (908) 251-1152  
 (908) 251-1153  
 (908) 251-1154  
 (908) 251-1155  
 (908) 251-1156  
 (908) 251-1157  
 (908) 251-1158  
 (908) 251-1159  
 (908) 251-1160  
 (908) 251-1161  
 (908) 251-1162  
 (908) 251-1163  
 (908) 251-1164  
 (908) 251-1165  
 (908) 251-1166  
 (908) 251-1167  
 (908) 251-1168  
 (908) 251-1169  
 (908) 251-1170  
 (908) 251-1171  
 (908) 251-1172  
 (908) 251-1173  
 (908) 251-1174  
 (908) 251-1175  
 (908) 251-1176  
 (908) 251-1177  
 (908) 251-1178  
 (908) 251-1179  
 (908) 251-1180  
 (908) 251-1181  
 (908) 251-1182  
 (908) 251-1183  
 (908) 251-1184  
 (908) 251-1185  
 (908) 251-1186  
 (908) 251-1187  
 (908) 251-1188  
 (908) 251-1189  
 (908) 251-1190  
 (908) 251-1191  
 (908) 251-1192  
 (908) 251-1193  
 (908) 251-1194  
 (908) 251-1195  
 (908) 251-1196  
 (908) 251-1197  
 (908) 251-1198  
 (908) 251-1199  
 (908) 251-1200  
 (908) 251-1201  
 (908) 251-1202  
 (908) 251-1203  
 (908) 251-1204  
 (908) 251-1205  
 (908) 251-1206  
 (908) 251-1207  
 (908) 251-1208  
 (908) 251-1209  
 (908) 251-1210  
 (908) 251-1211  
 (908) 251-1212  
 (908) 251-1213  
 (908) 251-1214  
 (908) 251-1215  
 (908) 251-1216  
 (908) 251-1217  
 (908) 251-1218  
 (908) 251-1219  
 (908) 251-1220  
 (908) 251-1221  
 (908) 251-1222  
 (908) 251-1223  
 (908) 251-1224  
 (908) 251-1225  
 (908) 251-1226  
 (908) 251-1227  
 (908) 251-1228  
 (908) 251-1229  
 (908) 251-1230  
 (908) 251-1231  
 (908) 251-1232  
 (908) 251-1233  
 (908) 251-1234  
 (908) 251-1235  
 (908) 251-1236  
 (908) 251-1237  
 (908) 251-1238  
 (908) 251-1239  
 (908) 251-1240  
 (908) 251-1241  
 (908) 251-1242  
 (908) 251-1243  
 (908) 251-1244  
 (908) 251-1245  
 (908) 251-1246  
 (908) 251-1247  
 (908) 251-1248  
 (908) 251-1249  
 (908) 251-1250  
 (908) 251-1251  
 (908) 251-1252  
 (908) 251-1253  
 (908) 251-1254  
 (908) 251-1255  
 (908) 251-1256  
 (908) 251-1257  
 (908) 251-1258  
 (908) 251-1259  
 (908) 251-1260  
 (908) 251-1261  
 (908) 251-1262  
 (908) 251-1263  
 (908) 251-1264  
 (908) 251-1265  
 (908) 251-1266  
 (908) 251-1267  
 (908) 251-1268  
 (908) 251-1269  
 (908) 251-1270  
 (908) 251-1271  
 (908) 251-1272  
 (908) 251-1273  
 (908) 251-1274  
 (908) 251-1275  
 (908) 251-1276  
 (908) 251-1277  
 (908) 251-1278  
 (908) 251-1279  
 (908) 251-1280  
 (908) 251-1281  
 (908) 251-1282  
 (908) 251-1283  
 (908) 251-1284  
 (908) 251-1285  
 (908) 251-1286  
 (908) 251-1287  
 (908) 251-1288  
 (908) 251-1289  
 (908) 251-1290  
 (908) 251-1291  
 (908) 251-1292  
 (908) 251-1293  
 (908) 251-1294  
 (908) 251-1295  
 (908) 251-1296  
 (908) 251-1297  
 (908) 251-1298  
 (908) 251-1299  
 (908) 251-1300  
 (908) 251-1301  
 (908) 251-1302  
 (908) 251-1303  
 (908) 251-1304  
 (908) 251-1305  
 (908) 251-1306  
 (908) 251-1307  
 (908) 251-1308  
 (908) 251-1309  
 (908) 251-1310  
 (908) 251-1311  
 (908) 251-1312  
 (908) 251-1313  
 (908) 251-1314  
 (908) 251-1315  
 (908) 251-1316  
 (908) 251-1317  
 (908) 251-1318  
 (908) 251-1319  
 (908) 251-1320  
 (908) 251-1321  
 (908) 251-1322  
 (908) 251-1323  
 (908) 251-1324  
 (908) 251-1325  
 (908) 251-1326  
 (908) 251-1327  
 (908) 251-1328  
 (908) 251-1329  
 (908) 251-1330  
 (908) 251-1331  
 (908) 251-1332  
 (908) 251-1333  
 (908) 251-1334  
 (908) 251-1335  
 (908) 251-1336  
 (908) 251-1337  
 (908) 251-1338  
 (908) 251-1339  
 (908) 251-1340  
 (908) 251-1341  
 (908) 251-1342  
 (908) 251-1343  
 (908) 251-1344  
 (908) 251-1345  
 (908) 251-1346  
 (908) 251-1347  
 (908) 251-1348  
 (908) 251-1349  
 (908) 251-1350  
 (908) 251-1351  
 (908) 251-1352  
 (908) 251-1353  
 (908) 251-1354  
 (908) 251-1355  
 (908) 251-1356  
 (908) 251-1357  
 (908) 251-1358  
 (908) 251-1359  
 (908) 251-1360  
 (908) 251-1361  
 (908) 251-1362  
 (908) 251-1363  
 (908) 251-1364  
 (908) 251-1365  
 (908) 251-1366  
 (908) 251-1367  
 (908) 251-1368  
 (908) 251-1369  
 (908) 251-1370  
 (908) 251-1371  
 (908) 251-1372  
 (908) 251-1373  
 (908) 251-1374  
 (908) 251-1375  
 (908) 251-1376  
 (908) 251-1377  
 (908) 251-1378  
 (908) 251-1379  
 (908) 251-1380  
 (908) 251-1381  
 (908) 251-1382  
 (908) 251-1383  
 (908) 251-1384  
 (908) 251-1385  
 (908) 251-1386  
 (908) 251-1387  
 (908) 251-1388  
 (908) 251-1389  
 (908) 251-1390  
 (908) 251-1391  
 (908) 251-1392  
 (908) 251-1393  
 (908) 251-1394  
 (908) 251-1395  
 (908) 251-1396  
 (908) 251-1397  
 (908) 251-1398  
 (908) 251-1399  
 (908) 251-1400  
 (908) 251-1401  
 (908) 251-1402  
 (908) 251-1403  
 (908) 251-1404  
 (908) 251-1405  
 (908) 251-1406  
 (908) 251-1407  
 (908) 251-1408  
 (908) 251-1409  
 (908) 251-1410  
 (908) 251-1411  
 (908) 251-1412  
 (908) 251-1413  
 (908) 251-1414  
 (908) 251-1415  
 (908) 251-1416  
 (908) 251-1417  
 (908) 251-1418  
 (908) 251-1419  
 (908) 251-1420  
 (908) 251-1421  
 (908) 251-1422  
 (908) 251-1423  
 (908) 251-1424  
 (908) 251-1425  
 (908) 251-1426  
 (908) 251-1427  
 (908) 251-1428  
 (908) 251-1429  
 (908) 251-1430  
 (908) 251-1431  
 (908) 251-1432  
 (908) 251-1433  
 (908) 251-1434  
 (908) 251-1435  
 (908) 251-1436  
 (908) 251-1437  
 (908) 251-1438  
 (908) 251-1439  
 (908) 251-1440  
 (908) 251-1441  
 (908) 251-1442  
 (908) 251-1443  
 (908) 251-1444  
 (908) 251-1445  
 (908) 251-1446  
 (908) 251-1447  
 (908) 251-1448  
 (908) 251-1449  
 (908) 251-1450  
 (908) 251-1451  
 (908) 251-1452  
 (908) 251-1453  
 (908) 251-1454  
 (908) 251-1455  
 (908) 251-1456  
 (908) 251-1457  
 (908) 251-1458  
 (908) 251-1459  
 (908) 251-1460  
 (908) 251-1461  
 (908) 251-1462  
 (908) 251-1463  
 (908) 251-1464  
 (908) 251-1465  
 (908) 251-1466  
 (908) 251-1467  
 (908) 251-1468  
 (908) 251-1469  
 (908) 251-1470  
 (908) 251-1471  
 (908) 251-1472  
 (908) 251-1473  
 (908) 251-1474  
 (908) 251-1475  
 (908) 251-1476  
 (908) 251-1477  
 (908) 251-1478  
 (908) 251-1479  
 (908) 251-1480  
 (908) 251-1481  
 (908) 251-1482  
 (908) 251-1483  
 (908) 251-1484  
 (908) 251-1485  
 (908) 251-1486  
 (908) 251-1487  
 (908) 251-1488  
 (908) 251-1489  
 (908) 251-1490  
 (908) 251-1491  
 (908) 251-1492  
 (908) 251-1493  
 (908) 251-1494  
 (908) 251-1495  
 (908) 251-1496  
 (908) 251-1497  
 (908) 251-1498  
 (908) 251-1499  
 (908) 251-1500  
 (908) 251-1501  
 (908) 251-1502  
 (908) 251-1503  
 (908) 251-1504  
 (908) 251-1505  
 (908) 251-1506  
 (908) 251-1507  
 (908) 251-1508  
 (908) 251-1509  
 (908) 251-1510  
 (908) 251-1511  
 (908) 251-1512  
 (908) 251-1513  
 (908) 251-1514  
 (908) 251-1515  
 (908) 251-1516  
 (908) 251-1517  
 (908) 251-1518  
 (908) 251-1519  
 (908) 251-1520  
 (908) 251-1521  
 (908) 251-1522  
 (908) 251-1523  
 (908) 251-1524  
 (908) 251-1525  
 (908) 251-1526  
 (908) 251-1527  
 (908) 251-1528  
 (908) 251-1529  
 (908) 251-1530  
 (908) 251-1531  
 (908) 251-1532  
 (908) 251-1533  
 (908) 251-1534  
 (908) 251-1535  
 (908) 251-1536  
 (908) 251-1537  
 (908) 251-1538  
 (908) 251-1539  
 (908) 251-1540  
 (908) 251-1541  
 (908) 251-1542  
 (908) 251-1543  
 (908) 251-1544  
 (908) 251-1545  
 (908) 251-1546  
 (908) 251-15