

TO ORDER PLANS GO TO idiline.com

GENERAL NOTES:

- A. COORDINATE EXACT LOCATION OF CEILING DIFFUSERS AND PRIMITIVES WITH ARCHITECTURAL CEILING PLAN AND ELECTRICAL LIGHTING.
- B. REFER TO SHEET P-4 FOR SCHEDULES AND DETAILS.
- C. REFER TO SHEET P-4 FOR THE GAS PIPING ON THE ROOF.
- D. PROVIDE ALL NECESSARY DUCT TRANSITIONS TO AND FROM ALL ROOF TOP UNITS.
- E. INSTALL AIRGUARD FILTERS IN ALL HVAC UNITS. PROVIDE AND INSTALL AIRGUARD DP-8 (BROOKLINE 9CA-289) 2" THICK, PLEATED FILTERS SIZED FOR EACH UNIT. CONTACT ENR AIRGUARD 8887 BIRNAP LANE LOUISVILLE, KY 40258 P-1 - 1-800-258-3-888

KEYED NOTES:

- 1. 18"Ø DUCT TO THE HSA SUPPLY PLUMB OF HOOD. CONNECT FULL SIZE TO HOOD COLLAR. PROVIDE WITH BALANCING DAMPER.
- 2. CEILING MOUNTED AIRMASSATOR.
- 3. ROUTE DUCTWORK TIGHT TO DECK IN TRUSS SPACING.
- 4. MECHANICAL CONTRACTOR SHALL INSTALL A THERMOSTAT AT 6'Ø ABOVE FINISHED FLOOR UNLESS OTHERWISE NOTED. THERMOSTAT MAY REQUIRE LINE VOLTAGE. SEE MECHANICAL EQUIPMENT SCHEDULE.
- 5. ROUTE 2"Ø TYPE B WATER HEATER VENT THROUGH THE MECHANICAL ROOF FLOOR. REFER TO P-6A.
- 6. ATTACH HOOD TO BACK WALL USING STAINLESS STEEL GREGG-BALMANN AND SCRUBS SEAL HOOD TO BACK WALL. LEAKS 1/8"Ø HIGH TEMPERATURE SEALANT.
- 7. CONNECT DUCT WITH VOLUME DAMPER TO THE BOTTOM OF DUCT.
- 8. 18"Ø UP THRU ROOF TO EF-3. OFFSET DUCTWORK BETWEEN STRUCTURE AND HOOD COLLAR TO LINE UP WITH JOINT SPACING.
- 9. 18"Ø UP THRU ROOF TO EF-3. OFFSET DUCTWORK BETWEEN STRUCTURE AND HOOD COLLAR TO LINE UP WITH JOINT SPACING.
- 10. 18"Ø UP THRU ROOF TO EF-3. OFFSET DUCTWORK BETWEEN STRUCTURE AND HOOD COLLAR TO LINE UP WITH JOINT SPACING.
- 11. MOUNT UNIT HEATER INSIDE MECHANICAL ROOF AS TIGHT TO CEILING AS POSSIBLE WITHOUT OBSTRUCTING AIRFLOW.
- 12. SMOKE DETECTOR.
- 13. LINE RETURN DUCTWORK WITH SOUND DAMPENING MATERIAL. MAINTAIN MINIMUM CLEAR DIMENSIONS AS SHOWN ON PLAN.
- 14. MECHANICAL CONTRACTOR SHALL INSTALL THE RETURN DUCT HANGERS IN THIS APPROPRIATE LOCATION OF THE RETURN DUCT. SEE MECHANICAL EQUIPMENT SCHEDULE.
- 15. ROUTE DUCTWORK THROUGH TRUSSES OF STRUCTURE.
- 16. ROUTE DUCTWORK TIGHT TO BOTTOM OF TRUSSES.
- 17. 18"Ø UP THRU ROOF TO EF-3.
- 18. DUCTWORK SHALL BE 16 GA. STAINLESS STEEL OR ALUMINUM AND WELDED LEAK TIGHT. SLOPE DUCTWORK BACK TO HOOD.
- 19. 18"Ø UP THRU ROOF TO EF-4.
- 20. DOOR LAMER. REFER TO SHEET A-4.
- 21. TAP THE TOP OF THE MAIN BRANCH TO CONNECT DUCTWORK.
- 22. PROVIDE DROP FROM RTU CONNECTION AS SHOWN TRANSITION AND OFFSET AS REQUIRED.
- 23. 18"Ø DUCT TO THE HSA SUPPLY PLUMB OF HOOD. CONNECT FULL SIZE TO HOOD COLLAR. PROVIDE WITH BALANCING DAMPER.
- 24. 18"Ø DUCT TO THE AC SUPPLY PLUMB OF HOOD. CONNECT FULL SIZE TO HOOD COLLAR. PROVIDE WITH BALANCING DAMPER.
- 25. UNIT MOUNTED THERMOSTAT. REFER TO SCHEDULES ON SHEET P-4.

wd partners
 7007 Discovery Blvd.
 Dublin, OH 43017
 614.854.7000 T
 614.854.7777 F
 wdp@wd.com

Austin
 Boston
 Chicago
 Columbus
 Dallas
 Los Angeles
 Miami
 Sacramento

LONGHORN
 STEAKHOUSE

590 N. HWY 27/441
 LADY LAKE, FL 32159

ISSUED DATE	REVISION	COMMENT
08/04/07	ISSUED TO OWNER FOR REVIEW	
08/04/07	ISSUED FOR BIDDING PURPOSE	
08/04/07	ISSUED FOR BID	

PROTOTYPE
 LADY/07
 STORE NUMBER
 VPD PROJECT NUMBER
 RB141193

M1

MECHANICAL PLAN



FAN SCHEDULE

MARK	CFM	S.P.	VOLTS/PHASE	FAN HP	AREA SERVED	MANUFACTURER/ MODEL	WEIGHT	NOTES
EF-1	300	1/2"	208	3/4	KITCHEN HOOD #1	CAPTIVE-ARE NEARA	140P	
EF-2	250	1/2"	208	3/4	KITCHEN HOOD #2	CAPTIVE-ARE NEARA	140P	
EF-3	250	1/2"	208	3/4	KITCHEN HOOD #2	CAPTIVE-ARE NEARA	140P	
EF-4	1000	1/2"	208	1/2	KITCHEN HOOD #3	CAPTIVE-ARE NEARA	20P	
EF-5	1000	1/2"	208	1/2	KITCHEN HOOD #4	CAPTIVE-ARE NEARA	20P	(3)
EF-6	1000	1/2"	208	1/2	RESTROOMS	COOK DECKS	20P	(1)(2)(3)
AO-1	1000	1/2"	208	1/2	AIR CURTAIN	HARD	20P	(2)(3)(4)

NOTES:
 (1) INTERLOCK WITH TOILET LIGHT SWITCH (ON/OFF AND REVERSE) DOOR MICRO-SWITCH
 (2) INTERLOCK WITH HMA-3 THROUGH THE DIN MACHINES CONTACT.
 (3) PROVIDE BACKDRAFT DAMPER AND ROOF CURB MOUNT AT 60° ANGLE.
 (4) PROVIDED AND INSTALLED BY CONTRACTOR.

AIR DEVICE SCHEDULE

MARK	REQD. NECK SIZE	ROUND NECK SIZE	FACE SIZE	THROW PATTERN	MOUNTING	MANUFACTURER/ MODEL	NOTES
A	---	REFER TO PLAN	34"X24"	REFER TO PLAN	LAY-IN	TRUB TDC-2A	(2)
B	---	1/2"	34"X24"	REFER TO PLAN	SURFACE	TRUB TDC-2A	(2)
C	---	1/2"	34"X24"	REFER TO PLAN	SURFACE	TRUB TDC-2A	(2)
D	1/2"	---	1/2"	REFER TO PLAN	SURFACE	TRUB TDC-2A	(3)
E	---	1/2"	34"X24"	REFER TO PLAN	LAY-IN	TRUB TDC-2A	
F	1/2"	---	34"X24"	TRANSFER	LAY-IN	TRUB TDC-2A	
G	1/2"	---	1/2"	EXHAUST/TRANSFER	SURFACE	TRUB TDC-2A	(1)
H	---	1/2"	34"X24"	SUPPLY	LAY-IN	TRUB TDC-2A	
I	1/2"	---	34"X24"	RETURN	LAY-IN	TRUB TDC-2A	
J	1/2"	---	48"X24"	RETURN	LAY-IN	TRUB TDC-2A	

GENERAL NOTES:
 A. ALL DEVICES SHALL BE WHITE FROM THE MANUFACTURER AND PRANK TO MATCH CEILING OR WALL.
 B. ALL DEVICES SHALL BE 4" BAY UNLESS SHOWN OTHERWISE ON DRAWING.
 C. PROVIDE WITH OPPOSITE BLADE DAMPER.
 D. PROVIDE WITH 1/2" BAY BACKDRAFT DAMPER PRIOR TO DISCONNECT LINE. THE OPENING SHALL BE 3'-10" x 5'-0".
 E. PROVIDE WITH TRANSITION TO ROUND DUCTWORK AS REQUIRED.

HEATER SCHEDULE

MARK	MANUFACTURER	MODEL	KW	CFM	V/PH/Hz	NOTES
UH-1	CFARK	FMHS-8	3.0	300	208V/1PH/60	(1)(2)(3)
EB-1, EB-2	CFARK	CFKC-300	300 WATTS	---	208V/1PH/60	(4)(5)

NOTES:
 (1) MOUNT UNIT HEATER INSIDE MECHANICAL ROOM AS TIGHT TO CEILING AS POSSIBLE WITHOUT OBSTRUCTING AIRFLOW.
 (2) PROVIDE WITH INFINITE ADJUSTED THERMOSTAT (LINE VOLTAGE DOUBLE POLE) SET AT 68° F.
 (3) PROVIDE NECESSARY MOUNTING BRACKET AND ACCESSORIES FOR MOUNTING.
 (4) PAINT MESH BRACK REFER TO BEST AT.
 (5) PROVIDE WITH (1) DISCONNECT TAPPER PRIOR TO DISCONNECT TO SERVE BOTH EB-1 + EB-2. CAN BE SUBSTITUTED WITH GA (EB-1/EB-2)

MECHANICAL EQUIPMENT SCHEDULE (OWNER PROVIDED EQUIPMENT)

MARK	CFM	O.A. CFM	S.P.	VOLTS/PHASE	FAN HP	MCA/MDOP	EVS/SEER	HEATING		COOLING		ENT. D.B.	ENT. W.B.	MANUFACTURER/ MODEL	WEIGHT	NOTES
								INPUT MBH	OUTPUT MBH	SENA MBH	TOTAL MBH					
RTU-1	4200	1000	0.2"	208	3.0	1.5	10.0	300.0	204.0	9.0	103.0	14.0	70.0	TRANE YORK/DAELAA	3400P	(1)(2)(3)(4)(5)(6)(7)
RTU-2	2000	500	0.2"	208	1.5	1.5	10.0	150.0	100.0	4.5	51.0	4.0	26.0	TRANE YORK/DAELAA	1600P	(1)(2)(3)(4)(5)(6)(7)
RTU-3	3400	800	0.2"	208	2.0	1.5	10.0	200.0	130.0	6.0	60.0	7.0	37.0	TRANE YORK/DAELAA	2800P	(1)(2)(3)(4)(5)(6)(7)
RTU-4	1200	300	0.2"	208	0.8	1.5	10.0	70.0	45.0	3.0	30.0	3.0	15.0	TRANE YORK/DAELAA	1400P	(1)(2)(3)(4)(5)(6)(7)
MUA-1	1700	1700	0.2"	208	3.0	---	---	---	---	---	---	---	---	CAPTIVE ARE	20P	
MUA-2	100	100	0.2"	208	1.0	---	---	---	---	---	---	---	---	CAPTIVE ARE	20P	

NOTES:
 (1) SMOKE DETECTOR (SUPPLY + RETURN SIDE) FACTORY INSTALLED. RTU SHALL SHUTDOWN MAIN ACTIVATED.
 (2) FURNISH WITH FACTORY INSTALLED PLENUM DISCONNECT.
 (3) ROOF CURB AND THERMOSTAT FURNISHED WITH UNIT.
 (4) PROVIDE FACTORY INSTALLED, FIELD WIRE CONVENIENCE ELECTRIC RECEPTACLE.
 (5) PROVIDE WITH ECONOMIZER.
 (6) PROVIDE WITH ECONOMIZER AND HOT GAS REHEAT.
 (7) PROVIDE WITH POWER EXHAUST. SET AS NOTED IN SCHEDULE.
 (8) REFERENCE MANUFACTURER'S DATA SHEETS FOR ORIENTATION OF RECOMMENDED ROOF OPENINGS FOR DUCT PENETRATIONS.
 (9) REFER TO ME FOR THE MOUNTING LOCATIONS OF THE AMPLIFIERS.
 (10) CONTACT WITH MANUFACTURER NATIONAL ACCOUNT EXECUTIVE FOR TRANS. AT 1-800-376-6781 EXT. 200 FOR CLERKS OR INFORMATION ON THIS EQUIPMENT.
 (11) PROVIDE WITH DUCT HOUNDED AIRFLOW SENSOR.
 (12) PROVIDE WITH BLACK EPOXY COATED COILS AND COIL GUARDS.

AIR BALANCE SCHEDULE

MARK	OUTSIDE AIR	RETURN AIR	SUPPLY AIR	EXHAUST AIR	PRESSURE	PERCENT OUTSIDE AIR
RTU-1	1000	4200	4300	---	-0.00	32%
RTU-2	500	2000	2000	500	-0.00	20%
RTU-3	800	3400	3400	---	-0.00	24%
RTU-4	300	1200	1200	---	-0.00	25%
MUA-1	1700	---	1700	---	-0.10	100%
MUA-2	100	---	100	---	-0.00	100%
EF-1	---	---	---	1000	-0.00	---
EF-2	---	---	---	200	-0.00	---
EF-3	---	---	---	200	-0.00	---
EF-4	---	---	---	1000	-0.00	---
EF-5	---	---	---	1000	-0.00	---
EF-6	---	---	---	100	-0.00	---
TOTAL					-0.00	

EXHAUST HOOD SCHEDULE

MARK	HPV'S SIZE	COLLAR SIZE	FAN(S) SERVING	HOOD	NOTES
3	3'-0" LONG	18"X18" CHY 18"X18" CHY	EF-4	37"	
4	7'-0" LONG	18"X18" CHY 18"X18" CHY	EF-5	24"	

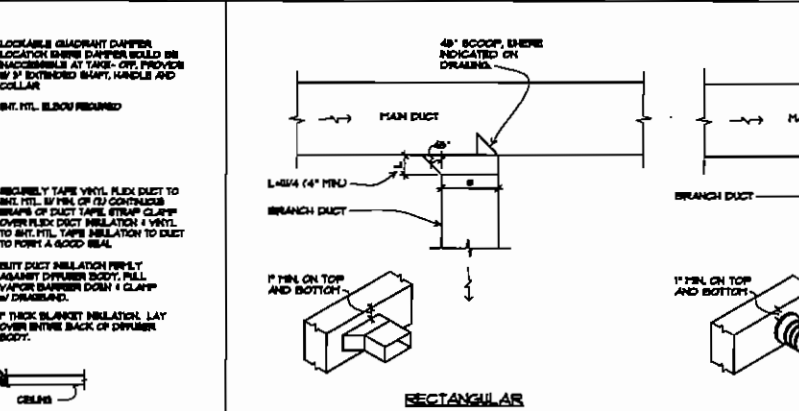
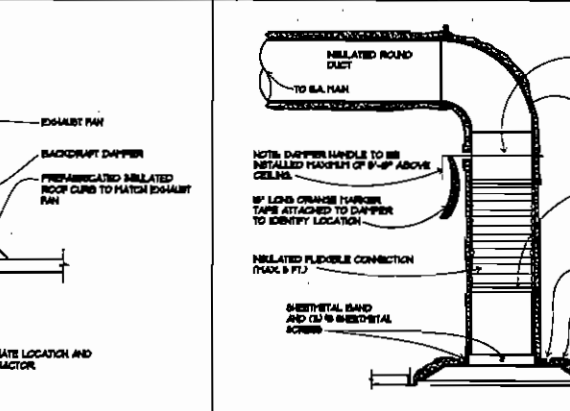
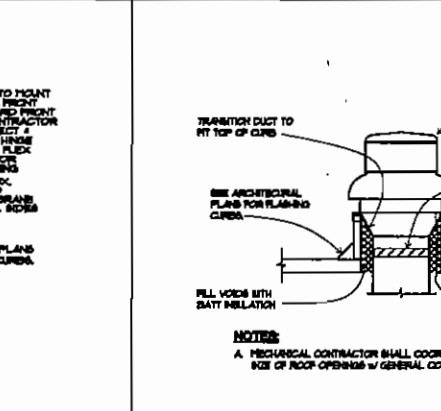
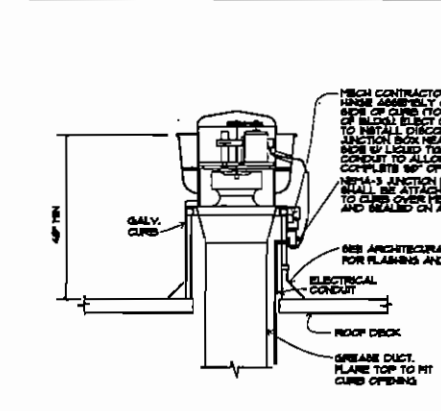
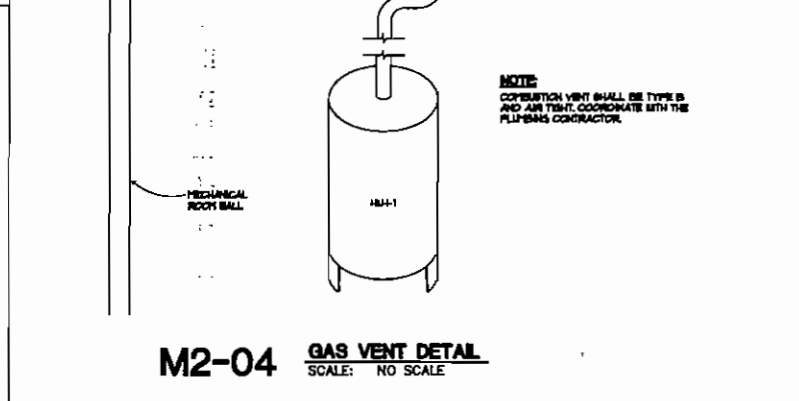
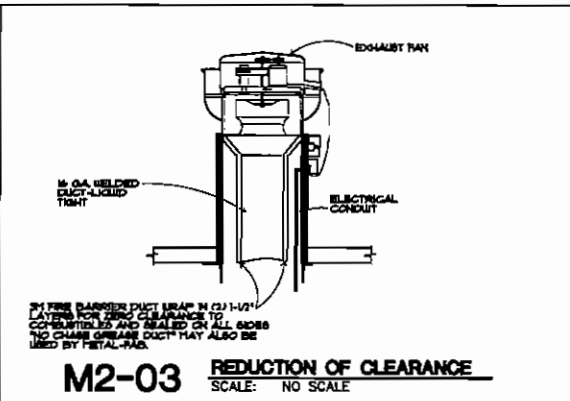
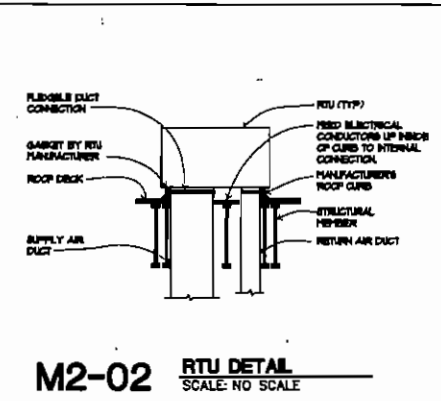
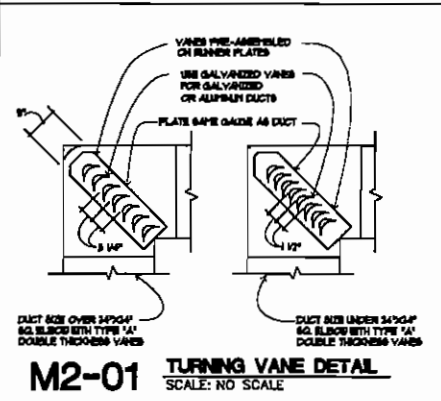
MECHANICAL LEGEND

DETAIL	DESCRIPTION
	SUPPLY DIFFUSER
	RETURN GRILLE
	EXHAUST GRILLE
	THERMOSTAT / AIRFLOW SENSOR
	RECTANGULAR OR ROUND SUPPLY OR RETURN DUCT (AS NOTED)
	NON-RELATED FLEXIBLE DUCT
	MANUAL BALANCE DAMPER
	RECTANGULAR TAKE-OFF FROM RECTANGULAR DUCT WITH MANUAL BALANCE DAMPER
	ROUND TAKE-OFF FROM RECTANGULAR DUCT WITH MANUAL BALANCE DAMPER
	SPLITTER DAMPER
	TURNING VANES (DOUBLE SIDED)
	DUCT SCOOP
	AIR DEVICE DESIGNATION
	SMOKE DETECTOR
	AMPLIFIER

GENERAL NOTES:

A. CONTRACTOR SHALL VERIFY THAT ALL EQUIPMENT, AS SHOWN ON THESE DRAWINGS, WILL NOT CONFLICT WITH ANY EXISTING UTILITIES, ADJACENT VENT, PIPING OR EQUIPMENT.
 B. THE CONTRACTOR SHALL PROVIDE COMPLETE INFORMATION AND COOPERATION TO THE OTHER CONTRACTORS AND TRADES AS REQUIRED FOR COMPLETION AND COORDINATION OF THE COMPLETE PROJECT.
 C. THE MECHANICAL CONTRACTOR SHALL BE RESPONSIBLE FOR ADJUSTING ALL DAMPERS ON SUPPLYING EACH HE INSTALLS.
 D. ALL ROOF PENS-UP AIR INTAKES AND OUTSIDE AIR INTAKES SHALL BE A MINIMUM OF 12" FROM ANY EXHAUST FAN, EXHAUST GAS EXHAUST OR PLUMBING VENT.
 E. PROVIDE VENTILATION ISOLATION DEVICES AND FLEXIBLE CONNECTIONS TO ALL TRAVEL MACHINERY.
 F. ALL FLEXIBLE DUCTS SHALL BE SUPPORTED EVERY 7'-0" WITH 1" SIDE GALV. STEEL BANDS WITH A MINIMUM OF ONE PER EACH SECTION OF FLEXIBLE DUCT.
 G. ALL DUCT DIMENSIONS SHOWN ON DRAWINGS ARE CLEARANCE DIMENSIONS.
 H. THE CONTRACTOR SHALL COORDINATE WITH THE GENERAL CONTRACTOR AND OTHER TRADES, ALL REQUIRED OPENINGS IN FOUNDATIONS, FLOORS, WALLS AND ROOF SHALL BE CORRECTED INTO THE STRUCTURE WITH THE USE OF ELEVATOR CURBS, ETC. CUTTING AND PATCHING SHALL BE HELD TO A MINIMUM.
 I. ALL TRAP PROTECTORS THROUGH ROOF SHALL BE PLACED THROUGH CURBS OR PIPE BEADS A MINIMUM OF 12" ABOVE THE ROOF. THE PIPE CURBS AND BEADS SHALL BE INSTALLED BY THE ROOFING CONTRACTOR. INSURE THAT APPLICABLE ELECTRICAL CONDUIT PENETRATIONS ARE PROVIDED TO ACCOMMODATE ANY ELECTRICAL CONDUIT PENETRATIONS REQUIRED.
 J. MECHANICAL CONTRACTOR TO FINISH AND INSTALL 1" MIN BLACK WIRE MESH FOR ROOFTOP MECHANICAL EQUIPMENT.
 K. ALL HORIZONTAL EXHAUST DUCT PENS SHALL BE TYPICALLY BACK TO SOURCE.

TO ORDER PLANS GO TO Idiline.com



707 D. Academy Blvd
 Suite 101
 Ft. Lauderdale, FL 33309
 954.534.7777 F

LONGHORN STEAKHOUSE

590 N. HWY 27/441
 LADY LAKE, FL 32169

ISSUED DATE	COMMENT
01/20/17	ISSUED TO OWNER FOR REVIEW
01/20/17	ISSUED FOR BIDDING PERMIT
01/20/17	ISSUED FOR BID

PROTOTYPE: L170107
 STORE NUMBER: R1611203
 WD PROJECT NUMBER: R1611203

M2

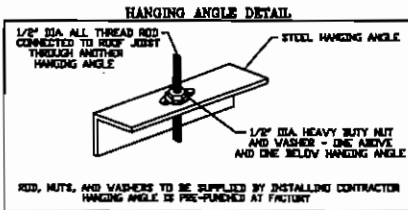
MECH. SCHEDULES & DETAILS

HOOD INFORMATION														
NO.	REQD.	LENGTH	MATERIAL	EXHAUST FLOW				SUPPLY FLOW				HOOD CONSTRUCTION	TYPE OF HOOD	
				CFM	VELOCITY	TYPE	SIZE	CFM	VELOCITY	TYPE	SIZE			
1	REQD.	12' 0"	304 SS	1000	100	100	100	100	100	100	100	100	100	100
2	REQD.	12' 0"	304 SS	1000	100	100	100	100	100	100	100	100	100	100
3	REQD.	12' 0"	304 SS	1000	100	100	100	100	100	100	100	100	100	100
4	REQD.	12' 0"	304 SS	1000	100	100	100	100	100	100	100	100	100	100
5	REQD.	12' 0"	304 SS	1000	100	100	100	100	100	100	100	100	100	100
6	REQD.	12' 0"	304 SS	1000	100	100	100	100	100	100	100	100	100	100
7	REQD.	12' 0"	304 SS	1000	100	100	100	100	100	100	100	100	100	100
8	REQD.	12' 0"	304 SS	1000	100	100	100	100	100	100	100	100	100	100
9	REQD.	12' 0"	304 SS	1000	100	100	100	100	100	100	100	100	100	100

HOOD INFORMATION - LISTED											
NO.	TYPE	REQUIREMENT	LOCATION	TYPE	LOCATION	TYPE	LOCATION	TYPE	LOCATION	TYPE	LOCATION
1	Non-Baffle / Baffle	12' 0" / 12' 0"	12' 0" / 12' 0"	Incandescent Light	NO	Left	Parachute	48V/5A	INCORP	1 1/2" DIA	Outside
2	Non-Baffle / Baffle	12' 0" / 12' 0"	12' 0" / 12' 0"	Incandescent Light	NO						
3	Non-Baffle / Baffle	12' 0" / 12' 0"	12' 0" / 12' 0"	Incandescent Light	NO						
4	Non-Baffle / Baffle	12' 0" / 12' 0"	12' 0" / 12' 0"	Incandescent Light	NO						
5	Non-Baffle / Baffle	12' 0" / 12' 0"	12' 0" / 12' 0"	Incandescent Light	NO						
6	Non-Baffle / Baffle	12' 0" / 12' 0"	12' 0" / 12' 0"	Incandescent Light	NO						
7	Non-Baffle / Baffle	12' 0" / 12' 0"	12' 0" / 12' 0"	Incandescent Light	NO						
8	Non-Baffle / Baffle	12' 0" / 12' 0"	12' 0" / 12' 0"	Incandescent Light	NO						
9	Non-Baffle / Baffle	12' 0" / 12' 0"	12' 0" / 12' 0"	Incandescent Light	NO						

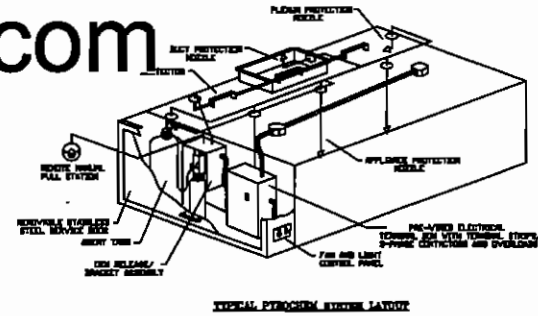
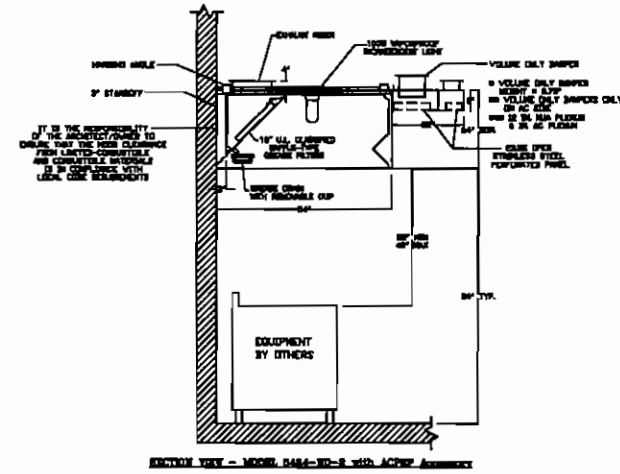
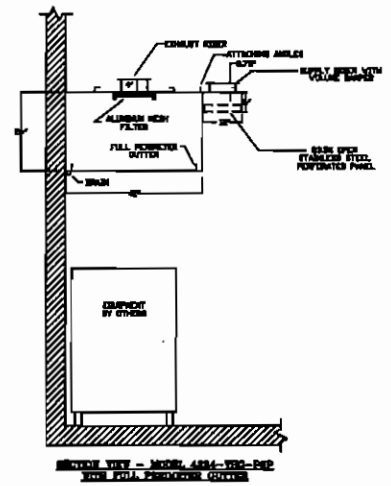
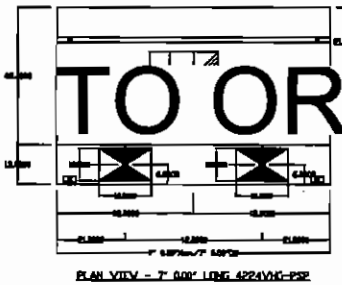
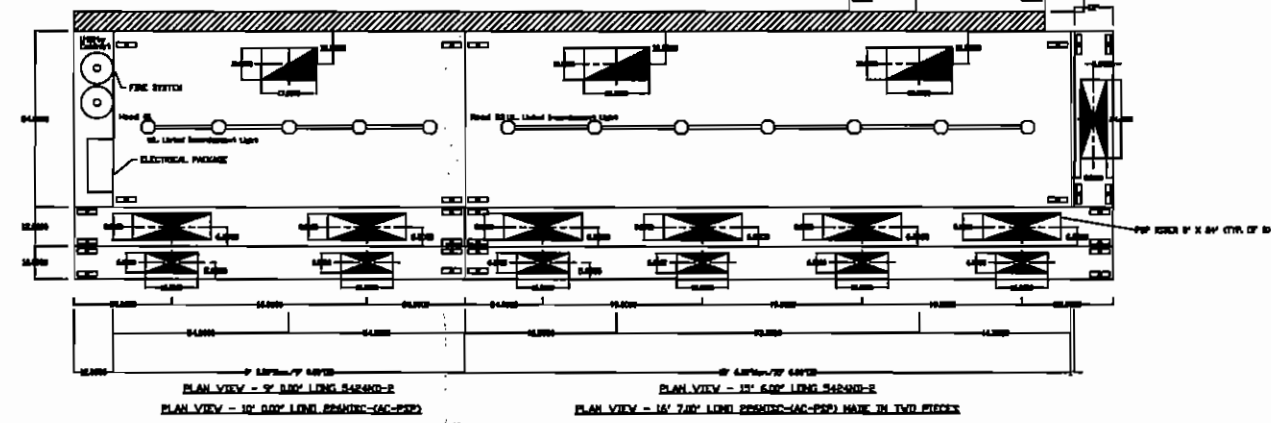
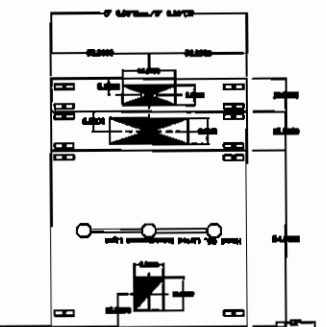
PERFORATED SUPPLY PLATE(S)											
NO.	POS.	LENGTH	WIDTH	HEIGHT	THICKNESS	PERFORATION	TYPE	LOCATION	TYPE	LOCATION	TYPE
1	FRONT	12' 0"	12' 0"	1/2"	1/8"	1/8"	ALUMINUM	FRONT	FRONT	FRONT	FRONT
2	FRONT	12' 0"	12' 0"	1/2"	1/8"	1/8"	ALUMINUM	FRONT	FRONT	FRONT	FRONT
3	FRONT	12' 0"	12' 0"	1/2"	1/8"	1/8"	ALUMINUM	FRONT	FRONT	FRONT	FRONT
4	FRONT	12' 0"	12' 0"	1/2"	1/8"	1/8"	ALUMINUM	FRONT	FRONT	FRONT	FRONT
5	FRONT	12' 0"	12' 0"	1/2"	1/8"	1/8"	ALUMINUM	FRONT	FRONT	FRONT	FRONT
6	FRONT	12' 0"	12' 0"	1/2"	1/8"	1/8"	ALUMINUM	FRONT	FRONT	FRONT	FRONT
7	FRONT	12' 0"	12' 0"	1/2"	1/8"	1/8"	ALUMINUM	FRONT	FRONT	FRONT	FRONT
8	FRONT	12' 0"	12' 0"	1/2"	1/8"	1/8"	ALUMINUM	FRONT	FRONT	FRONT	FRONT
9	FRONT	12' 0"	12' 0"	1/2"	1/8"	1/8"	ALUMINUM	FRONT	FRONT	FRONT	FRONT

HOOD OPTIONS											
NO.	OPTION	REQUIREMENT	LOCATION	TYPE	LOCATION	TYPE	LOCATION	TYPE	LOCATION	TYPE	LOCATION
1	DCP VENTED	12' 0"	12' 0"	High	Left						
2	DCP VENTED	12' 0"	12' 0"	High	Left						
3	DCP VENTED	12' 0"	12' 0"	High	Front	Left					
4	DCP VENTED	12' 0"	12' 0"	High	Front	Right					
5	DCP VENTED	12' 0"	12' 0"	High	Left	Right					
6	DCP VENTED	12' 0"	12' 0"	High	Front	Left	Right				
7	DCP VENTED	12' 0"	12' 0"	High	Front	Left	Right				
8	DCP VENTED	12' 0"	12' 0"	High	Left	Right					
9	DCP VENTED	12' 0"	12' 0"	High	Front	Left	Right				



CAPTIVE-AIRE HOODS ARE BUILT IN COMPLIANCE WITH NFPA 96 AND ARE RECOGNIZED BY ONE OR MORE OF THE FOLLOWING:
NSF INTERNATIONAL
ETL LISTED FILE# 3054804-001

PLAN VIEW - 12' 0" DIA LINE 4224VNG-PSP



TO ORDER PLANS GO TO Idiline.com

SPECIFICATIONS: NR-PSP MODEL
THE MODEL NR IS A WALL CANOPY EXHAUST HOOD.
VENTILATION SHALL BE COMPENSATING WITH THE ADDITION OF A PERFORATED SUPPLY PLUME OVER SUPPLY AIR SHALL DISCHARGE THROUGH PERFORATED PANELS AT THE BOTTOM OF PLUME.
THE HOOD COMPONENTS SHALL BE FABRICATED OF TYPE 430 STAINLESS STEEL, 16 OR 14 POUND, ON ALL EXPOSED SURFACES. CONSTRUCTION SHALL BE IN ACCORDANCE WITH NFPA 96.
THE HOOD SHALL BE PROVIDED WITH HANGING ANGLES ON EACH END OF THE HOOD. AN ADDITIONAL SET OF HANGING ANGLES WILL BE PROVIDED FOR HOODS GREATER THAN 12' IN LENGTH.
THE HOOD SHALL BE FITTED WITH UL CLASSIFIED ALUMINUM BAFFLE FILTERS WITH HANDLES. EACH FILTER SHALL BE EASILY REMOVABLE FOR CLEANING. THE FILTERS WILL BRUSH THE GREASE INTO A SLOPED GREASE TRAP SYSTEM WITH REMOVABLE 1/2" DIA CUP FOR EASY CLEANING.
HOOD LIGHTS SHALL BE UL LISTED AND NOT LISTED FOR USE IN COMMERCIAL COOKING HOODS. EACH FIXTURE WILL ACCOMMODATE A 100 WATT INCANDESCENT BULB.
HOOD DIMENSIONS SHALL BE AS SHOWN ON DRAWINGS.

SPECIFICATIONS
THE RESTAURANT FIRE SUPPRESSION SYSTEM SHALL BE THE PRE-ENGINEERED TYPE WITH A FIXED NOZZLE AGENT DISTRIBUTION NETWORK. IT SHALL BE LISTED WITH UNDERWRITERS LABORATORIES, INC. GUL.
THE SYSTEM SHALL BE CAPABLE OF AUTOMATIC DETECTION AND ACTUATION WITH LOCAL OR REMOTE MANUAL ACTUATION. ACCESSORIES SHALL BE AVAILABLE FOR MECHANICAL OR ELECTRICAL GAS LINE SHUT-OFF APPLICATIONS.
THE EXTINGUISHING AGENT SHALL BE A POTASSIUM CARBONATE, POTASSIUM ACETATE-BASED FORMULATION DESIGNED FOR FLAME INHIBITION AND EXTINGUISHMENT OF GREASE RELATED FIRES. IT SHALL BE AVAILABLE IN PLASTIC CONTAINERS WITH INSTRUCTIONS FOR LIQUID AGENT HANDLING AND USAGE.
THE REGULATED RELEASE MECHANISM SHALL BE COMPATIBLE WITH A FUSIBLE LINK DETECTION SYSTEM. THE FUSIBLE LINK SHALL BE SELECTED AND INSTALLED ACCORDING TO THE OPERATING TEMPERATURE IN THE VENTILATING SYSTEM. THE FUSIBLE LINK SHALL BE SUPPORTED BY A DETECTOR BRACKET/ LINGAGE ASSEMBLY.

SHEET 1	
JOB	LONGHORN STEAKHOUSE
LOCATION	VARIOUS
DATE	03/20/08
DESIGNED BY	WD PARTNERS, INC.
CHECKED BY	WD PARTNERS, INC.
SCALE	AS SHOWN

NOTE:
THE CONSTRUCTION DOCUMENTATION CONTAINED ON THIS SHEET WAS NOT PREPARED BY WD PARTNERS, INC. AND IS INCLUDED WITHIN THIS SET FOR REFERENCE ONLY. WD PARTNERS, INC. DID NOT REVIEW THE CONSTRUCTION DOCUMENTATION ON THIS SHEET FOR ERRORS OR OMISSIONS, AND DOES NOT REPRESENT THAT SUCH CONSTRUCTION DOCUMENTATION IS ACCURATE, OR COMPLETE, OR THAT IT COMPLIES WITH APPLICABLE LOCAL, STATE OR FEDERAL LAWS, CODES OR REGULATIONS.

LONGHORN
STEAKHOUSE

590 N. HWY 27/441
LADY LAKE, FL 32159

NO.	DATE	COMMENT
01	03/20/08	ISSUED FOR PERMITS
02	03/20/08	ISSUED FOR PERMITS
03	03/20/08	ISSUED FOR PERMITS

PROTOTYPE
LH7907
STORE NUMBER
WD PROJECT NUMBER
R01J1183
M3
KITCHEN HOODS AND DETAILS

