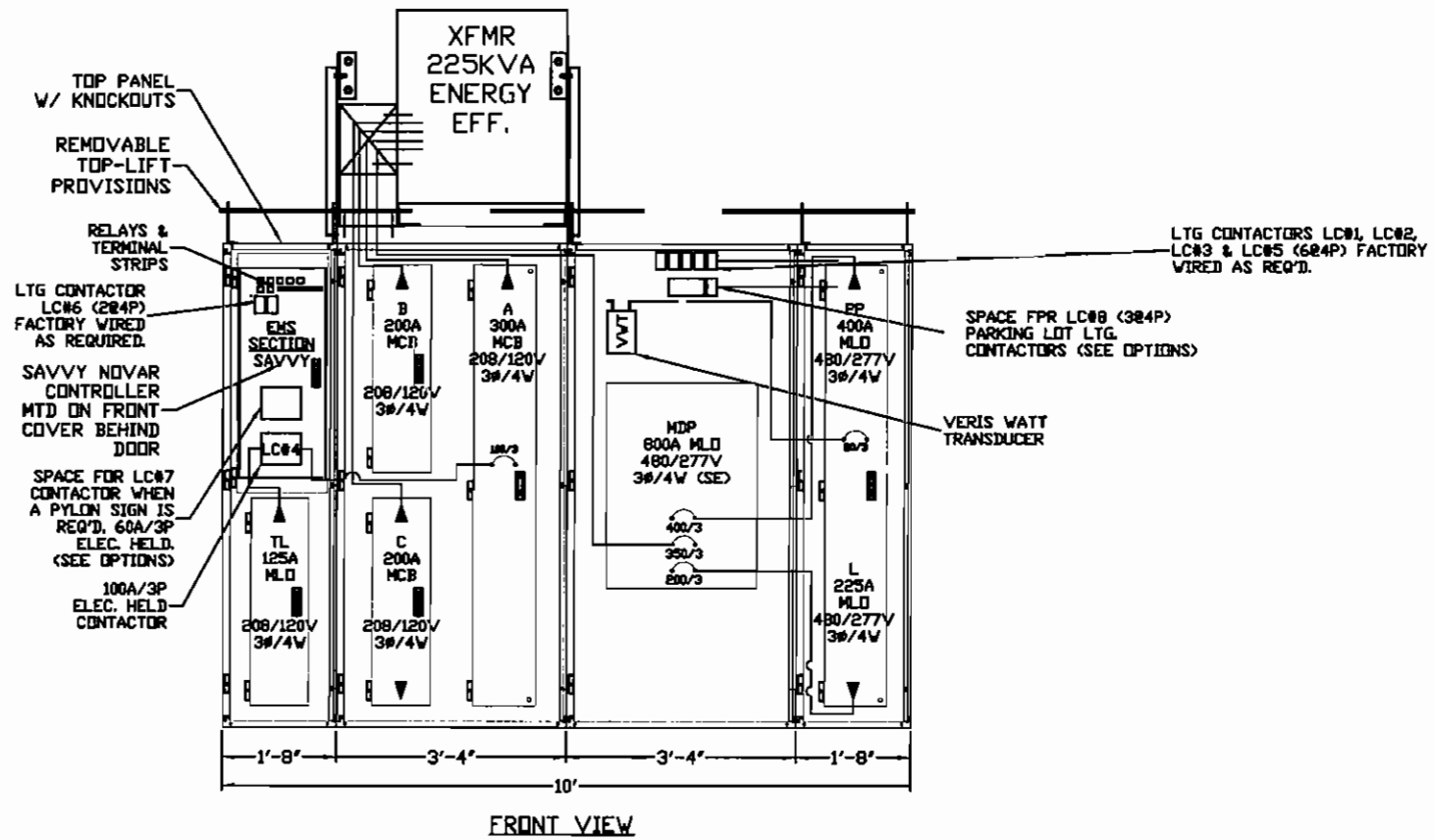
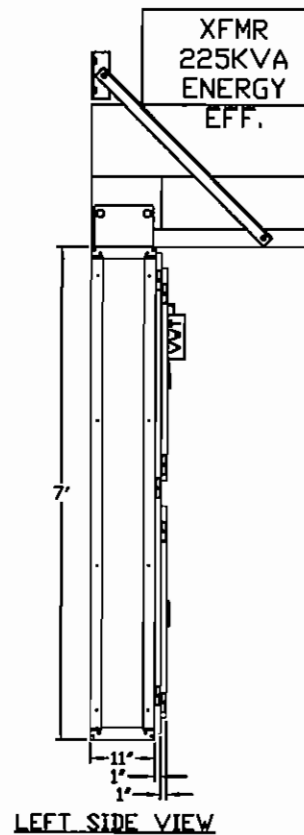
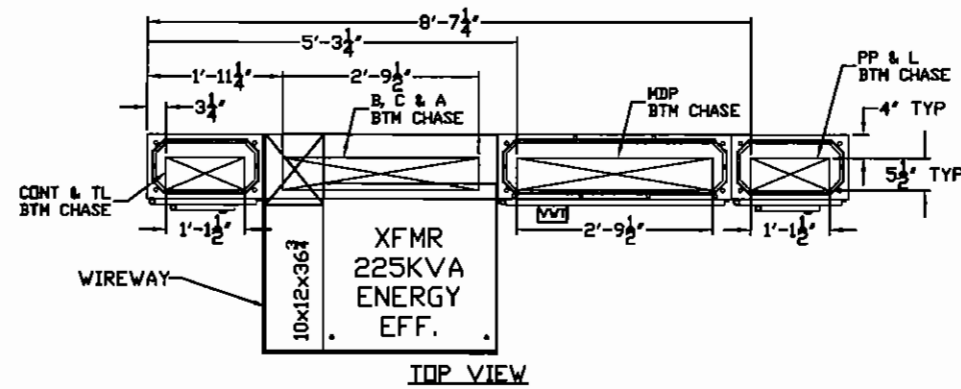


POWERPLUS



NOTES:

1. APPROX WT: 2600 LBS. (W/O TRANS)
2. TOP LIFT PROVISIONS
3. ENCLOSURE FINISH: G90 GALVANIZED STEEL (SEE OPTIONS)

—— = "SOLID" FEEDERS ARE HP PROVIDED/INSTALLED BY ELECTRICAL CONTRACTOR.

- - - - = "DASHED" FEEDERS ARE FACTORY WIRED

POWERPLUS - INTERGRATED SWITCHBOARD #PP1 ALTERNATE DESIGN

REVISION RECORD			
REV	DATE	BY	DESCRIPTION
△	28 APR 2006	GC	RELEASED FOR PROP
△			
△			
△			

CIRCUIT CITY PROTO H30		DRAWN BY: GC
		ENG. APPROVAL: AE
Hi PHOENIX EXCELLENCE® 709 SIGMAN ROAD CONYERS, GA 30013 PHONE (770) 285-3100 FAX (770) 285-3076		DATE: 28 APR 2006
		SCALE: NONE
CAD FILE NAME: G:\EDP_JOB_FILES\34689_CIRCUIT_CITY_30K - ANYWHERE_USA\SUBMITTAL_DRAWINGS\34689-PP-ALT.DWG-MODEL		JOB NUMBER: 34689-PP-ALT
		SHEET: 1 OF 2

