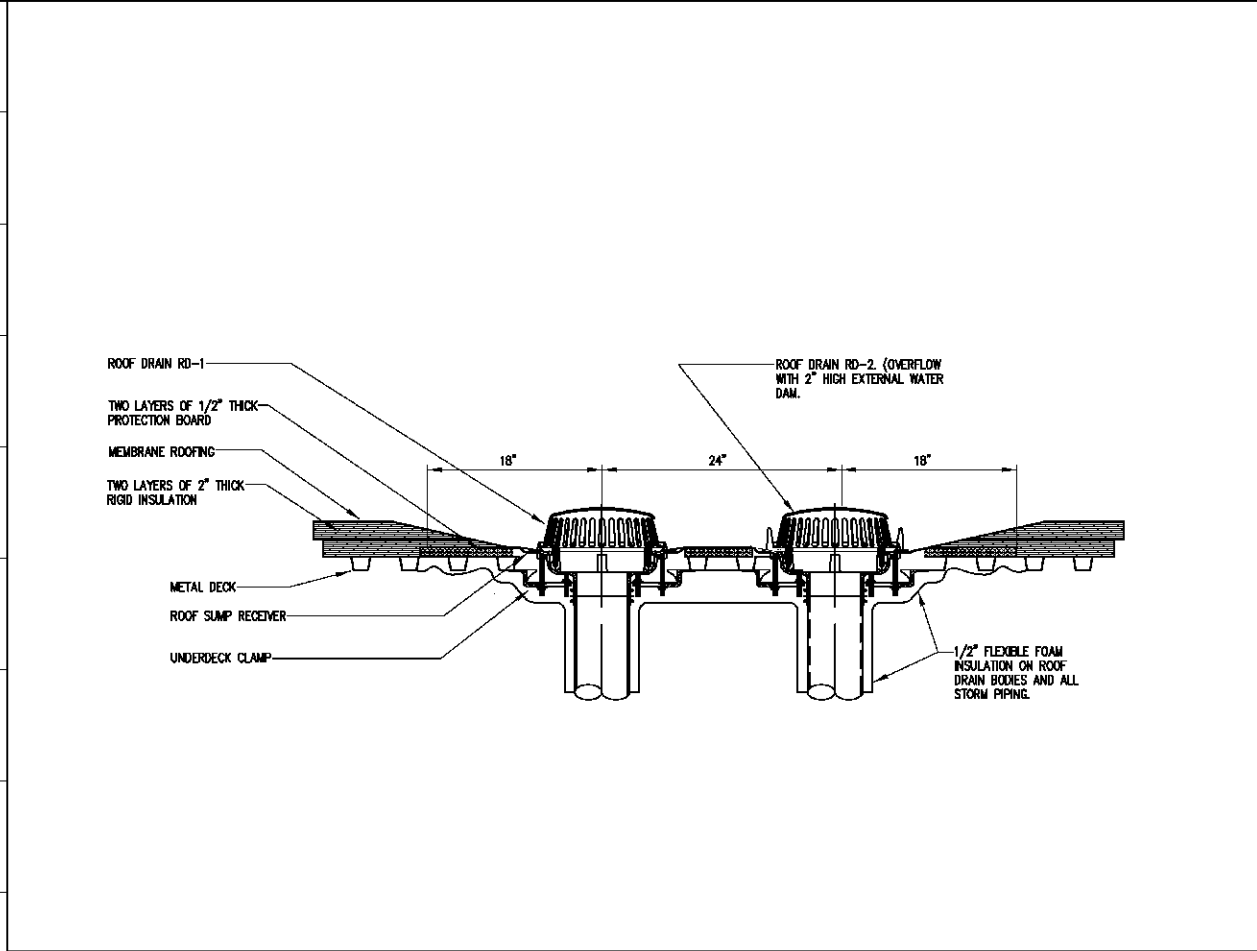
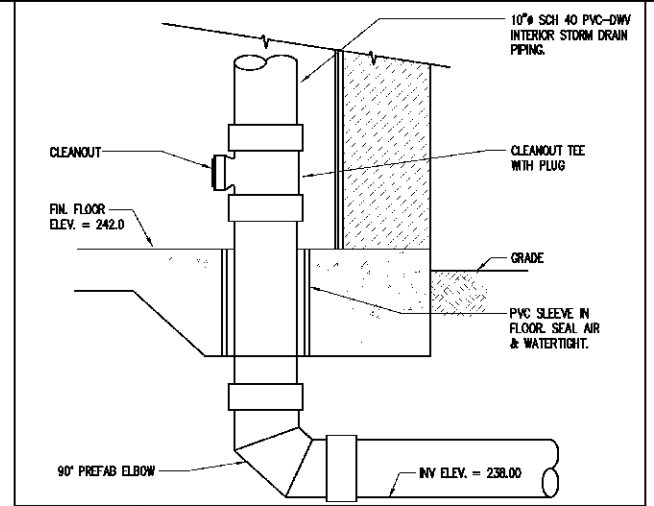


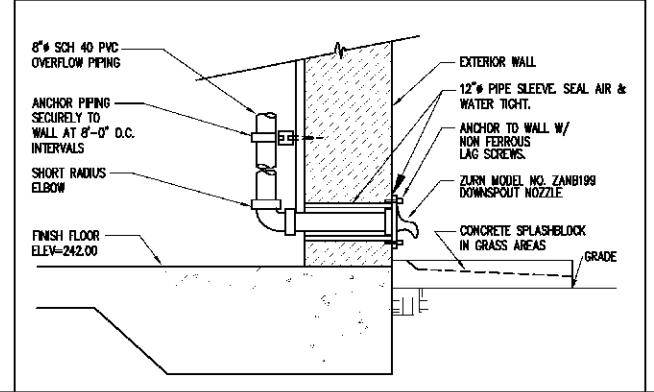
1K STORM WATER DRAINAGE PLAN
1/8" = 1'-0" NORTH



1A ROOF DRAIN AND OVERFLOW DRAIN DETAIL
NO SCALE



11E STORM WATER PIPING AT EXT. WALL
NO SCALE



11A OVERFLOW PIPING DISCHARGE NOZZLE
NO SCALE

NOTE:
SUSPEND PIPING PERPENDICULAR TO ROOF JOISTS FROM TOP CHORD OF EACH JOIST. SUSPEND PIPING PARALLEL TO JOISTS FROM ANGLE IRON CONNECTED TO TOP CHORD OF TWO JOISTS 4'-0" ON CENTERS.
HOLD PIPING AS HIGH AS POSSIBLE AND COORDINATE WITH DUCTWORK.
COORDINATE PIPING WITH ROOF PENETRATIONS AND ELECTRICAL WORK.

SYMBOL LEGEND

SD	STORM WATER DRAIN PIPING	SCH. 40 PVC WITH DRAINAGE PATTERN FITTINGS AND SOLVENT WELDED JOINTS WITH 1" THICK FIBERGLASS PIPE INSULATION WITH JACKET. SLOPE PIPING 1/8" PER FOOT.
OF	OVERFLOW DRAIN PIPING	
4"RD-1	ROOF DRAIN OR OVERFLOW DRAIN. SEE SCHEDULE.	
OFD-1	OVERFLOW DRAIN PIPING DISCHARGE NOZZLE. SIMILAR TO ZURN ZAMB-198.	
PCD	PIPE CLEANOUT PLUG	

ROOF DRAIN SCHEDULE

PLAN MARK	MANUFACTURER AND MODEL NO.	DESCRIPTION
RD-1	ZURN Z100-C-R	15" DIA. DURA-COATED CAST IRON BODY WITH COMBINATION MEMBRANE FLASHING CLAMP/GRAVEL STOP, LOW SILHOUETTE POLY-DOME, UNDER DECK CLAMP, AND SUMP RECEIVER.
RD-2	ZURN Z100-C-R-89	15" DIA. DURA-COATED CAST IRON BODY WITH COMBINATION MEMBRANE FLASHING CLAMP/GRAVEL STOP, LOW SILHOUETTE POLY-DOME, UNDER DECK CLAMP, AND SUMP RECEIVER & 2" HIGH EXTERNAL WATER DAM.

NOTE: 1. SEE PLANS FOR ROOF DRAIN SIZES.
2. MANUFACTURERS FOR DRAINS SHALL BE ZURN, WADE, I.R. SMITH, OR JOSAM.

16A GENERAL NOTES, SYMBOLS, AND SCHEDULES
NO SCALE



REV. #	DESCRIPTION	DATE	BY



DRAWN BY: PKB, RSM	SCALE:
DESIGNED BY: RRM	THIS DOCUMENT ORIGINALLY ISSUED AND SEALED BY: RANDY R. MCCOY E234082 04-18-07 THIS MEDIA SHOULD NOT BE CONSIDERED A CERTIFIED DOCUMENT.
REVIEWED BY: RRM	
DATE: 4/26/07	
SCALE: AS NOTED	
PROJECT NUMBER: 0500-00-000028	

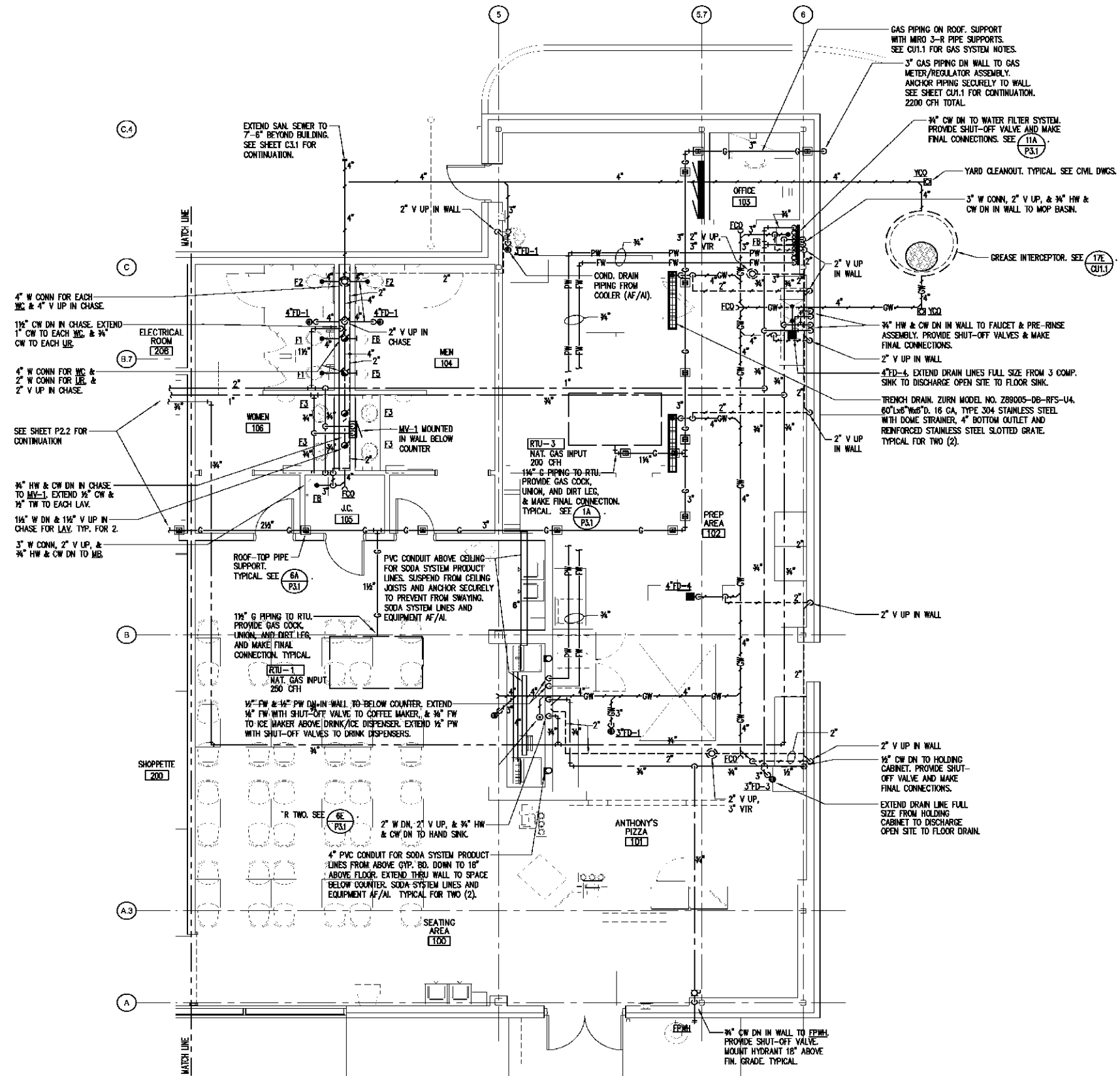


PROJECT TITLE: **MINI-MALL / GAS / CAR WASH**
FORT BRAGG, NORTH CAROLINA

SHEET NUMBER: **STORM WATER DRAINAGE PLAN P1.1**

T
S
R
Q
P
N
M
L
K
J
H
G
F
E
D
C
B
A

T
S
R
Q
P
N
M
L
K
J
H
G
F
E
D
C
B
A



REV. #	DESCRIPTION	DATE	BY

MARTIN ■ BEACHLER
ARCHITECTS

104 Brown Street Dayton, Ohio 45402
P: 937.223.7281 www.m-b-architects.com F: 937.223.8940

DESIGNED BY: PKZ, RSH	ISSUED BY: RSH	THIS DOCUMENT ORIGINALLY ISSUED AND SEALED BY: RANDY R. MCCOY 6234082 04-16-07 THIS MEDIA SHOULD NOT BE CONSIDERED A CERTIFIED DOCUMENT.
REVIEWED BY: RSH	DATE: 4/6/01	
SCALE: AS NOTED	PROJECT NUMBER: 0530-00-000024	

MH McCOY and HOWARD - CONSULTING ENGINEERS INC.

ILLINOIS DESIGN FIRM REGISTRATION NO. 194 - 001162
P.O. BOX 561 MT. VERNON, ILLINOIS 62954 PHONE 618/242-0473

PROJECT TITLE:
**MINI-MALL /
GAS / CAR WASH**
FORT BRAGG, NORTH CAROLINA

SHEET TITLE: **PLUMBING PLAN - WEST** SHEET NUMBER: **P2.2**

File: 0530_P22.dwg Job#: FFE April 12, 2007 13:07 31m. Sheet: 1-48

FLOOR DRAIN SCHEDULE

PLAN MARK	ZURN MODEL NO.	DESCRIPTION
FD-1	ZN-415-68-VP	CAST IRON ROUND FLOOR DRAIN WITH SATIN NICKEL BRONZE ADJUSTABLE STRAINER.
FD-2	Z-507-Y	CAST IRON ROUND FLOOR DRAIN WITH TRACTOR GRATE AND SEDIMENT BUCKET.
FD-3	ZN-415-8-VP	CAST IRON ROUND FLOOR DRAIN WITH ADJUSTABLE SATIN BRONZE STRAINER WITH EXTENDED RIM. SET TOP OF RIM FLUSH WITH FINISH FLOOR.
FD-4	ZN-1901-33	CAST IRON SQUARE FLOOR SINK WITH 8" DEEP SUMP, ACID RESISTANT INTERIOR, ALUMINUM DOME STRAINER, NICKEL BRONZE TOP.

NOTE: 1. MANUFACTURERS FOR FLOOR DRAINS SHALL BE WADE, JOSAM, OR ZURN.
2. CUT OUT PORTIONS OF FD-4 GRATE AS REQUIRED FOR INDIRECT WASTE.

WATER HEATER SCHEDULE

PLAN MARK	A.O. SMITH MODEL NO.	TYPE	INPUT CFM (GAS) KW/ELEC	STORAGE GALS.	RECOVERY (GPM) @ 100 F RISE	REMARKS
GWH-1	BTH-150	GAS, STORAGE	150	100	171	W/A.O. SMITH T.J.V-120M VERT. STOR. TANK

NOTE: 1. PROVIDE P & T RELIEF VALVE.
2. PROVIDE WITH EXPANSION TANK ON CW SUPPLY.

THERMOSTATIC MIXING VALVE SCHEDULE

MARK	LEONARD MODEL NO.	SIZE (IN.)	FLOW CAPACITY (GPM)	CHECKSTOPS	CABINET	REMARKS
MV-1	C210-AF-TR-37C	1/2	1/2	0.5	5.3	ANGLE ST. STL.

NOTE: 1. PROVIDE VALVES WITH HIGH LIMIT STOP SET FOR 110F AND THERMOMETER IN TEMPERED WATER PIPING.

PLUMBING FIXTURE SCHEDULE

FIXTURE TYPE	DESCRIPTION	MIN. UNIT PIPE SIZE (IN.)			FIXTURE MOUNTING
		COLD WATER	HOT WATER	WASTE / VENT	
F1	WATER CLOSET - FLUSH VALVE	1	4	2	FLOOR MTD.; TOP OF BOWL 15" AFF.
F2	WATER CLOSET - FLUSH VALVE - ADA COMPLIANT	1	4	2	FLOOR MTD.; TOP OF BOWL 17 1/2" AFF.
F3	LAVATORY - ADA COMPLIANT	1/2	1 1/2	1 1/2	C'TOP.; TOP OF RIM 34" AFF.
F4	LAVATORY - ADA COMPLIANT	1/2	1 1/2	1 1/2	WALL HUNG; TOP OF RIM 34" AFF.
F5	URINAL - FLUSH VALVE	3/4	2	2	WALL HUNG; TOP OF RIM 24" AFF.
F6	URINAL - FLUSH VALVE - ADA COMPLIANT	3/4	2	2	WALL HUNG; TOP OF RIM 17" AFF.
F7	ELECT. WATER COOLER - TWIN UNIT - ADA COMPLIANT	1/2	1 1/2	1 1/2	WALL HUNG
F8	MOP BASIN - CORNER - 32" x 32" x 12"	3/4	3/4	3	FLOOR MOUNTED
F9	SINK-ST. STL.-33" x 19 1/2" COMP.-7 1/2" DP. BOWLS	3/4	3/4	1 1/2	COUNTERTOP
F10	HAND SINK - FOOD SERV. - ST. STL. - PEDAL VALVES	3/4	3/4	1 1/2	PEDestal/WALL

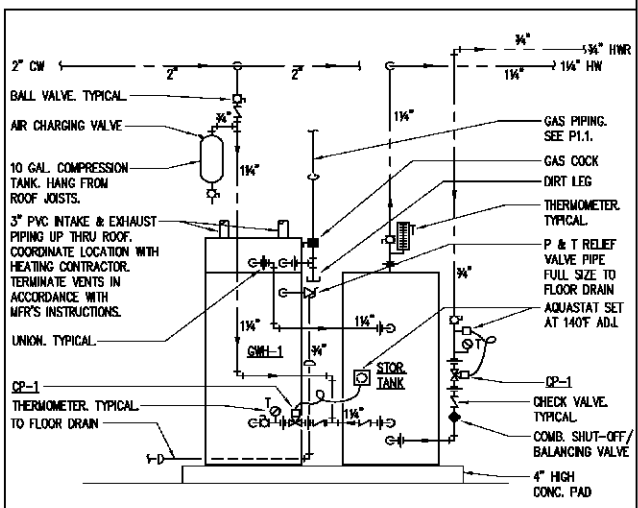
CIRCULATING PUMP SCHEDULE

MARK	BELL AND GOSSETT MODEL NO.	GPM	TOTAL HEAD (FT WC)	SIZE (IN.)	RPM	HP	VOLT	PH	SERVICE
CP-1	SERIES PR	6	7	3/4	1725	1/8	120	1	DOMESTIC HOT WATER RECIRCULATING

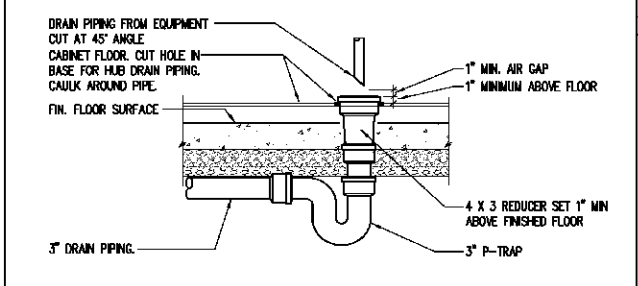
NOTE: 1. PROVIDE COMMON PRESSURE GAUGE WITH GAUGE COCKS AND PIPING TO PUMP SUCTION AND DISCHARGE TAPPINGS.
2. PUMPS SHALL BE ALL BRONZE.
3. PROVIDE STRAP-ON AQUASTAT TO CYCLE PUMPS TO MAINTAIN RECIRCULATING TEMP.

PLUMBING SYMBOL SCHEDULE

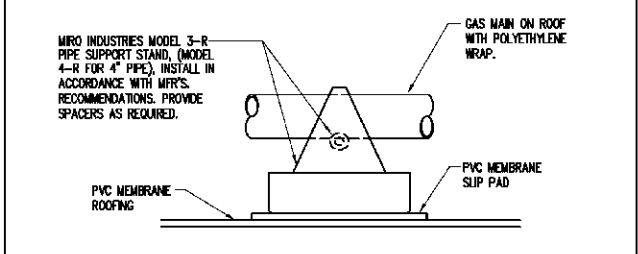
	SANITARY SOIL OR WASTE PIPING BELOW FLOOR (W)
	STORM WATER DRAIN PIPING (SD)
	SANITARY VENT PIPING (V)
	SANITARY VENT PIPING BELOW FLOOR
	GREASE WASTE PIPING BELOW FLOOR (GW)
	NATURAL GAS PIPING (G)
	DOMESTIC COLD WATER PIPING (CW)
	DOMESTIC FILTERED COLD WATER PIPING (FW)
	DOMESTIC HOT WATER PIPING (HW)
	DOMESTIC HOT WATER RECIRCULATING PIPING (HWR)
	DOMESTIC TEMPERED HOT WATER PIPING (TW)
	DOMESTIC TEMPERED HOT WATER RECIRCULATING PIPING (TWR)
	DOMESTIC POST MIX FILTERED COLD WATER PIPING (PW)
	FLOOR DRAIN DESIGNATION. SEE SCHEDULE
	VENT THRU ROOF
	ROOF DRAIN DESIGNATION. SEE SCHEDULE
	FIXTURE DESIGNATION. SEE SCHEDULE
	FLOOR CLEANOUT
	PIPE CLEANOUT
	FROST PROOF WALL HYDRANT - MOUNT 18" ABOVE GRADE
	HOSE BIBB - MOUNT 18" ABOVE FLOOR
	GATE VALVE
	CHECK VALVE
	BALANCING VALVE
	GAS COCK
	UNION OR FLANGE
	BALL VALVE
	BUTTERFLY VALVE
	PIPE RISER WITH ELBOW TURNED DOWN
	PIPE RISER WITH ELBOW TURNED UP
	PIPE BRANCH BOTTOM CONNECTION
	PIPE BRANCH TOP CONNECTION
	EQUIPMENT DESIGNATION. SEE SCHEDULE
	DETAIL NUMBER
	SHEET ON WHICH DETAIL IS DRAWN
	SHEET WHERE DETAIL IS REFERENCED



6J GWH-1 GAS WATER HEATER DETAIL
NO SCALE

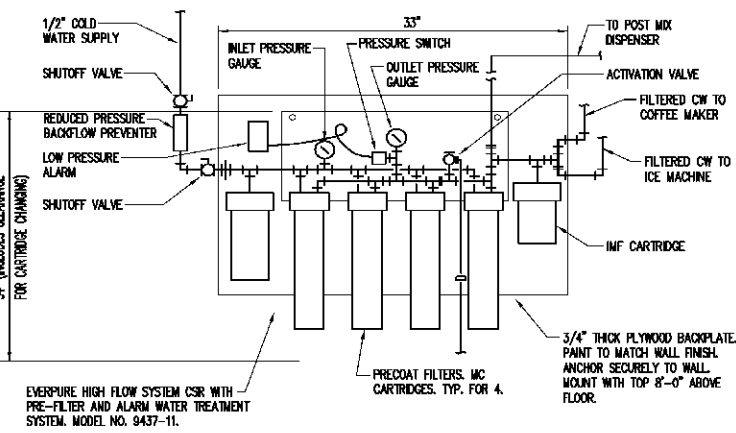


6E HUB DRAIN DETAIL
NO SCALE



6A GAS PIPING ROOF SUPPORT
NO SCALE

11H PLUMBING SCHEDULES
NONE



11A WATER TREATMENT SYSTEM DETAIL
NO SCALE

17J PLUMBING SYMBOLS
NONE

GENERAL NOTES:

- ALL SUSPENDED PIPING, EQUIPMENT, ETC., SHALL BE HUNG FROM STRUCTURAL BEAMS AND TOP CHORD OF ROOF JOISTS. NOTHING SHALL BE HUNG FROM ROOF DECKING.
- KEEP ALL EQUIPMENT SERVICE AREAS CLEAR OF ALL ELECTRICAL CONDUITS, CONTROL AIR PIPING, DUCTWORK, WATER PIPING, ETC., SO AS NOT TO HINDER SERVICE ACCESS TO EQUIPMENT FOR MAINTENANCE AND REPAIR.
- (AFA) INDICATES EQUIPMENT FURNISHED AND INSTALLED BY THE ARMY AIR FORCE EXCHANGE SERVICE. CONTRACTOR SHALL PROVIDE ALL NECESSARY ROUGH-IN AND MAKE FINAL CONNECTIONS TO EQUIPMENT REQUIRING SAME.
- (AFO) INDICATES EQUIPMENT FURNISHED BY THE ARMY AIR FORCE EXCHANGE SERVICE AND INSTALLED BY THE CONTRACTOR. INSTALLATION SHALL BE IN ACCORDANCE WITH AAFES AND MANUFACTURER'S INSTRUCTIONS AND RECOMMENDATIONS.
- THE PLUMBING CONTRACTOR SHALL REFER TO MECHANICAL DRAWINGS TO ESTABLISH EXACT LOCATIONS OF ALL MECHANICAL EQUIPMENT FURNISHED UNDER THAT DIVISION. EXACT LOCATIONS OF FLOOR DRAINS, WATER CONNECTIONS, GAS CONNECTIONS, ETC., MUST BE COORDINATED WITH MECHANICAL EQUIPMENT AND INSTALLED AS REQUIRED TO SERVE THIS EQUIPMENT. IT IS THE RESPONSIBILITY OF THE PLUMBING CONTRACTOR TO COORDINATE HIS WORK WITH THAT OF THE MECHANICAL CONTRACTOR TO AVOID INTERFERENCES AND PROVIDE THE REQUIRED CONNECTIONS TO MECHANICAL EQUIPMENT IN THEIR CORRECT LOCATIONS.
- PLUMBING CONTRACTOR SHALL PROVIDE WATER, WASTE, DRAIN, ETC., CONNECTIONS FOR ALL ITEMS OF FOOD SERVICE EQUIPMENT REQUIRING SAME WHETHER INDICATED ON THIS DRAWING OR NOT. ROUGH-INS ARE SHOWN IN APPROX. LOCATIONS ONLY. EXACT LOCATIONS MUST BE DETERMINED FROM FOOD SERVICE EQUIPMENT SHOP DRAWINGS FURNISHED BY THE GENERAL CONTRACTOR OR BY AAFES.
- PLUMBING CONTRACTOR SHALL INSTALL ALL ITEMS FURNISHED LOOSE WITH FOOD SERVICE EQUIPMENT SUCH AS FAUCETS, TRAPS, VACUUM BREAKERS, ETC., AND MAKE FINAL CONNECTIONS TO EQUIPMENT. ALL ITEMS NOT FURNISHED WITH FOOD SERVICE EQUIPMENT, BUT REQUIRED FOR PROPER INSTALLATION, SHALL BE FURNISHED AND INSTALLED BY THE PLUMBING CONTRACTOR. CONTRACTOR TO OBTAIN FROM AAFES REQUIREMENTS FOR CONNECTIONS TO FOOD SERVICE EQUIPMENT.
- ALL FLOOR DRAIN AND CLEANOUT TOPS SHALL BE SET FLUSH WITH FINISH FLOOR.
- WHERE PIPING IS TO BE INSTALLED IN CABINETS, THE PLUMBING CONTRACTOR SHALL PROVIDE REQUIRED OPENINGS. ALL OPENINGS MUST BE APPROVED BY THE CONTRACTING OFFICER.

17A GENERAL PLUMBING NOTES
NONE

REV. #	DESCRIPTION	DATE	BY

MARTIN BEACHLER ARCHITECTS
104 Brown Street Dayton, Ohio 45402
P: 937.223.7251 www.m-b-architects.com F: 937.223.9940

DRAWN BY	SEAL
FRB	
DESIGNED BY	
REVIEWED BY	
DATE	
SCALE	
PROJECT NUMBER	

THIS DOCUMENT ORIGINALLY ISSUED AND SEALED BY:
RANDY B. MCCOY
04-18-07
THIS MEDIA SHOULD NOT BE CONSIDERED A CERTIFIED DOCUMENT.

McCOY AND HOWARD - CONSULTING ENGINEERS INC.
ILLINOIS DESIGN FIRM REGISTRATION NO. 104 - 00132
P.O. BOX 581 MT. VERNON, ILLINOIS 62554 PHONE 618/262-0475

MINI-MALL / GAS / CAR WASH
FORT BRAGG, NORTH CAROLINA

PLUMBING SCHEDULES / NOTES / DETAILS	P3.1
--------------------------------------	------