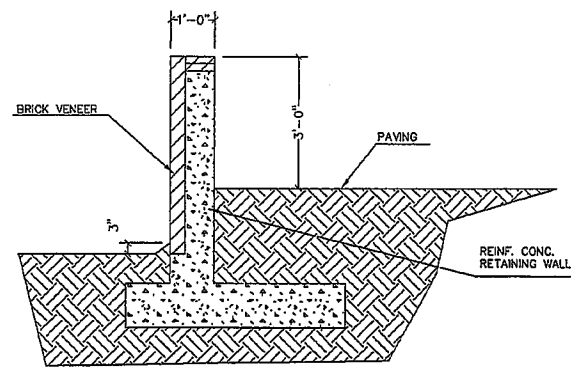


NORTH  
 SITE PLAN  
 SCALE: 1/16" = 1'-0"



RETAINING WALL  
 DETAIL  
 SCALE: 1/2" = 1'-0"

REVISIONS	NO.	DATE	BY	DESCRIPTION
	1	2/16/06	KB	REDESIGN
	2	3/12/07	RU	REDESIGN
DRAWN BY	PAJ			
CHECKED BY	RU			
DATE	/ / 07			
DEPARTMENT OF PLANNING, ENGINEERING AND PERMITTING CITY OF BIRMINGHAM WILLIAM A. GILCHRIST, DIRECTOR PLANNING AND PERMITTING				
Site Plan	Fire Station 10/22 4439 5th Avenue South Birmingham, AL 35222			
PROJECT NUMBER				
SHEET NUMBER	SP-2			
OF	OF			

To order plans, go to [www.direpro.com](http://www.direpro.com)