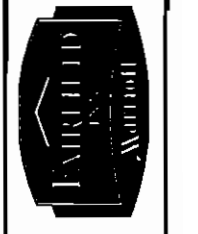
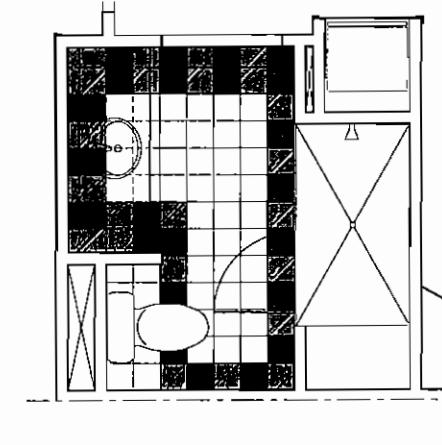
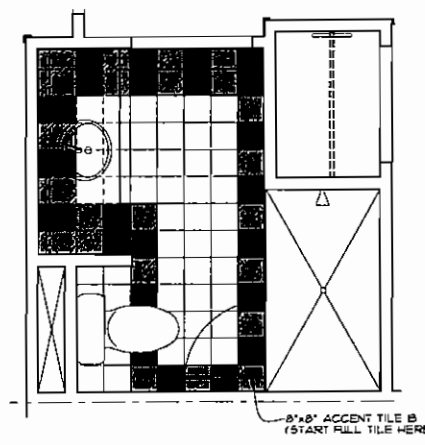


REVISION	DATE	BY	DESCRIPTION	DESIGNED	DRAWN	CHECKED	APPROVED

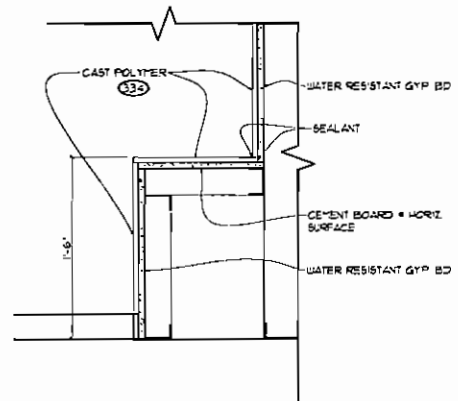


FAIRFIELD INN & SUITES  
PALM COAST, FLORIDA  
PROJECT NUMBER: 061102Z  
SCALE: AS SHOWN  
GUESTROOM MILLWORK

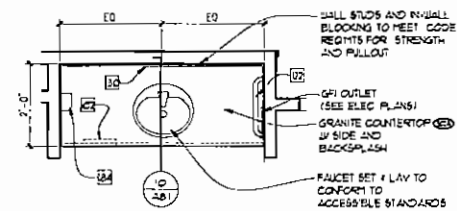


LEGEND  
 8x8 FIELD TILE (A)  
 8x8 ACCENT TILE A (B)  
 8x8 ACCENT TILE B (C)

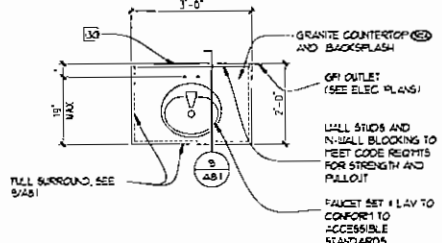
1 TYPICAL FLOOR TILE PATTERN  
SCALE: 1/2"=1'-0"



3 SHOWER BENCH DETAIL  
SCALE: 1/2"=1'-0"



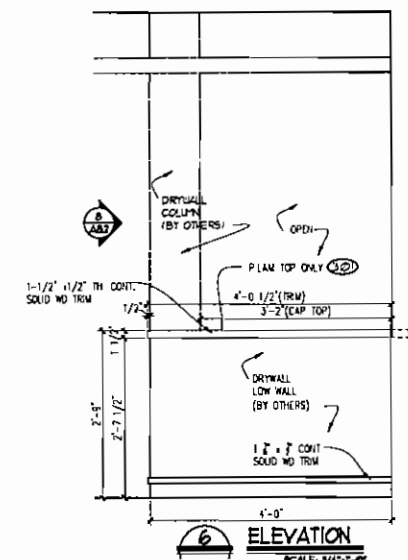
4 COUNTERTOP GUEST LAVATORIES  
SCALE: 1/2"=1'-0"



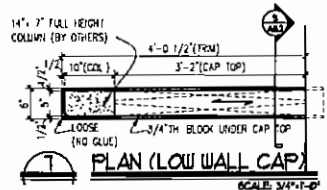
5 WALL-MOUNT GUEST LAVATORIES  
SCALE: 1/2"=1'-0"

GENERAL NOTES

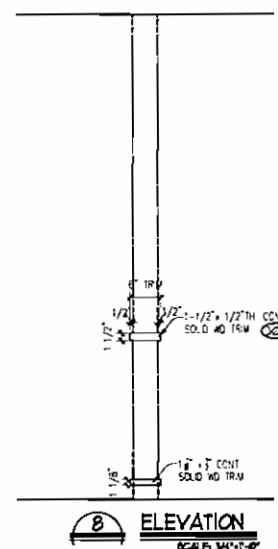
- SEE SHEET A15 FOR ROOM FINISH SCHEDULE
- FOR ACCESSORY SCHEDULE REFER TO SPECIFICATIONS SECTION 0900.
- SEE SHEET A61 FOR SCHEDULE OF TOILET AND BATH ACCESSORIES MARKED WITH [ ]



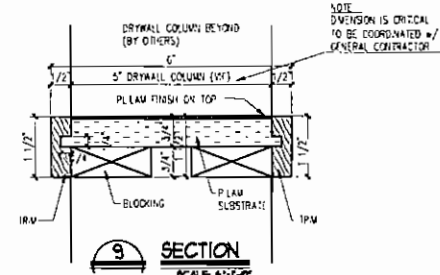
6 ELEVATION  
SCALE: 3/4"=1'-0"



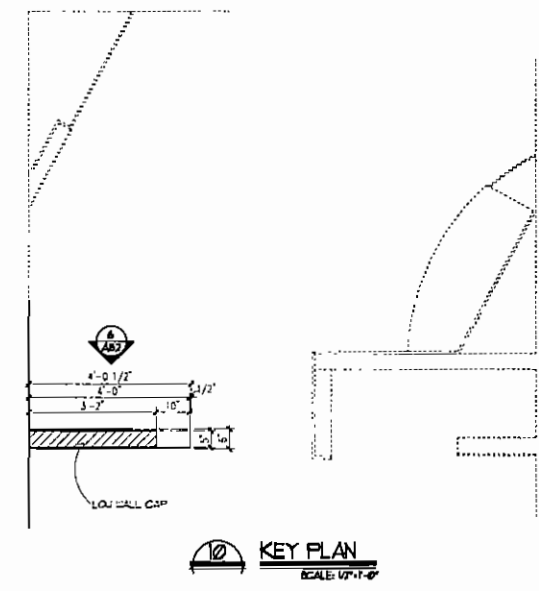
7 PLAN (LOW WALL CAP)  
SCALE: 3/4"=1'-0"



8 ELEVATION  
SCALE: 3/4"=1'-0"

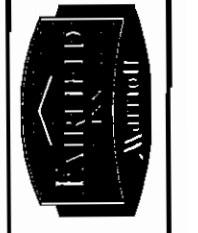


9 SECTION  
SCALE: 3/4"=1'-0"

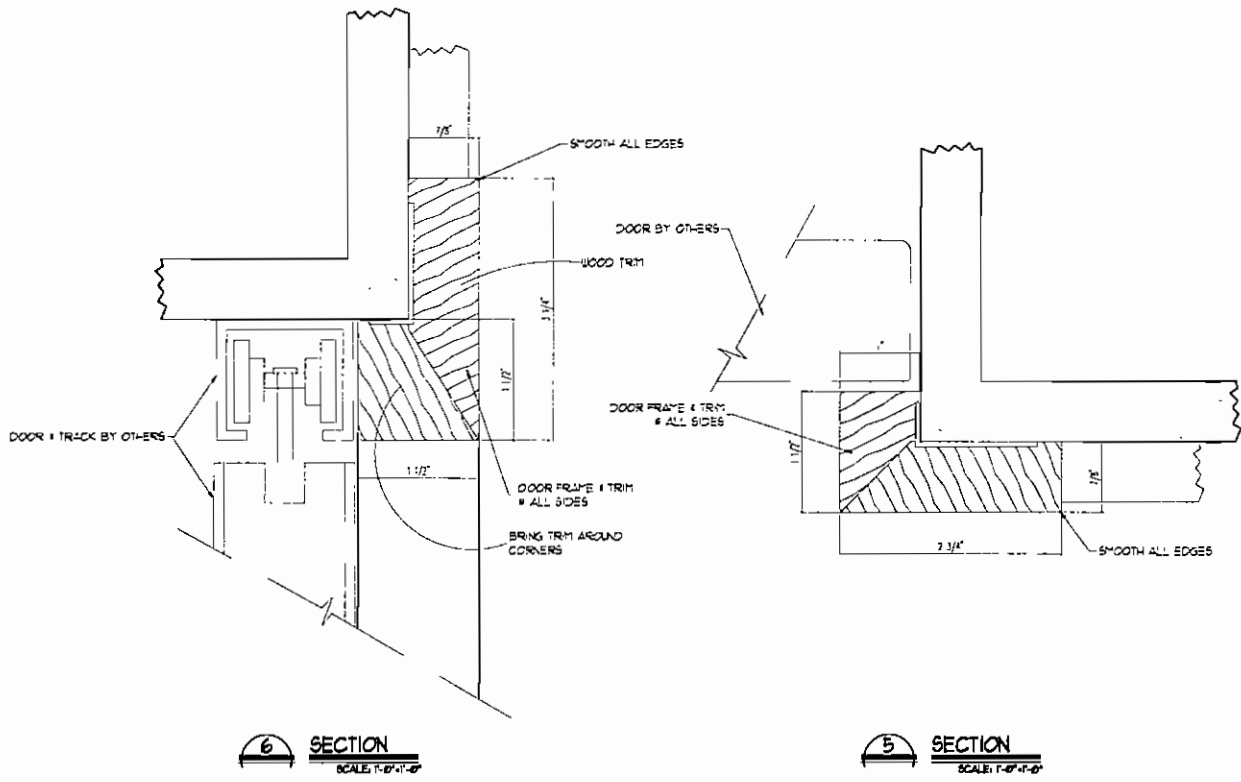
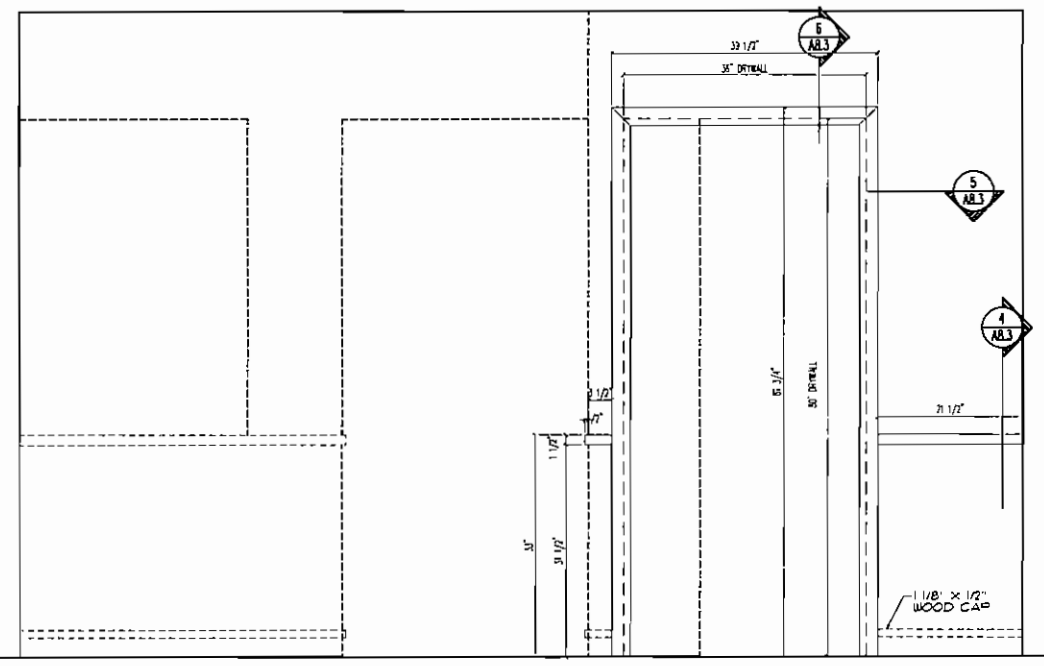
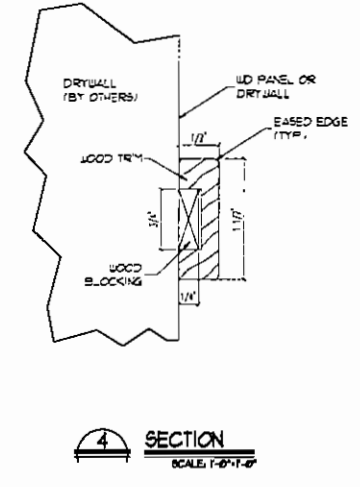
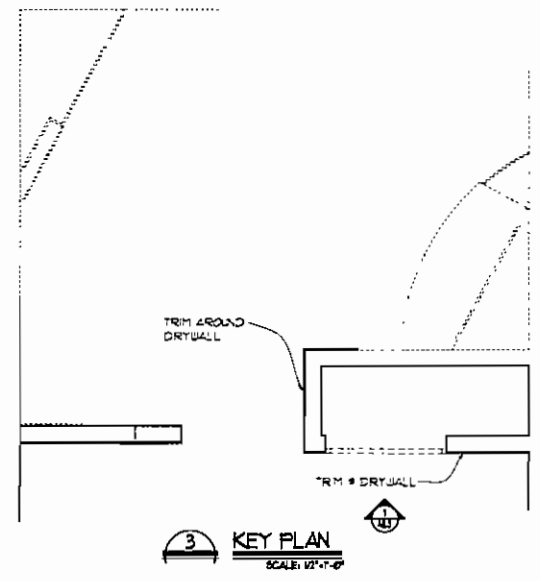
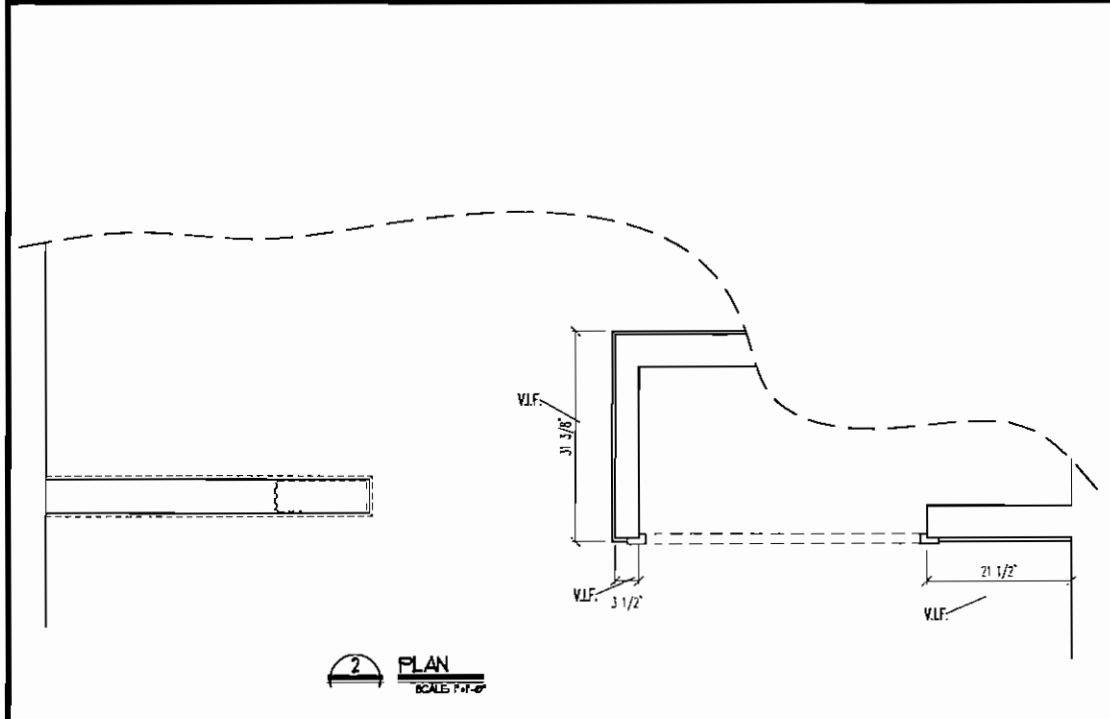


10 KEY PLAN  
SCALE: 1/2"=1'-0"

REVISION	DATE	BY	DESCRIPTION	DESIGNED	CHECKED	APPROVED
1	08/10/02					



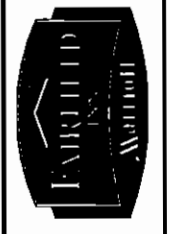
FAIRFIELD INN & SUITES  
 PALM COAST, FLORIDA  
 PROJECT NUMBER: 0811002  
 SCALE: AS SHOWN  
 GUESTROOM DETAILS  
 LOW WALL CAP



6 SECTION  
SCALE 1/4" = 1'-0"

REVISION	DATE	BY	DESCRIPTION	DESIGNED	DRAWN	CHECKED	APPROVED

ADD. NO. 06110.02  
DATE

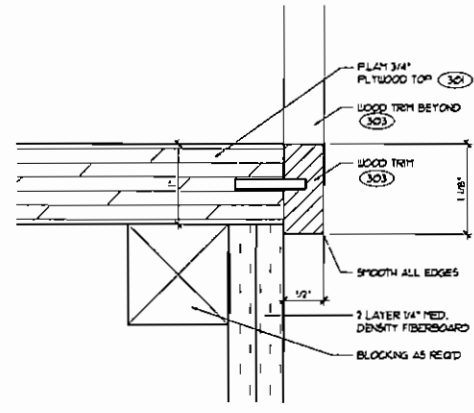
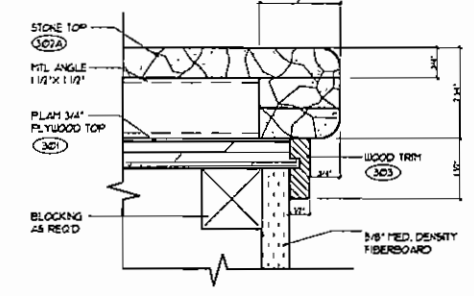
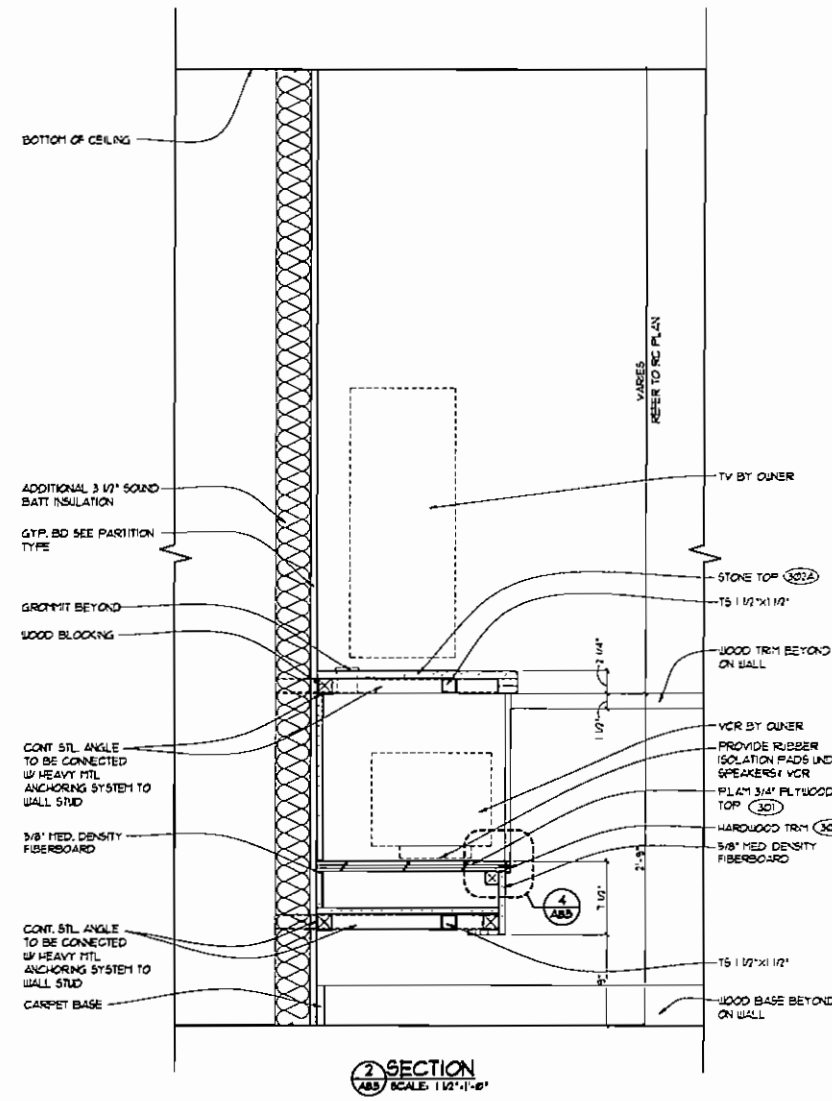
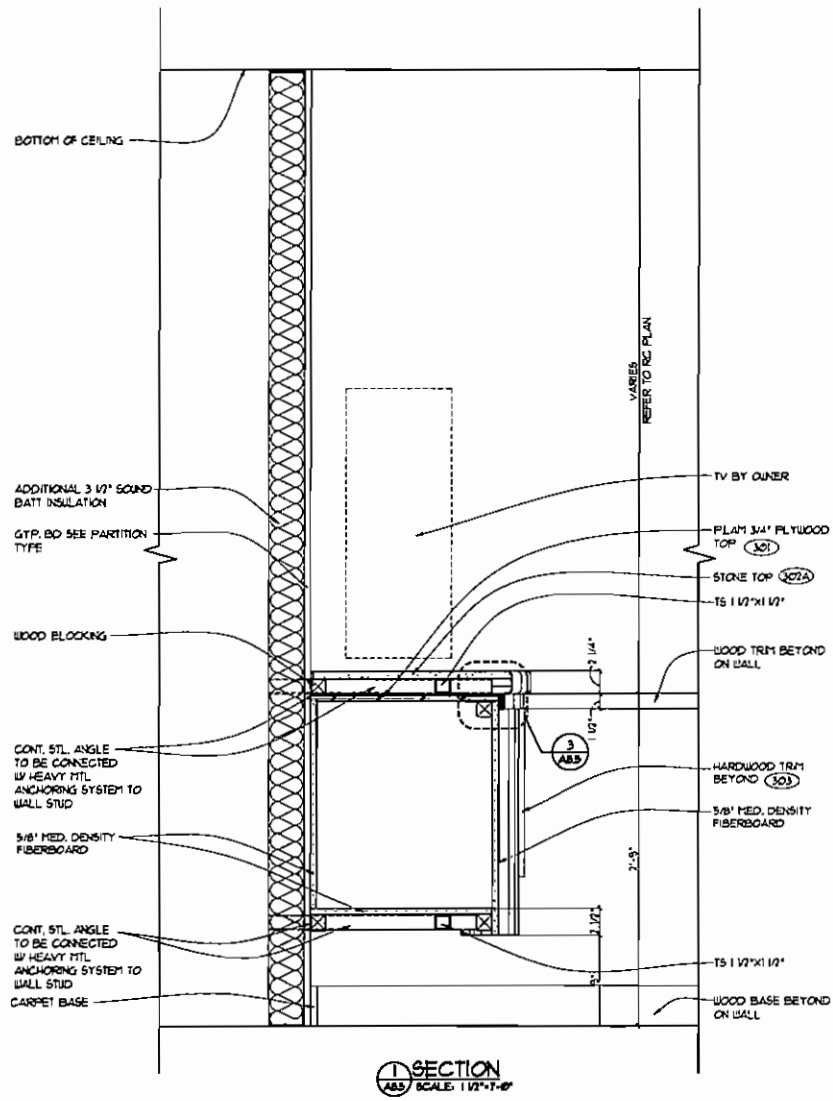


FAIRFIELD INN & SUITES  
PALM COAST, FLORIDA  
PROJECT NUMBER: 06110.02  
SCALE: AS SHOWN  
GUESTROOM DETAILS  
BASEBOARD, TRIM, & DOORS

A8.3

To Order Prints - www.ldirepro.com

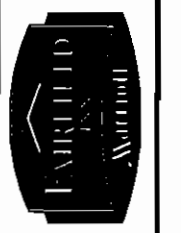
DRAWING NO. UPDATED



**Zivic & Hurdle**  
ARCHITECTS  
Professional Corporation  
10000 E. South Rd., Suite 100, Jacksonville, FL 32256  
Tel: 904.766.1100 Fax: 904.766.1101

This drawing is the design of the architect and is not to be used for construction without the written consent of the architect. All work shall be subject to the architect's approval.

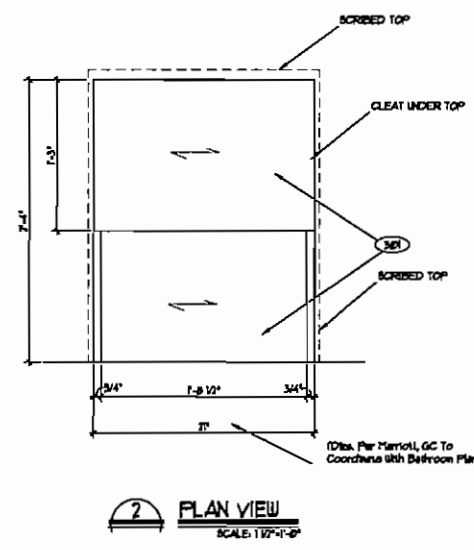
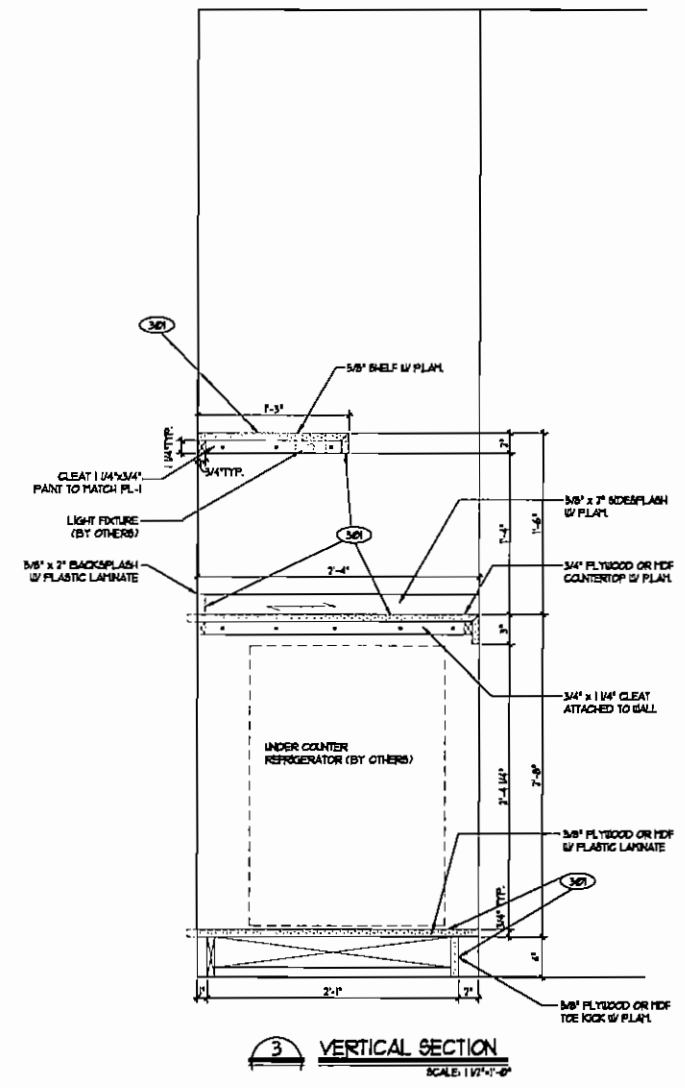
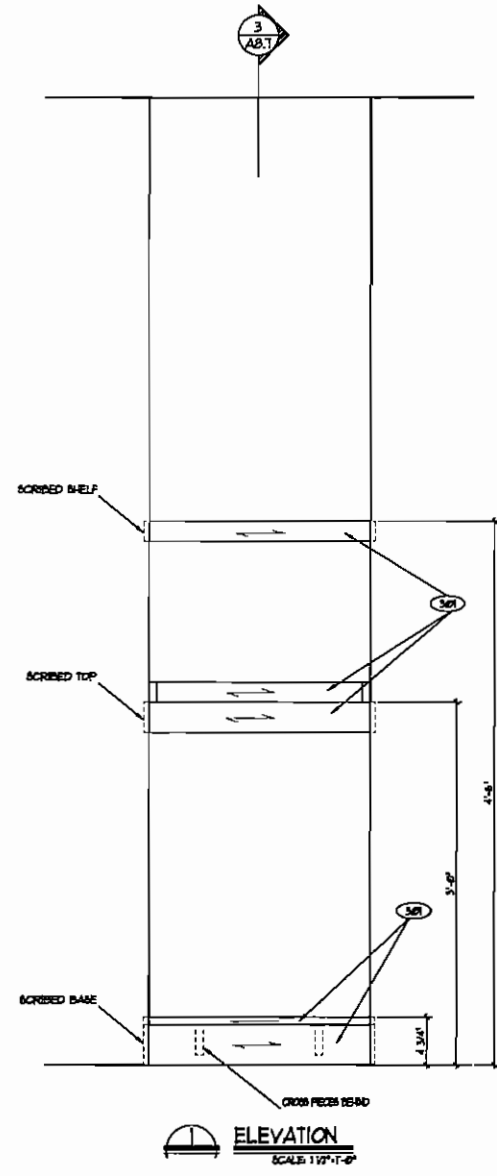
DESIGNED	DATE	BY	DESCRIPTION	CHECKED	APPROVED
DESIGNED	DATE	BY	DESCRIPTION	CHECKED	APPROVED



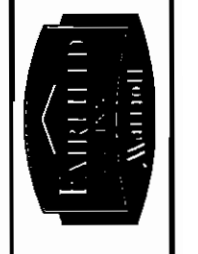
FAIRFIELD INN & SUITES  
PALM COAST, FLORIDA  
PROJECT NUMBER: 0810102  
SCALE: AS SHOWN  
GUESTROOM MILLWORK

A85

THIS DRAWING IS THE PROPERTY OF ZIVIE & HURDLE ARCHITECTS. NO PART OF THIS DRAWING OR ANY INFORMATION CONTAINED HEREIN IS TO BE REPRODUCED, COPIED, OR TRANSMITTED IN ANY FORM OR BY ANY MEANS, ELECTRONIC OR MECHANICAL, INCLUDING PHOTOCOPYING, RECORDING, OR BY ANY INFORMATION STORAGE AND RETRIEVAL SYSTEM, WITHOUT THE WRITTEN PERMISSION OF ZIVIE & HURDLE ARCHITECTS.



REVISION	DATE	BY	DESCRIPTION	DESIGNED	DRAWN	CHECKED	APPROVED
1	06/11/02	JL	INITIAL DESIGN				



FAIRFIELD INN & SUITES  
PALM COAST, FLORIDA  
PROJECT NUMBER: 061102Z  
SCALE: AS SHOWN  
GUESTROOM KITCHENETTE

