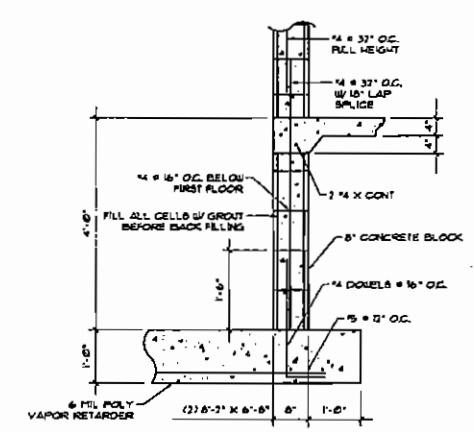
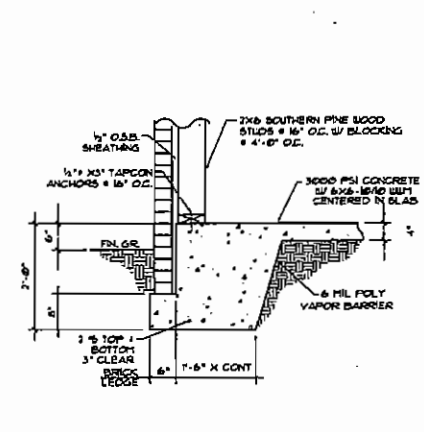


TO ORDER PLANS GO TO Idiline.com

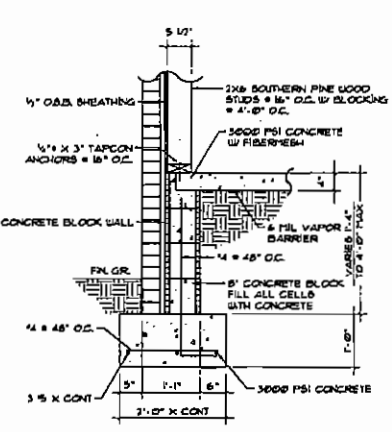
FOUNDATION PLAN
SCALE: 1/4" = 1'-0"
A AND B - SEAR WALL LOCATION
SEE 84 FOR DETAILS



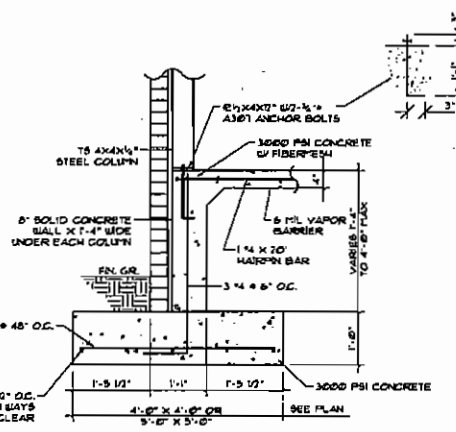
SECTION 1
SCALE: 1/4" = 1'-0"



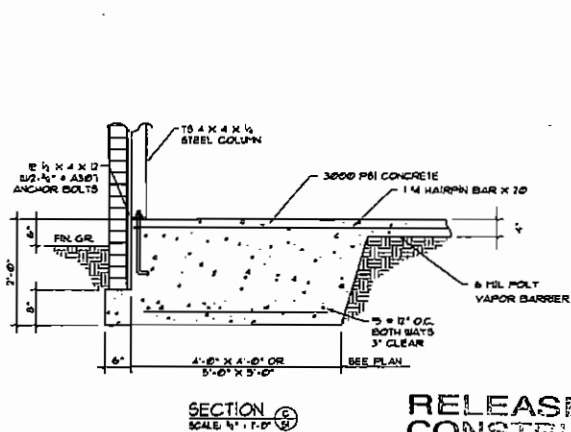
SECTION 2
SCALE: 1/4" = 1'-0"



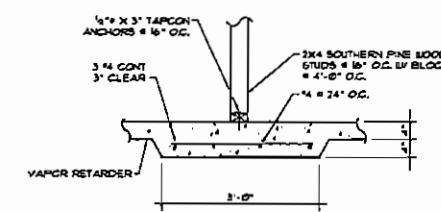
ALTERNATE SECTION 1
SCALE: 1/4" = 1'-0"



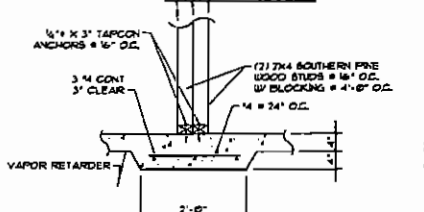
ALTERNATE SECTION 2
SCALE: 1/4" = 1'-0"



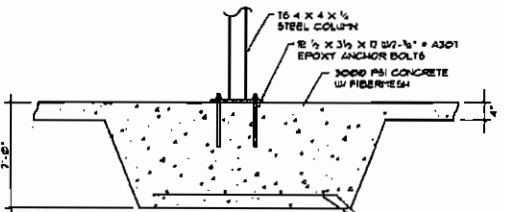
SECTION 3
SCALE: 1/4" = 1'-0"



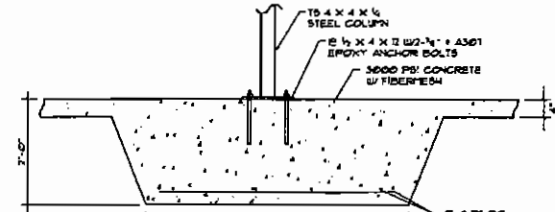
SECTION 4
SCALE: 1/4" = 1'-0"



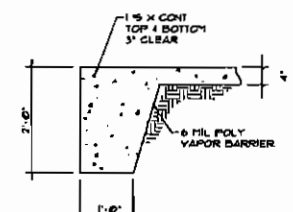
SECTION 5
SCALE: 1/4" = 1'-0"



SECTION 6
SCALE: 1/4" = 1'-0"



SECTION 7
SCALE: 1/4" = 1'-0"

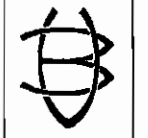


SECTION 8
SCALE: 1/4" = 1'-0"

RELEASED FOR CONSTRUCTION
DATE: 3/12/07 BY: CW

KEA
Komegay Engineering Inc.
Structural Consultant
363 Pierce Avenue
Suite 202
Macon, GA 31204
(478)745-6181 ph
(478)745-4744 fax
Project No: 07-015

PROPOSED 75 ROOM MOTEL FOR
COMFORT SUITES
MACON, GEORGIA
SHRUTI CORPORATION, OWNER

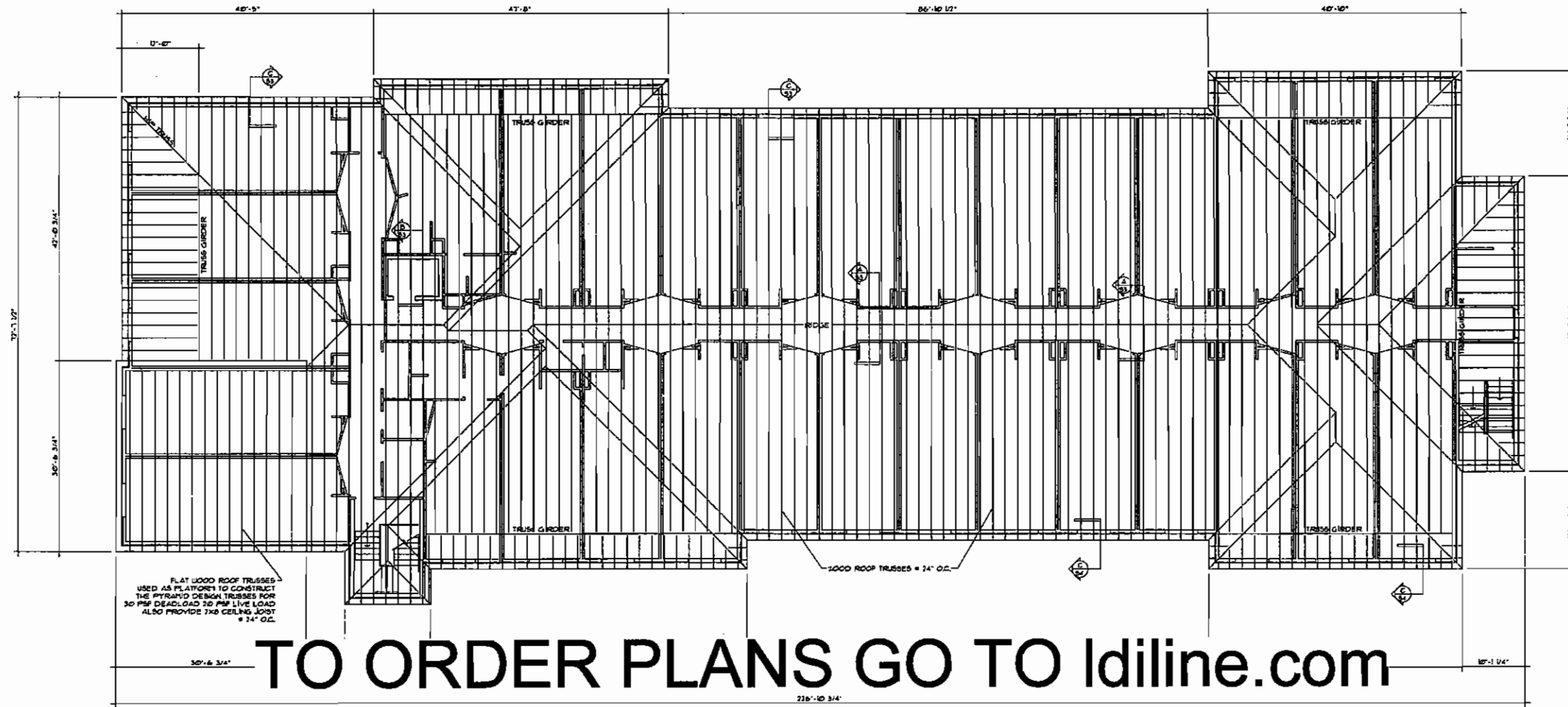


Wolf & Associates Architects
MACON, GEORGIA • 400 STONE EDGE RD, ZIP 31210
PHONE 478-741-8818 FAX 478-474-8360
HIGHLANDS, NORTH CAROLINA 740 HORSE COVE ROAD, 38741
PHONE 828-236-8995

DATE: 3/12/07

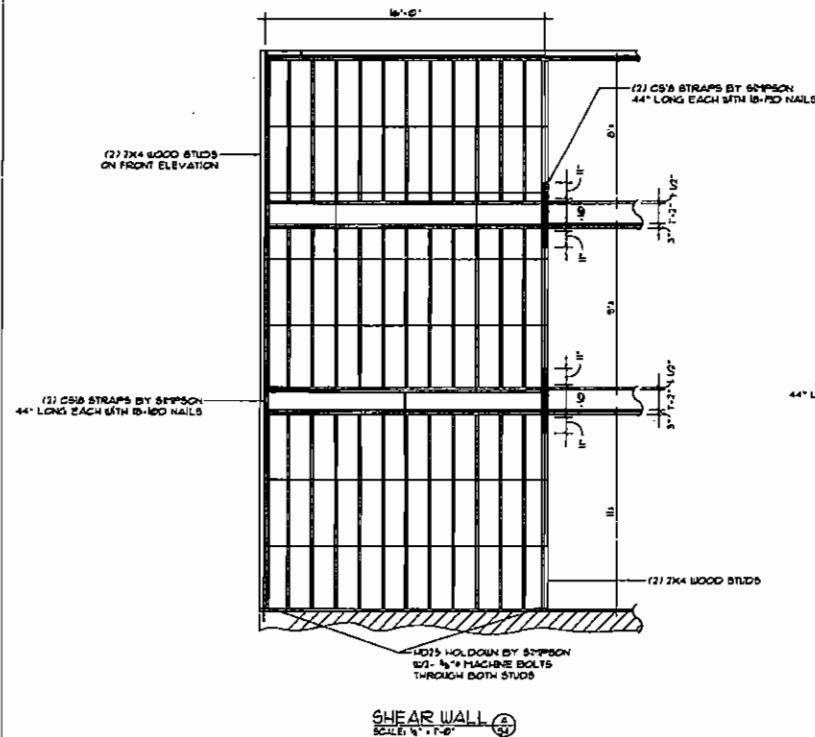
SHEET NO.

S-1

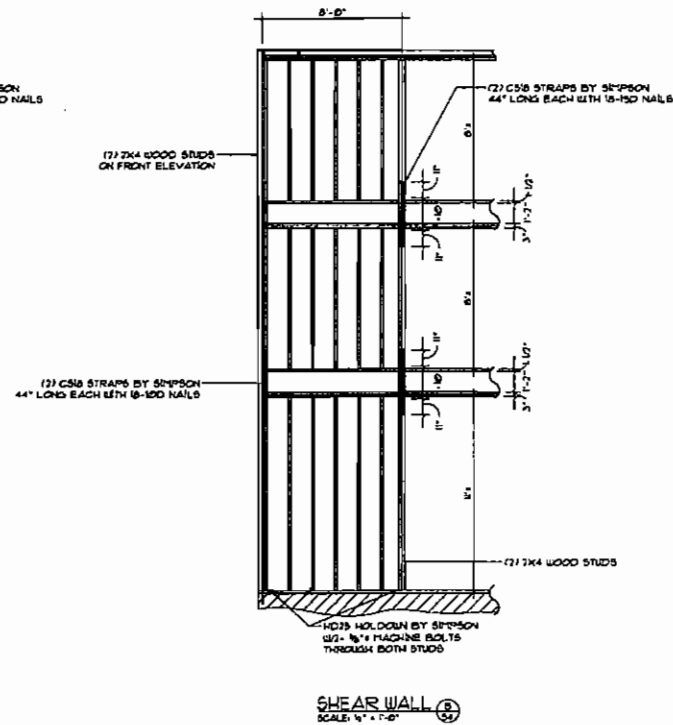


TO ORDER PLANS GO TO Idiline.com

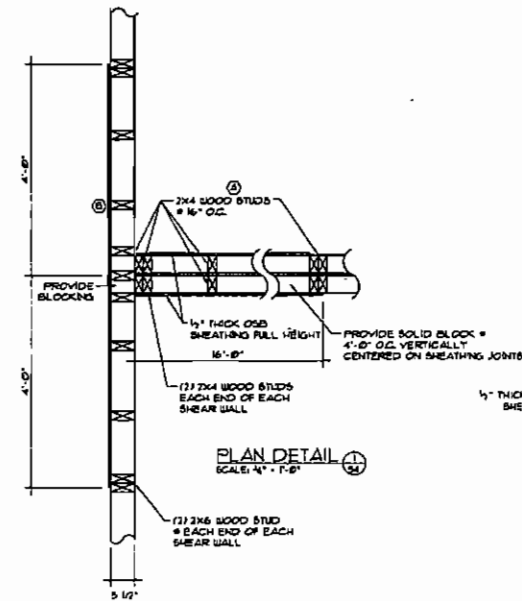
ROOF FRAMING PLAN
SCALE: 1/4" = 1'-0"



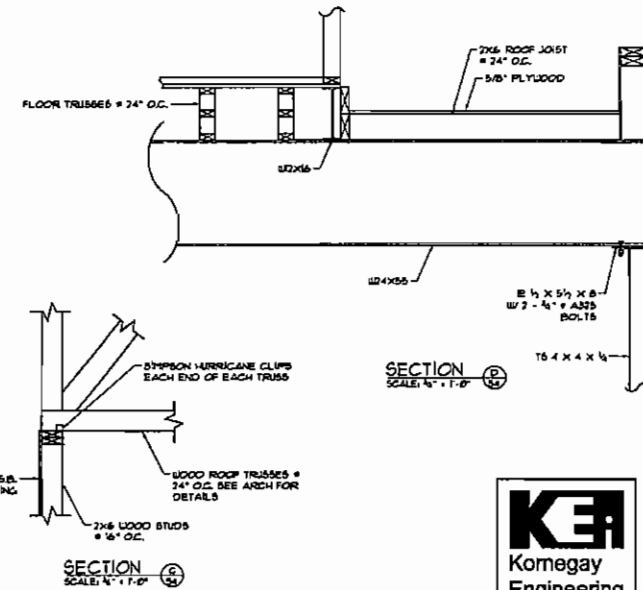
SHEAR WALL A-A
SCALE: 1/4" = 1'-0"



SHEAR WALL B-B
SCALE: 1/4" = 1'-0"



PLAN DETAIL
SCALE: 1/4" = 1'-0"



SECTION C-C
SCALE: 1/4" = 1'-0"

KEA
Komegay
Engineering
Inc.
Structural Consultant
363 Pierce Avenue
Suite 202
Macon, GA 31204
(478)745-6161 ph
(478)745-4744 fax
Project No: 07-015

RELEASED FOR
CONSTRUCTION
DATE 3/12/07 BY: CWJ

PROPOSED 75 ROOM MOTEL FOR
COMFORT SUITES
MACON, GEORGIA
SHRUTI CORPORATION, OWNER



Wolf & Associates Architects
MACON, GEORGIA • 448 STONE EDGE RD, ZIP 31210
PHONE 478-741-8818 FAX 478-741-8380
HIGHLANDS, NORTH CAROLINA 740 HORSE COVE ROAD, 28741
PHONE 828-328-8995 FAX 828-328-8995

DATE: 3/12/07
SHEET NO.
S-4