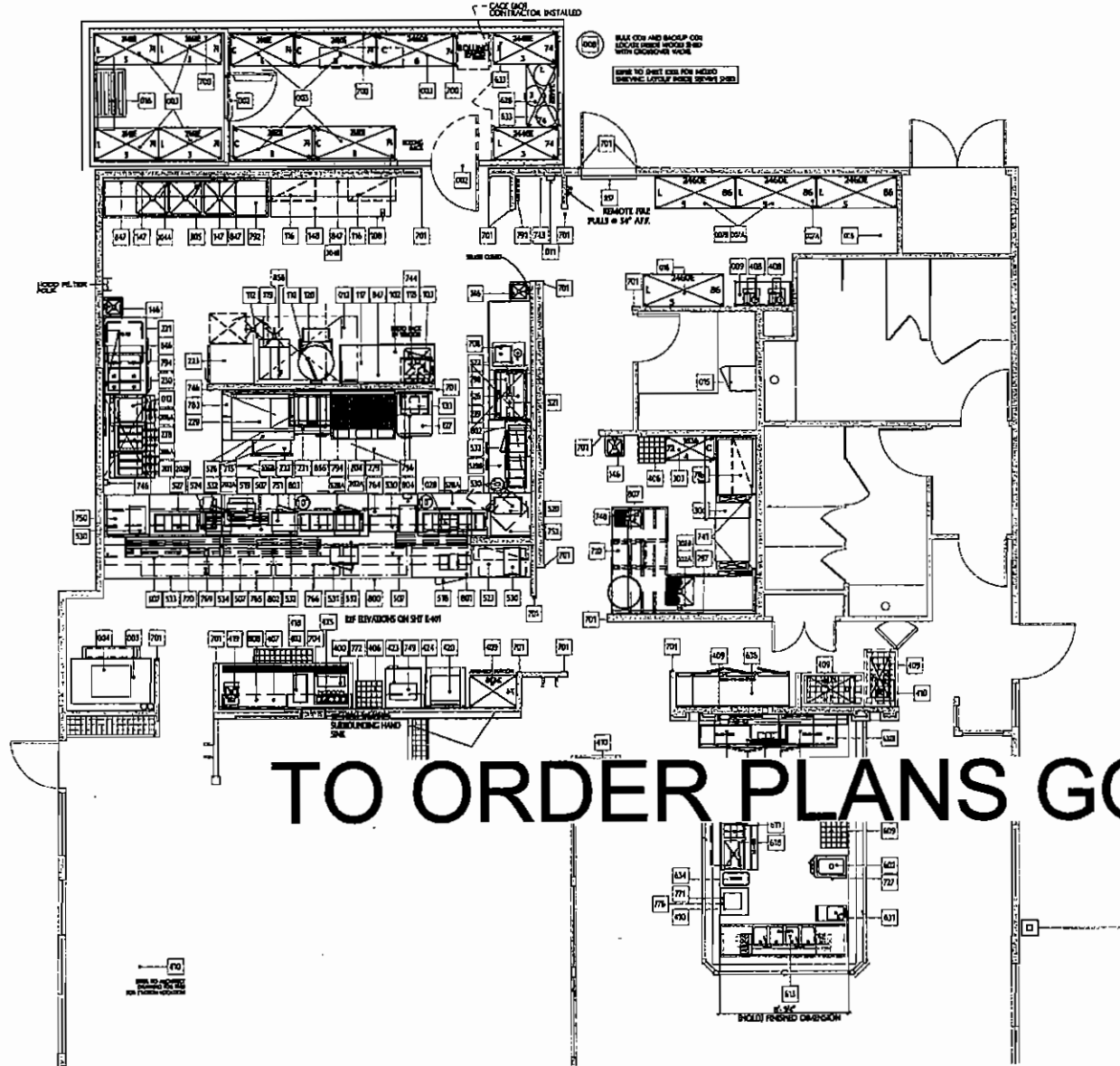
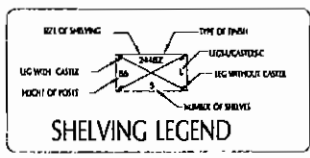


COPYRIGHT 2005 C. BRYANT BURTON KUPUNAS ARCHITECTS INC. THESE DRAWINGS AND SPECIFICATIONS ARE INSTRUMENTS OF SERVICE AND SHALL REMAIN THE PROPERTY OF THE ARCHITECT. THEY ARE NOT TO BE USED ON OTHER PROJECTS OR EXTENSIONS TO THIS PROJECT WITHOUT PRIOR WRITTEN AGREEMENT WITH THE ARCHITECT.



KITCHEN & BAR EQUIPMENT PLAN



TO ORDER PLANS GO TO [Idiline.com](http://Idiline.com)

Eq. #/Qty	Description	Alt. ID	Item Number	Provided By	Installed By	Unit	Water	Drain
501	Walk In Cooler/Freezer	BLANFORD	005-003-00-001	Owner	Owner	YES		Indirect
502	Walk In Freezer	INTERMETRO	005-003-00-002	ES	ES	YES	CA	Cold
503	Walk In Freezer	HANTRON/COOK	005-003-00-003	Owner	Owner	YES		Indirect
504	Roll In Ice Bin	COLLETT	005-003-00-004	Owner	Owner	YES		Indirect
505	Roll In Ice Bin	INTERMETRO	005-003-00-005	ES	ES	YES		Indirect
506	Roll In Ice Bin	INTERMETRO	005-003-00-006	ES	ES	YES		Indirect
507	Roll In Ice Bin	INTERMETRO	005-003-00-007	ES	ES	YES		Indirect
508	Roll In Ice Bin	INTERMETRO	005-003-00-008	ES	ES	YES		Indirect
509	Roll In Ice Bin	INTERMETRO	005-003-00-009	ES	ES	YES		Indirect
510	Roll In Ice Bin	INTERMETRO	005-003-00-010	ES	ES	YES		Indirect
511	Roll In Ice Bin	INTERMETRO	005-003-00-011	ES	ES	YES		Indirect
512	Roll In Ice Bin	INTERMETRO	005-003-00-012	ES	ES	YES		Indirect
513	Roll In Ice Bin	INTERMETRO	005-003-00-013	ES	ES	YES		Indirect
514	Roll In Ice Bin	INTERMETRO	005-003-00-014	ES	ES	YES		Indirect
515	Roll In Ice Bin	INTERMETRO	005-003-00-015	ES	ES	YES		Indirect
516	Roll In Ice Bin	INTERMETRO	005-003-00-016	ES	ES	YES		Indirect
517	Roll In Ice Bin	INTERMETRO	005-003-00-017	ES	ES	YES		Indirect
518	Roll In Ice Bin	INTERMETRO	005-003-00-018	ES	ES	YES		Indirect
519	Roll In Ice Bin	INTERMETRO	005-003-00-019	ES	ES	YES		Indirect
520	Roll In Ice Bin	INTERMETRO	005-003-00-020	ES	ES	YES		Indirect
521	Roll In Ice Bin	INTERMETRO	005-003-00-021	ES	ES	YES		Indirect
522	Roll In Ice Bin	INTERMETRO	005-003-00-022	ES	ES	YES		Indirect
523	Roll In Ice Bin	INTERMETRO	005-003-00-023	ES	ES	YES		Indirect
524	Roll In Ice Bin	INTERMETRO	005-003-00-024	ES	ES	YES		Indirect
525	Roll In Ice Bin	INTERMETRO	005-003-00-025	ES	ES	YES		Indirect
526	Roll In Ice Bin	INTERMETRO	005-003-00-026	ES	ES	YES		Indirect
527	Roll In Ice Bin	INTERMETRO	005-003-00-027	ES	ES	YES		Indirect
528	Roll In Ice Bin	INTERMETRO	005-003-00-028	ES	ES	YES		Indirect
529	Roll In Ice Bin	INTERMETRO	005-003-00-029	ES	ES	YES		Indirect
530	Roll In Ice Bin	INTERMETRO	005-003-00-030	ES	ES	YES		Indirect
531	Roll In Ice Bin	INTERMETRO	005-003-00-031	ES	ES	YES		Indirect
532	Roll In Ice Bin	INTERMETRO	005-003-00-032	ES	ES	YES		Indirect
533	Roll In Ice Bin	INTERMETRO	005-003-00-033	ES	ES	YES		Indirect
534	Roll In Ice Bin	INTERMETRO	005-003-00-034	ES	ES	YES		Indirect
535	Roll In Ice Bin	INTERMETRO	005-003-00-035	ES	ES	YES		Indirect
536	Roll In Ice Bin	INTERMETRO	005-003-00-036	ES	ES	YES		Indirect
537	Roll In Ice Bin	INTERMETRO	005-003-00-037	ES	ES	YES		Indirect
538	Roll In Ice Bin	INTERMETRO	005-003-00-038	ES	ES	YES		Indirect
539	Roll In Ice Bin	INTERMETRO	005-003-00-039	ES	ES	YES		Indirect
540	Roll In Ice Bin	INTERMETRO	005-003-00-040	ES	ES	YES		Indirect
541	Roll In Ice Bin	INTERMETRO	005-003-00-041	ES	ES	YES		Indirect
542	Roll In Ice Bin	INTERMETRO	005-003-00-042	ES	ES	YES		Indirect
543	Roll In Ice Bin	INTERMETRO	005-003-00-043	ES	ES	YES		Indirect
544	Roll In Ice Bin	INTERMETRO	005-003-00-044	ES	ES	YES		Indirect
545	Roll In Ice Bin	INTERMETRO	005-003-00-045	ES	ES	YES		Indirect
546	Roll In Ice Bin	INTERMETRO	005-003-00-046	ES	ES	YES		Indirect
547	Roll In Ice Bin	INTERMETRO	005-003-00-047	ES	ES	YES		Indirect
548	Roll In Ice Bin	INTERMETRO	005-003-00-048	ES	ES	YES		Indirect
549	Roll In Ice Bin	INTERMETRO	005-003-00-049	ES	ES	YES		Indirect
550	Roll In Ice Bin	INTERMETRO	005-003-00-050	ES	ES	YES		Indirect
551	Roll In Ice Bin	INTERMETRO	005-003-00-051	ES	ES	YES		Indirect
552	Roll In Ice Bin	INTERMETRO	005-003-00-052	ES	ES	YES		Indirect
553	Roll In Ice Bin	INTERMETRO	005-003-00-053	ES	ES	YES		Indirect
554	Roll In Ice Bin	INTERMETRO	005-003-00-054	ES	ES	YES		Indirect
555	Roll In Ice Bin	INTERMETRO	005-003-00-055	ES	ES	YES		Indirect
556	Roll In Ice Bin	INTERMETRO	005-003-00-056	ES	ES	YES		Indirect
557	Roll In Ice Bin	INTERMETRO	005-003-00-057	ES	ES	YES		Indirect
558	Roll In Ice Bin	INTERMETRO	005-003-00-058	ES	ES	YES		Indirect
559	Roll In Ice Bin	INTERMETRO	005-003-00-059	ES	ES	YES		Indirect
560	Roll In Ice Bin	INTERMETRO	005-003-00-060	ES	ES	YES		Indirect
561	Roll In Ice Bin	INTERMETRO	005-003-00-061	ES	ES	YES		Indirect
562	Roll In Ice Bin	INTERMETRO	005-003-00-062	ES	ES	YES		Indirect
563	Roll In Ice Bin	INTERMETRO	005-003-00-063	ES	ES	YES		Indirect
564	Roll In Ice Bin	INTERMETRO	005-003-00-064	ES	ES	YES		Indirect
565	Roll In Ice Bin	INTERMETRO	005-003-00-065	ES	ES	YES		Indirect
566	Roll In Ice Bin	INTERMETRO	005-003-00-066	ES	ES	YES		Indirect
567	Roll In Ice Bin	INTERMETRO	005-003-00-067	ES	ES	YES		Indirect
568	Roll In Ice Bin	INTERMETRO	005-003-00-068	ES	ES	YES		Indirect
569	Roll In Ice Bin	INTERMETRO	005-003-00-069	ES	ES	YES		Indirect
570	Roll In Ice Bin	INTERMETRO	005-003-00-070	ES	ES	YES		Indirect
571	Roll In Ice Bin	INTERMETRO	005-003-00-071	ES	ES	YES		Indirect
572	Roll In Ice Bin	INTERMETRO	005-003-00-072	ES	ES	YES		Indirect
573	Roll In Ice Bin	INTERMETRO	005-003-00-073	ES	ES	YES		Indirect
574	Roll In Ice Bin	INTERMETRO	005-003-00-074	ES	ES	YES		Indirect
575	Roll In Ice Bin	INTERMETRO	005-003-00-075	ES	ES	YES		Indirect
576	Roll In Ice Bin	INTERMETRO	005-003-00-076	ES	ES	YES		Indirect
577	Roll In Ice Bin	INTERMETRO	005-003-00-077	ES	ES	YES		Indirect
578	Roll In Ice Bin	INTERMETRO	005-003-00-078	ES	ES	YES		Indirect
579	Roll In Ice Bin	INTERMETRO	005-003-00-079	ES	ES	YES		Indirect
580	Roll In Ice Bin	INTERMETRO	005-003-00-080	ES	ES	YES		Indirect
581	Roll In Ice Bin	INTERMETRO	005-003-00-081	ES	ES	YES		Indirect
582	Roll In Ice Bin	INTERMETRO	005-003-00-082	ES	ES	YES		Indirect
583	Roll In Ice Bin	INTERMETRO	005-003-00-083	ES	ES	YES		Indirect
584	Roll In Ice Bin	INTERMETRO	005-003-00-084	ES	ES	YES		Indirect
585	Roll In Ice Bin	INTERMETRO	005-003-00-085	ES	ES	YES		Indirect
586	Roll In Ice Bin	INTERMETRO	005-003-00-086	ES	ES	YES		Indirect
587	Roll In Ice Bin	INTERMETRO	005-003-00-087	ES	ES	YES		Indirect
588	Roll In Ice Bin	INTERMETRO	005-003-00-088	ES	ES	YES		Indirect
589	Roll In Ice Bin	INTERMETRO	005-003-00-089	ES	ES	YES		Indirect
590	Roll In Ice Bin	INTERMETRO	005-003-00-090	ES	ES	YES		Indirect
591	Roll In Ice Bin	INTERMETRO	005-003-00-091	ES	ES	YES		Indirect
592	Roll In Ice Bin	INTERMETRO	005-003-00-092	ES	ES	YES		Indirect
593	Roll In Ice Bin	INTERMETRO	005-003-00-093	ES	ES	YES		Indirect
594	Roll In Ice Bin	INTERMETRO	005-003-00-094	ES	ES	YES		Indirect
595	Roll In Ice Bin	INTERMETRO	005-003-00-095	ES	ES	YES		Indirect
596	Roll In Ice Bin	INTERMETRO	005-003-00-096	ES	ES	YES		Indirect
597	Roll In Ice Bin	INTERMETRO	005-003-00-097	ES	ES	YES		Indirect
598	Roll In Ice Bin	INTERMETRO	005-003-00-098	ES	ES	YES		Indirect
599	Roll In Ice Bin	INTERMETRO	005-003-00-099	ES	ES	YES		Indirect
600	Roll In Ice Bin	INTERMETRO	005-003-00-100	ES	ES	YES		Indirect

GENERAL FOODSERVICE HEALTH DEPARTMENT NOTES

- ALL EQUIPMENT SHALL BE INSTALLED IN ACCORDANCE WITH THE HEALTH DEPARTMENT REGULATIONS AND THE MANUFACTURER'S INSTALLATION INSTRUCTIONS.
- ALL EQUIPMENT SHALL BE INSTALLED IN ACCORDANCE WITH THE HEALTH DEPARTMENT REGULATIONS AND THE MANUFACTURER'S INSTALLATION INSTRUCTIONS.
- ALL EQUIPMENT SHALL BE INSTALLED IN ACCORDANCE WITH THE HEALTH DEPARTMENT REGULATIONS AND THE MANUFACTURER'S INSTALLATION INSTRUCTIONS.
- ALL EQUIPMENT SHALL BE INSTALLED IN ACCORDANCE WITH THE HEALTH DEPARTMENT REGULATIONS AND THE MANUFACTURER'S INSTALLATION INSTRUCTIONS.
- ALL EQUIPMENT SHALL BE INSTALLED IN ACCORDANCE WITH THE HEALTH DEPARTMENT REGULATIONS AND THE MANUFACTURER'S INSTALLATION INSTRUCTIONS.
- ALL EQUIPMENT SHALL BE INSTALLED IN ACCORDANCE WITH THE HEALTH DEPARTMENT REGULATIONS AND THE MANUFACTURER'S INSTALLATION INSTRUCTIONS.
- ALL EQUIPMENT SHALL BE INSTALLED IN ACCORDANCE WITH THE HEALTH DEPARTMENT REGULATIONS AND THE MANUFACTURER'S INSTALLATION INSTRUCTIONS.
- ALL EQUIPMENT SHALL BE INSTALLED IN ACCORDANCE WITH THE HEALTH DEPARTMENT REGULATIONS AND THE MANUFACTURER'S INSTALLATION INSTRUCTIONS.
- ALL EQUIPMENT SHALL BE INSTALLED IN ACCORDANCE WITH THE HEALTH DEPARTMENT REGULATIONS AND THE MANUFACTURER'S INSTALLATION INSTRUCTIONS.
- ALL EQUIPMENT SHALL BE INSTALLED IN ACCORDANCE WITH THE HEALTH DEPARTMENT REGULATIONS AND THE MANUFACTURER'S INSTALLATION INSTRUCTIONS.

**DAVID GRAHAM BRYANT ARCHITECT**

3700 Main Street  
Suite 13  
Dallas, Texas 75226

**MEP ENGINEER**

Lwanda & Company LLC  
5155 Pecos Square Blvd.  
Suite 400  
Dallas, Texas 75034

**STRUCTURAL**

Ronald A. Roberts and Assoc.  
1420 W. Mockingbird Lane  
Dallas, Tx 75247

**CIVIL**

Carlo & Slope, Inc.  
6310 Peckle Road  
Macon, Georgia 31210

**Chili's 12.5 Bonnaroo II**  
510 Commerce Blvd.  
Intersection of Veterans Memorial Pkwy.  
and Brannen St.  
Statesboro, Georgia 30458

**OWNER**

Bonnaroo Restaurant II  
Group, LP  
125 S. Midway Ave.  
Suite H  
Athens, GA 30605

**OWNER'S CONSULTANT**

TIG Development Co, LLC  
3410 Midcourt Rd.  
Ste. 116  
Carrollton, TX 75006

**CONTRACTOR SHALL VERIFY**  
ALL DIMENSIONS AND CONDITIONS  
BEFORE COMMENCING WORK. THE  
OWNER SHALL BE RESPONSIBLE FOR  
OBTAINING ALL NECESSARY PERMITS  
AND INSURANCE COVERAGE.  
NO WORK SHALL BE DONE  
WITHOUT A WRITTEN ORDER.

**ARCHITECT**

**REV PLAN**

**ISSUE**

Perme Documents 04/09/07

**Construction Set**

ERC Project No. 2005-46  
Drawn By: 001  
Checked By: 003  
Date: 04/09/07

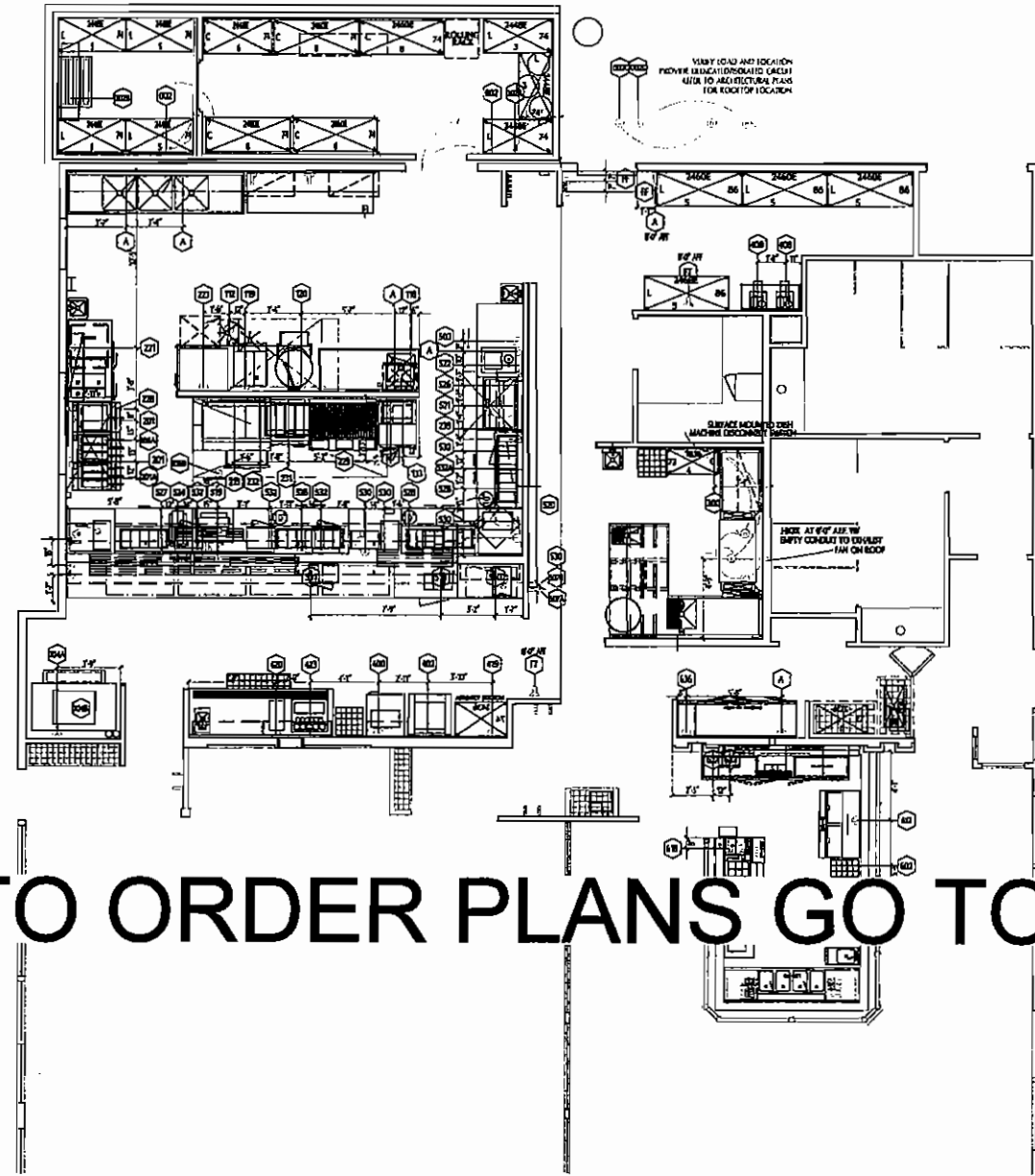
**Food Service Plan**

Sheet No. **K101**





COPYRIGHT 2006 BY BRYANT BURTON KURCIANUS ARCHITECTS INC. THESE DRAWINGS AND SPECIFICATIONS ARE INSTRUMENTS OF SERVICE AND SHALL REMAIN THE PROPERTY OF THE ARCHITECT. THEY ARE NOT TO BE USED ON OTHER PROJECTS OR EXTENSIONS TO THIS PROJECT WITHOUT PRIOR WRITTEN AGREEMENT WITH THE ARCHITECT.



TO ORDER PLANS GO TO [Idiline.com](http://Idiline.com)

SYMBOL LEGEND	
○	SINGLE CONVENIENCE OUTLET (SCO)
⊕	DOUBLE CONVENIENCE OUTLET (DCO)
⊙	JUNCTION BOX (JB)
⊚	HEATING ELEMENT ON POWER
⊚	MOTION OUTLET
⊚	SELECTION OR CONTROL CIRCUIT
⊚	SINGLE POWER OUTLET AS NOTED
⊚	CONVENIENCE OUTLET, 2 CIRCUIT 125/250V-1PH, 3 WIRE (OR AS NOTED)
⊚	LIGHT INDICATION
⊚	CONDUIT AS NOTED
⊚	SPECIAL OUTLET AS NOTED
⊚	PANEL/BOARD
⊚	DISCONNECT SWITCH
⊚	SWITCH AS NOTED
⊚	SWITCH AND PILOT LIGHT
⊚	ELEVATION KIT
A	AMP/FEET
V	VOLTS
W	WIRTS
PH	PHASE
AF	ARENE FINISHED FLOOR
BTC	BRANCH TO CONNECTION POINT AND CONNECT EQUIPMENT
BTF	BRANCH TO FIXTURE, FURNISH AND INSTAL RECEPTACLE
JFA	DRUP FROM ABOVE
SU	STUB UP W/F
H/P	HOSP/POWER
KW	KILOWATTS

WALK-IN NOTES

A. ELECTRICAL TO SET DISCONNECTS, ONE PER CONDENSING UNIT.

B. ELECTRICAL TO PULL WIRES TO EVAPORATOR, 110/60A, 10A TO PANEL.

C. ELECTRICAL TO RUN CONTROL WIRING BETWEEN CONDENSER + EVAPORATOR, 2 PR. @ 14 GA.

D. HEAT STRIP FOR DOOR WIRED TO SAME CIRCUIT AS WALK-IN LIGHTS, BY ELECTRICIAN.

ITEM	QTY	TYPE	CONNECTION TO	NOTES	GENERAL NOTES
001	1	30	WALK-IN/WALKER/REFRIG COOLER LIGHTS	2.5	BYC
002	1	30	WALK-IN/WALKER COOLER LIGHTS	2.5	BYC
003	1	30	WALK-IN/WALKER COOLER LIGHTS	2.5	BYC
004	1	30	WALK-IN/WALKER COOLER LIGHTS	2.5	BYC
005	1	30	WALK-IN/WALKER COOLER LIGHTS	2.5	BYC
006	1	30	WALK-IN/WALKER COOLER LIGHTS	2.5	BYC
007	1	30	WALK-IN/WALKER COOLER LIGHTS	2.5	BYC
008	1	30	WALK-IN/WALKER COOLER LIGHTS	2.5	BYC
009	1	30	WALK-IN/WALKER COOLER LIGHTS	2.5	BYC
010	1	30	WALK-IN/WALKER COOLER LIGHTS	2.5	BYC
011	1	30	WALK-IN/WALKER COOLER LIGHTS	2.5	BYC
012	1	30	WALK-IN/WALKER COOLER LIGHTS	2.5	BYC
013	1	30	WALK-IN/WALKER COOLER LIGHTS	2.5	BYC
014	1	30	WALK-IN/WALKER COOLER LIGHTS	2.5	BYC
015	1	30	WALK-IN/WALKER COOLER LIGHTS	2.5	BYC
016	1	30	WALK-IN/WALKER COOLER LIGHTS	2.5	BYC
017	1	30	WALK-IN/WALKER COOLER LIGHTS	2.5	BYC
018	1	30	WALK-IN/WALKER COOLER LIGHTS	2.5	BYC
019	1	30	WALK-IN/WALKER COOLER LIGHTS	2.5	BYC
020	1	30	WALK-IN/WALKER COOLER LIGHTS	2.5	BYC
021	1	30	WALK-IN/WALKER COOLER LIGHTS	2.5	BYC
022	1	30	WALK-IN/WALKER COOLER LIGHTS	2.5	BYC
023	1	30	WALK-IN/WALKER COOLER LIGHTS	2.5	BYC
024	1	30	WALK-IN/WALKER COOLER LIGHTS	2.5	BYC
025	1	30	WALK-IN/WALKER COOLER LIGHTS	2.5	BYC
026	1	30	WALK-IN/WALKER COOLER LIGHTS	2.5	BYC
027	1	30	WALK-IN/WALKER COOLER LIGHTS	2.5	BYC
028	1	30	WALK-IN/WALKER COOLER LIGHTS	2.5	BYC
029	1	30	WALK-IN/WALKER COOLER LIGHTS	2.5	BYC
030	1	30	WALK-IN/WALKER COOLER LIGHTS	2.5	BYC
031	1	30	WALK-IN/WALKER COOLER LIGHTS	2.5	BYC
032	1	30	WALK-IN/WALKER COOLER LIGHTS	2.5	BYC
033	1	30	WALK-IN/WALKER COOLER LIGHTS	2.5	BYC
034	1	30	WALK-IN/WALKER COOLER LIGHTS	2.5	BYC
035	1	30	WALK-IN/WALKER COOLER LIGHTS	2.5	BYC
036	1	30	WALK-IN/WALKER COOLER LIGHTS	2.5	BYC
037	1	30	WALK-IN/WALKER COOLER LIGHTS	2.5	BYC
038	1	30	WALK-IN/WALKER COOLER LIGHTS	2.5	BYC
039	1	30	WALK-IN/WALKER COOLER LIGHTS	2.5	BYC
040	1	30	WALK-IN/WALKER COOLER LIGHTS	2.5	BYC
041	1	30	WALK-IN/WALKER COOLER LIGHTS	2.5	BYC
042	1	30	WALK-IN/WALKER COOLER LIGHTS	2.5	BYC
043	1	30	WALK-IN/WALKER COOLER LIGHTS	2.5	BYC
044	1	30	WALK-IN/WALKER COOLER LIGHTS	2.5	BYC
045	1	30	WALK-IN/WALKER COOLER LIGHTS	2.5	BYC
046	1	30	WALK-IN/WALKER COOLER LIGHTS	2.5	BYC
047	1	30	WALK-IN/WALKER COOLER LIGHTS	2.5	BYC
048	1	30	WALK-IN/WALKER COOLER LIGHTS	2.5	BYC
049	1	30	WALK-IN/WALKER COOLER LIGHTS	2.5	BYC
050	1	30	WALK-IN/WALKER COOLER LIGHTS	2.5	BYC
051	1	30	WALK-IN/WALKER COOLER LIGHTS	2.5	BYC
052	1	30	WALK-IN/WALKER COOLER LIGHTS	2.5	BYC
053	1	30	WALK-IN/WALKER COOLER LIGHTS	2.5	BYC
054	1	30	WALK-IN/WALKER COOLER LIGHTS	2.5	BYC
055	1	30	WALK-IN/WALKER COOLER LIGHTS	2.5	BYC
056	1	30	WALK-IN/WALKER COOLER LIGHTS	2.5	BYC
057	1	30	WALK-IN/WALKER COOLER LIGHTS	2.5	BYC
058	1	30	WALK-IN/WALKER COOLER LIGHTS	2.5	BYC
059	1	30	WALK-IN/WALKER COOLER LIGHTS	2.5	BYC
060	1	30	WALK-IN/WALKER COOLER LIGHTS	2.5	BYC
061	1	30	WALK-IN/WALKER COOLER LIGHTS	2.5	BYC
062	1	30	WALK-IN/WALKER COOLER LIGHTS	2.5	BYC
063	1	30	WALK-IN/WALKER COOLER LIGHTS	2.5	BYC
064	1	30	WALK-IN/WALKER COOLER LIGHTS	2.5	BYC
065	1	30	WALK-IN/WALKER COOLER LIGHTS	2.5	BYC
066	1	30	WALK-IN/WALKER COOLER LIGHTS	2.5	BYC
067	1	30	WALK-IN/WALKER COOLER LIGHTS	2.5	BYC
068	1	30	WALK-IN/WALKER COOLER LIGHTS	2.5	BYC
069	1	30	WALK-IN/WALKER COOLER LIGHTS	2.5	BYC
070	1	30	WALK-IN/WALKER COOLER LIGHTS	2.5	BYC
071	1	30	WALK-IN/WALKER COOLER LIGHTS	2.5	BYC
072	1	30	WALK-IN/WALKER COOLER LIGHTS	2.5	BYC
073	1	30	WALK-IN/WALKER COOLER LIGHTS	2.5	BYC
074	1	30	WALK-IN/WALKER COOLER LIGHTS	2.5	BYC
075	1	30	WALK-IN/WALKER COOLER LIGHTS	2.5	BYC
076	1	30	WALK-IN/WALKER COOLER LIGHTS	2.5	BYC
077	1	30	WALK-IN/WALKER COOLER LIGHTS	2.5	BYC
078	1	30	WALK-IN/WALKER COOLER LIGHTS	2.5	BYC
079	1	30	WALK-IN/WALKER COOLER LIGHTS	2.5	BYC
080	1	30	WALK-IN/WALKER COOLER LIGHTS	2.5	BYC
081	1	30	WALK-IN/WALKER COOLER LIGHTS	2.5	BYC
082	1	30	WALK-IN/WALKER COOLER LIGHTS	2.5	BYC
083	1	30	WALK-IN/WALKER COOLER LIGHTS	2.5	BYC
084	1	30	WALK-IN/WALKER COOLER LIGHTS	2.5	BYC
085	1	30	WALK-IN/WALKER COOLER LIGHTS	2.5	BYC
086	1	30	WALK-IN/WALKER COOLER LIGHTS	2.5	BYC
087	1	30	WALK-IN/WALKER COOLER LIGHTS	2.5	BYC
088	1	30	WALK-IN/WALKER COOLER LIGHTS	2.5	BYC
089	1	30	WALK-IN/WALKER COOLER LIGHTS	2.5	BYC
090	1	30	WALK-IN/WALKER COOLER LIGHTS	2.5	BYC
091	1	30	WALK-IN/WALKER COOLER LIGHTS	2.5	BYC
092	1	30	WALK-IN/WALKER COOLER LIGHTS	2.5	BYC
093	1	30	WALK-IN/WALKER COOLER LIGHTS	2.5	BYC
094	1	30	WALK-IN/WALKER COOLER LIGHTS	2.5	BYC
095	1	30	WALK-IN/WALKER COOLER LIGHTS	2.5	BYC
096	1	30	WALK-IN/WALKER COOLER LIGHTS	2.5	BYC
097	1	30	WALK-IN/WALKER COOLER LIGHTS	2.5	BYC
098	1	30	WALK-IN/WALKER COOLER LIGHTS	2.5	BYC
099	1	30	WALK-IN/WALKER COOLER LIGHTS	2.5	BYC
100	1	30	WALK-IN/WALKER COOLER LIGHTS	2.5	BYC

ELECTRICAL ROUGH IN NOTES

A. ALL ELECTRICAL OUTLETS SHOWN ON THIS PLAN ARE FOR FIXTURES AND EQUIPMENT SETTING AS INDICATED BY THE EQUIPMENT CONTRACTOR. CHECK EQUIPMENT NOTES FOR ANY ADDITIONAL COMMENTS. OUTLETS USE OTHER ELECTRICAL SYMBOLS & REQUIREMENTS.

B. ALL DIMENSIONS GIVEN ARE FROM FINISHED FLOOR TO CENTER OF OUTLET. ALL OUTLETS ARE TO BE INSTALLED AT 48" FROM FINISHED FLOOR TO CENTER OF OUTLET. ALL OUTLETS ARE TO BE INSTALLED AT 18" FROM FINISHED FLOOR TO CENTER OF OUTLET. ALL OUTLETS ARE TO BE INSTALLED AT 18" FROM FINISHED FLOOR TO CENTER OF OUTLET.

C. ALL OUTLETS ARE TO BE INSTALLED AT 18" FROM FINISHED FLOOR TO CENTER OF OUTLET. ALL OUTLETS ARE TO BE INSTALLED AT 18" FROM FINISHED FLOOR TO CENTER OF OUTLET. ALL OUTLETS ARE TO BE INSTALLED AT 18" FROM FINISHED FLOOR TO CENTER OF OUTLET.

D. ALL ELECTRICAL OUTLETS ARE TO BE INSTALLED AT 18" FROM FINISHED FLOOR TO CENTER OF OUTLET. ALL ELECTRICAL OUTLETS ARE TO BE INSTALLED AT 18" FROM FINISHED FLOOR TO CENTER OF OUTLET. ALL ELECTRICAL OUTLETS ARE TO BE INSTALLED AT 18" FROM FINISHED FLOOR TO CENTER OF OUTLET.

E. ALL ELECTRICAL OUTLETS ARE TO BE INSTALLED AT 18" FROM FINISHED FLOOR TO CENTER OF OUTLET. ALL ELECTRICAL OUTLETS ARE TO BE INSTALLED AT 18" FROM FINISHED FLOOR TO CENTER OF OUTLET. ALL ELECTRICAL OUTLETS ARE TO BE INSTALLED AT 18" FROM FINISHED FLOOR TO CENTER OF OUTLET.

F. ALL ELECTRICAL OUTLETS ARE TO BE INSTALLED AT 18" FROM FINISHED FLOOR TO CENTER OF OUTLET. ALL ELECTRICAL OUTLETS ARE TO BE INSTALLED AT 18" FROM FINISHED FLOOR TO CENTER OF OUTLET. ALL ELECTRICAL OUTLETS ARE TO BE INSTALLED AT 18" FROM FINISHED FLOOR TO CENTER OF OUTLET.

G. ALL ELECTRICAL OUTLETS ARE TO BE INSTALLED AT 18" FROM FINISHED FLOOR TO CENTER OF OUTLET. ALL ELECTRICAL OUTLETS ARE TO BE INSTALLED AT 18" FROM FINISHED FLOOR TO CENTER OF OUTLET. ALL ELECTRICAL OUTLETS ARE TO BE INSTALLED AT 18" FROM FINISHED FLOOR TO CENTER OF OUTLET.

H. ALL ELECTRICAL OUTLETS ARE TO BE INSTALLED AT 18" FROM FINISHED FLOOR TO CENTER OF OUTLET. ALL ELECTRICAL OUTLETS ARE TO BE INSTALLED AT 18" FROM FINISHED FLOOR TO CENTER OF OUTLET. ALL ELECTRICAL OUTLETS ARE TO BE INSTALLED AT 18" FROM FINISHED FLOOR TO CENTER OF OUTLET.

I. ALL ELECTRICAL OUTLETS ARE TO BE INSTALLED AT 18" FROM FINISHED FLOOR TO CENTER OF OUTLET. ALL ELECTRICAL OUTLETS ARE TO BE INSTALLED AT 18" FROM FINISHED FLOOR TO CENTER OF OUTLET. ALL ELECTRICAL OUTLETS ARE TO BE INSTALLED AT 18" FROM FINISHED FLOOR TO CENTER OF OUTLET.

J. ALL ELECTRICAL OUTLETS ARE TO BE INSTALLED AT 18" FROM FINISHED FLOOR TO CENTER OF OUTLET. ALL ELECTRICAL OUTLETS ARE TO BE INSTALLED AT 18" FROM FINISHED FLOOR TO CENTER OF OUTLET. ALL ELECTRICAL OUTLETS ARE TO BE INSTALLED AT 18" FROM FINISHED FLOOR TO CENTER OF OUTLET.

K. ALL ELECTRICAL OUTLETS ARE TO BE INSTALLED AT 18" FROM FINISHED FLOOR TO CENTER OF OUTLET. ALL ELECTRICAL OUTLETS ARE TO BE INSTALLED AT 18" FROM FINISHED FLOOR TO CENTER OF OUTLET. ALL ELECTRICAL OUTLETS ARE TO BE INSTALLED AT 18" FROM FINISHED FLOOR TO CENTER OF OUTLET.

L. ALL ELECTRICAL OUTLETS ARE TO BE INSTALLED AT 18" FROM FINISHED FLOOR TO CENTER OF OUTLET. ALL ELECTRICAL OUTLETS ARE TO BE INSTALLED AT 18" FROM FINISHED FLOOR TO CENTER OF OUTLET. ALL ELECTRICAL OUTLETS ARE TO BE INSTALLED AT 18" FROM FINISHED FLOOR TO CENTER OF OUTLET.

M. ALL ELECTRICAL OUTLETS ARE TO BE INSTALLED AT 18" FROM FINISHED FLOOR TO CENTER OF OUTLET. ALL ELECTRICAL OUTLETS ARE TO BE INSTALLED AT 18" FROM FINISHED FLOOR TO CENTER OF OUTLET. ALL ELECTRICAL OUTLETS ARE TO BE INSTALLED AT 18" FROM FINISHED FLOOR TO CENTER OF OUTLET.

N. ALL ELECTRICAL OUTLETS ARE TO BE INSTALLED AT 18" FROM FINISHED FLOOR TO CENTER OF OUTLET. ALL ELECTRICAL OUTLETS ARE TO BE INSTALLED AT 18" FROM FINISHED FLOOR TO CENTER OF OUTLET. ALL ELECTRICAL OUTLETS ARE TO BE INSTALLED AT 18" FROM FINISHED FLOOR TO CENTER OF OUTLET.

O. ALL ELECTRICAL OUTLETS ARE TO BE INSTALLED AT 18" FROM FINISHED FLOOR TO CENTER OF OUTLET. ALL ELECTRICAL OUTLETS ARE TO BE INSTALLED AT 18" FROM FINISHED FLOOR TO CENTER OF OUTLET. ALL ELECTRICAL OUTLETS ARE TO BE INSTALLED AT 18" FROM FINISHED FLOOR TO CENTER OF OUTLET.

P. ALL ELECTRICAL OUTLETS ARE TO BE INSTALLED AT 18" FROM FINISHED FLOOR TO CENTER OF OUTLET. ALL ELECTRICAL OUTLETS ARE TO BE INSTALLED AT 18" FROM FINISHED FLOOR TO CENTER OF OUTLET. ALL ELECTRICAL OUTLETS ARE TO BE INSTALLED AT 18" FROM FINISHED FLOOR TO CENTER OF OUTLET.

Q. ALL ELECTRICAL OUTLETS ARE TO BE INSTALLED AT 18" FROM FINISHED FLOOR TO CENTER OF OUTLET. ALL ELECTRICAL OUTLETS ARE TO BE INSTALLED AT 18" FROM FINISHED FLOOR TO CENTER OF OUTLET. ALL ELECTRICAL OUTLETS ARE TO BE INSTALLED AT 18" FROM FINISHED FLOOR TO CENTER OF OUTLET.

R. ALL ELECTRICAL OUTLETS ARE TO BE INSTALLED AT 18" FROM FINISHED FLOOR TO CENTER OF OUTLET. ALL ELECTRICAL OUTLETS ARE TO BE INSTALLED AT 18" FROM FINISHED FLOOR TO CENTER OF OUTLET. ALL ELECTRICAL OUTLETS ARE TO BE INSTALLED AT 18" FROM FINISHED FLOOR TO CENTER OF OUTLET.

S. ALL ELECTRICAL OUTLETS ARE TO BE INSTALLED AT 18" FROM FINISHED FLOOR TO CENTER OF OUTLET. ALL ELECTRICAL OUTLETS ARE TO BE INSTALLED AT 18" FROM FINISHED FLOOR TO CENTER OF OUTLET. ALL ELECTRICAL OUTLETS ARE TO BE INSTALLED AT 18" FROM FINISHED FLOOR TO CENTER OF OUTLET.

T. ALL ELECTRICAL OUTLETS ARE TO BE INSTALLED AT 18" FROM FINISHED FLOOR TO CENTER OF OUTLET. ALL ELECTRICAL OUTLETS ARE TO BE INSTALLED AT 18" FROM FINISHED FLOOR TO CENTER OF OUTLET. ALL ELECTRICAL OUTLETS ARE TO BE INSTALLED AT 18" FROM FINISHED FLOOR TO CENTER OF OUTLET.

KITCHEN EQUIPMENT ELECTRICAL PLAN

**DAVID GRAHAM BRYANT**  
ARCHITECT

3200 Main Street  
Suite 13  
Dallas, Texas 75226

MEP ENGINEER

Lwanda & Company LLC  
6136 Frisco Square Blvd.  
Suite 400  
Dallas, Texas 75034

STRUCTURAL

Ronald A. Roberts and Assoc.  
1420 W. Mockingbird Lane  
Dallas, Tx  
75247

CIVIL

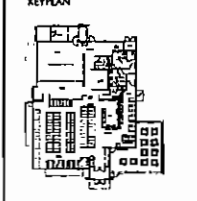
Carter & Sloope, Inc.  
6310 Peake Road  
Macon, Georgia 31210

**Chil's**  
 Chil's 12.5 Bonnaroo II  
 510 Commerce Blvd.  
 Intersection of Veterans Memorial Pkwy.  
 and Brannen St.  
 Statesboro, Georgia 30458

OWNER  
Bonnaroo Restaurant II  
Group, LP  
125 S. Midledge Ave.  
Suite 11  
Athens, GA 30605

OWNER'S CONSULTANT  
TIG Development Co, LLC  
3470 Midcourt Rd.  
Ste. 136  
Carrollton, TX 75006

CONTRACTOR SHALL VERIFY ALL DIMENSIONS AND CONDITIONS OF ANY EXISTING ELECTRICAL SYSTEMS OR EQUIPMENT BEFORE WORKING ON ANY ELECTRICAL SYSTEM.



ISSUE

Permit Documents 04/09/02

Construction Set

BRK Project No. 2005-46

Drawn By: 003

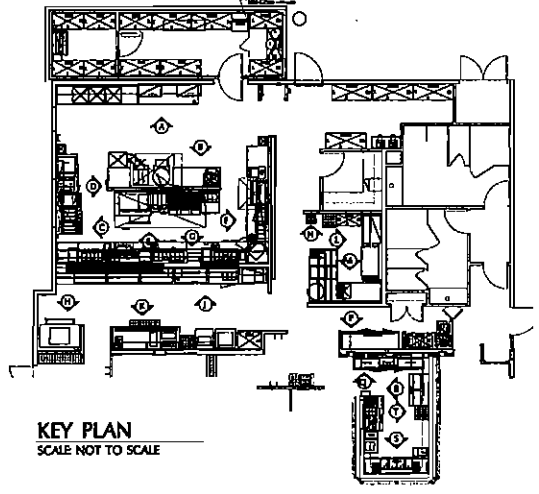
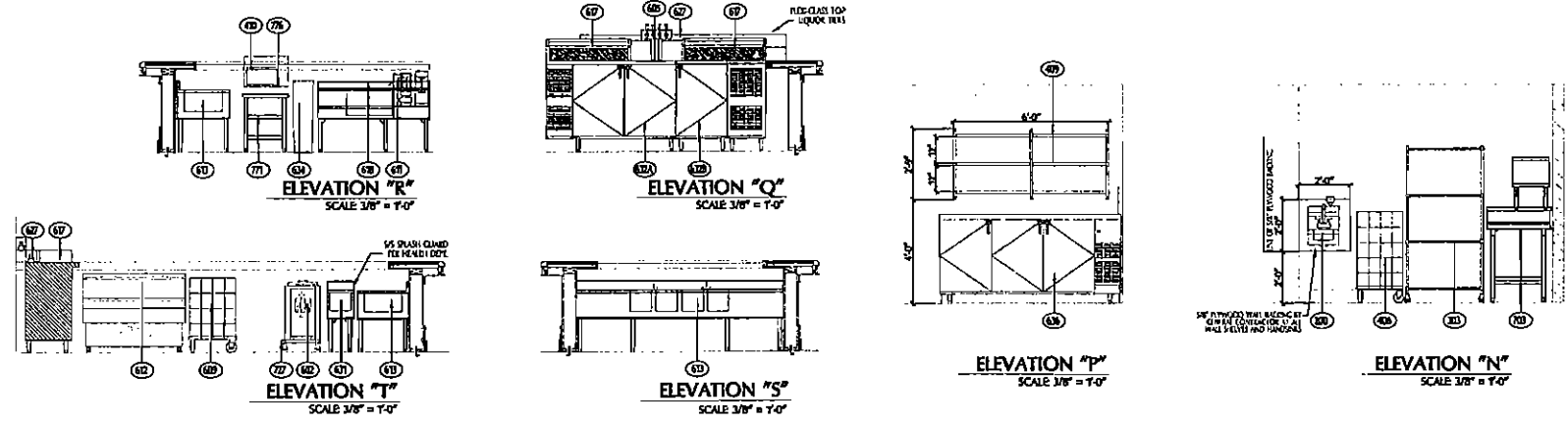
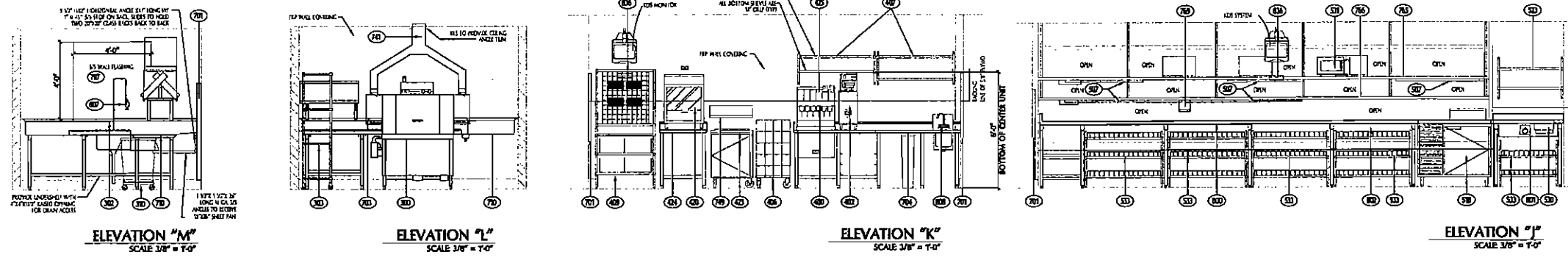
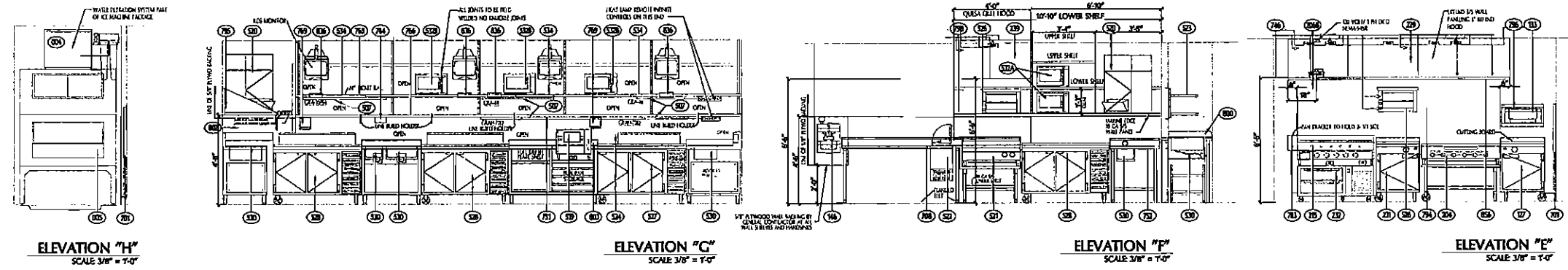
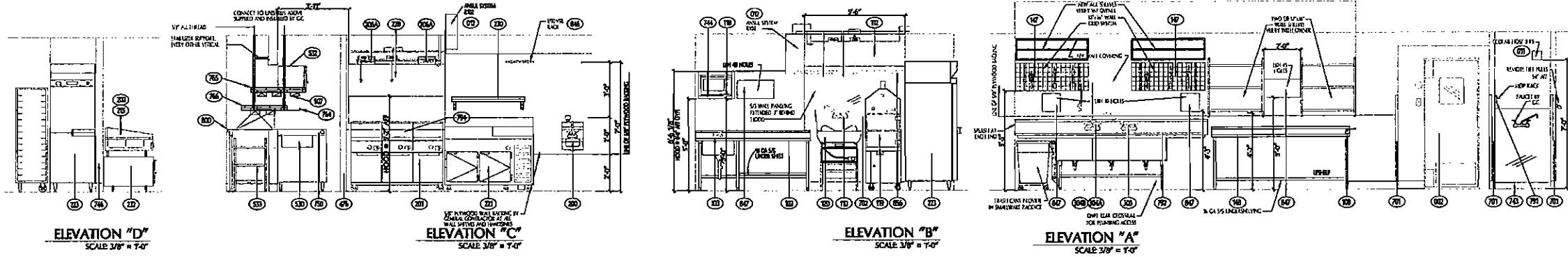
Checked By: 003

Date: 04/09/02

Food Service  
Electrical

Sheet No.  
**K3.01**

COPYRIGHT 2006 © BRYANT BURTON KUPCUNAS ARCHITECTS INC. THESE DRAWINGS AND SPECIFICATIONS ARE INSTRUMENTS OF SERVICE AND SHALL REMAIN THE PROPERTY OF THE ARCHITECT. THEY ARE NOT TO BE USED ON OTHER PROJECTS OR EXTENSIONS TO THIS PROJECT WITHOUT PRIOR WRITTEN AGREEMENT WITH THE ARCHITECT.



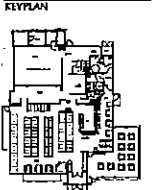
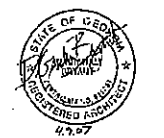
**TO ORDER PLANS GO TO [idiline.com](http://idiline.com)**

**DAVID GRAHAM BRYANT ARCHITECT**  
3200 Main Street  
Suite 13  
Dallas, Texas 75226  
MEP ENGINEER  
Lwanda & Company LLC  
6736 Frisco Square Blvd.  
Suite 400  
Dallas, Texas 75034  
STRUCTURAL  
Ronald A. Roberts and Assoc.  
1420 W. Mockingbird Lane  
Dallas, TX 75247  
CIVIL  
Carter & Sloope, Inc.  
6370 Peak Road  
Macon, Georgia 31210

**Chil's**  
Chil's 12.5 Bonnaroo II  
510 Commerce Blvd.  
Intersection of Veterans Memorial Pkwy.  
and Branren St.  
Statesboro, Georgia 30458

**OWNER**  
Bonnaroo Restaurant II  
Group, L.P.  
225 S. Millredge Ave.  
Suite H  
Athens, GA 30605  
**OWNER'S CONSULTANT**  
TIG Development Co., LLC  
3410 Midcourt Rd.  
Ste 136  
Carrollton, TX 75006

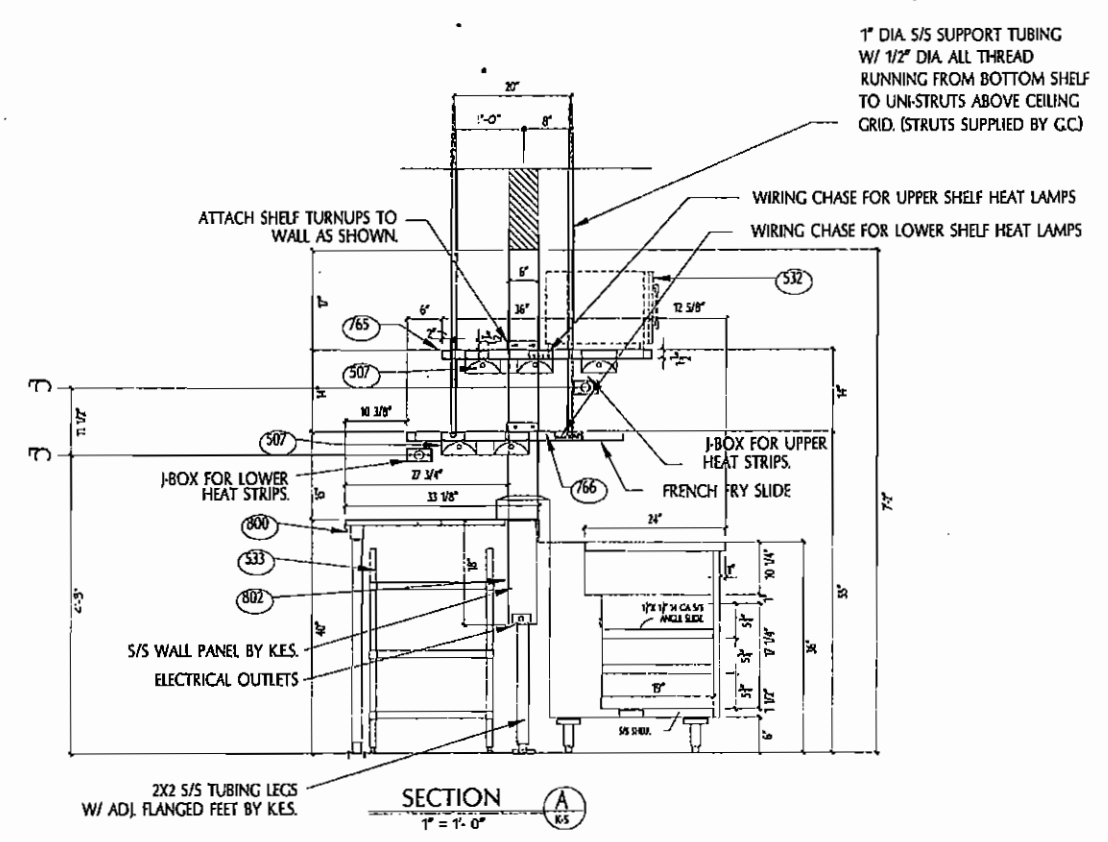
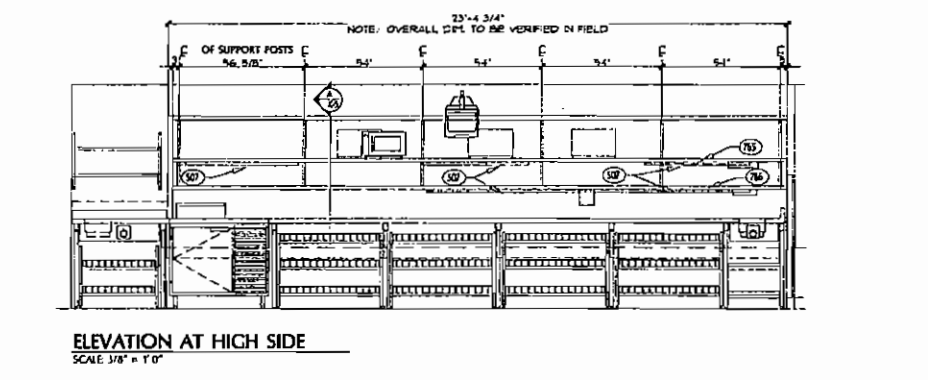
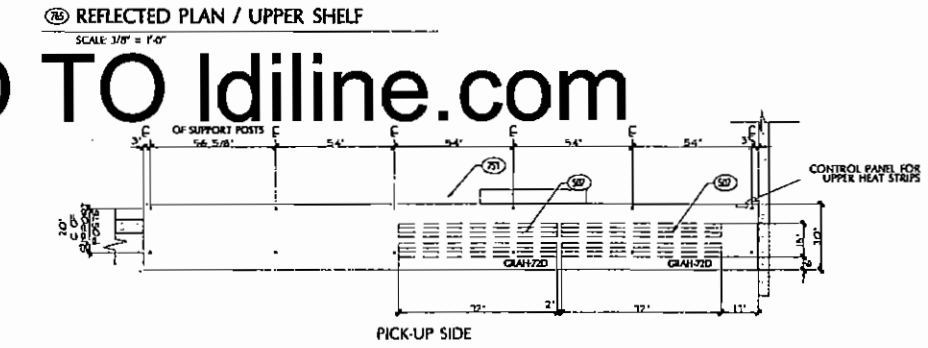
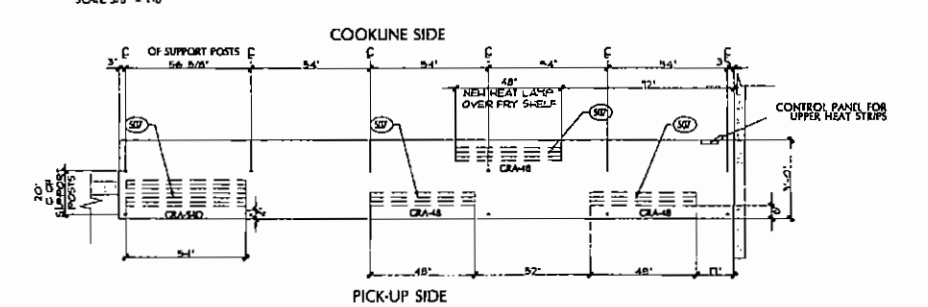
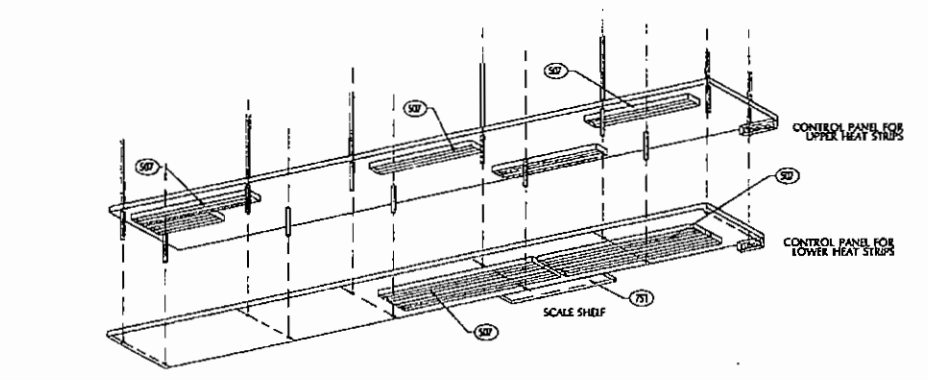
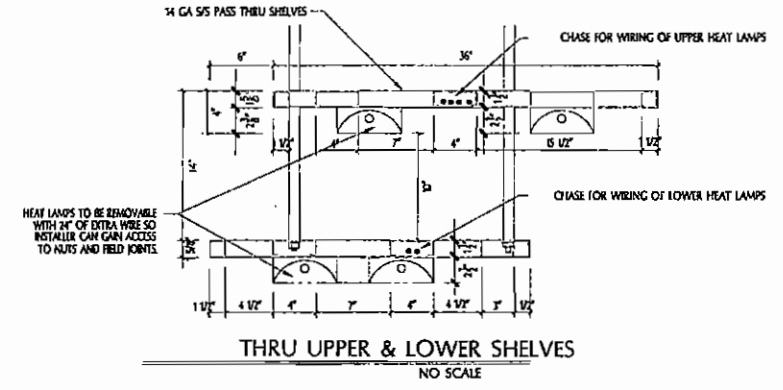
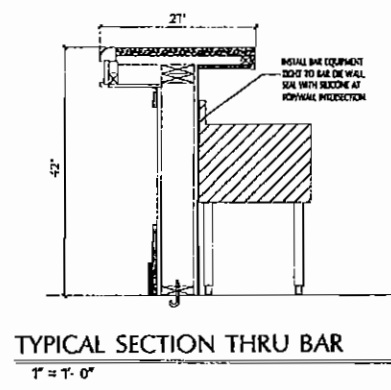
**CONTRACTOR SHALL VERIFY**  
ALL CONDITIONS AND DIMENSIONS  
AT THE JOB SITE AND NOTIFY  
THE ARCHITECT OF ANY  
DISCREPANCIES IMMEDIATELY.  
NO PARTIAL SCALE OR UNLESS  
NOTED OTHERWISE.



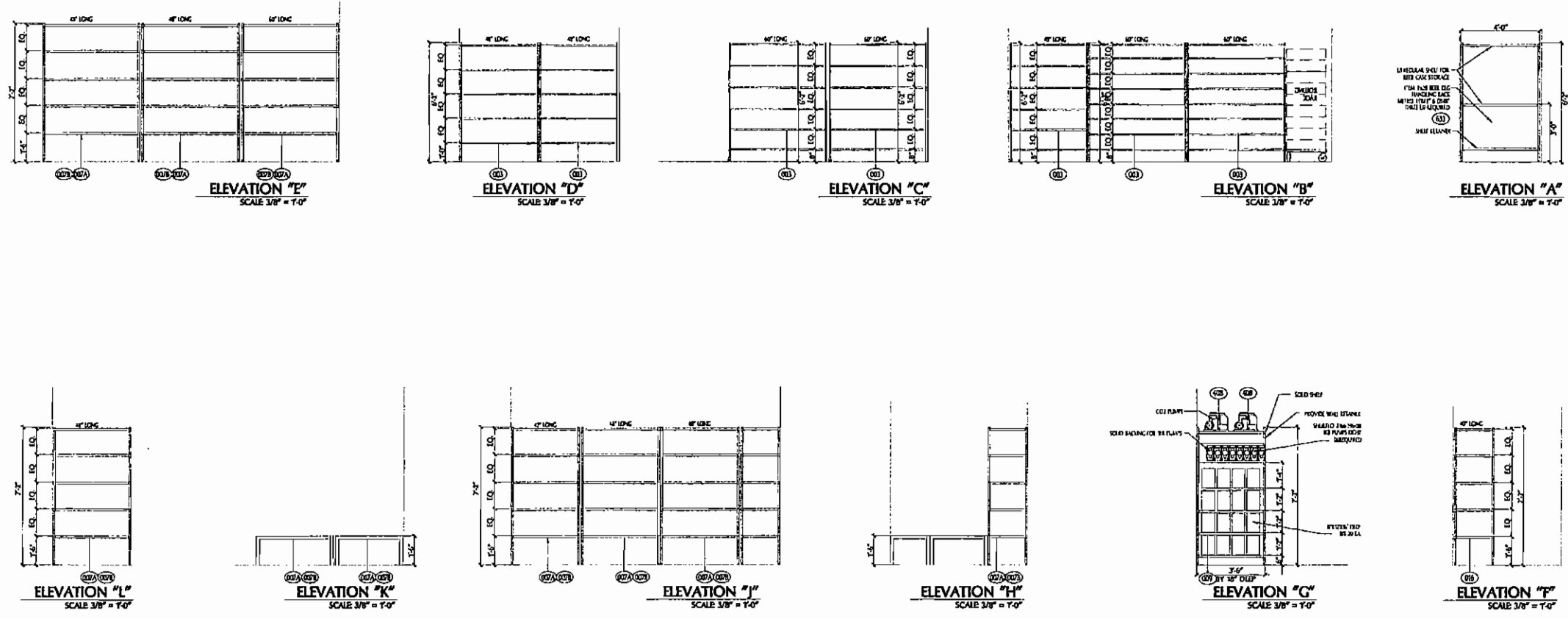
**ISSUE**  
Permit Documents 04/09/07  
**Construction Set**  
BBK Project No. 2005-46  
Drawn By: 003  
Checked By: 003  
Date: 04/29/07

Food Service  
Benisons  
Sheet No: **K4.01**

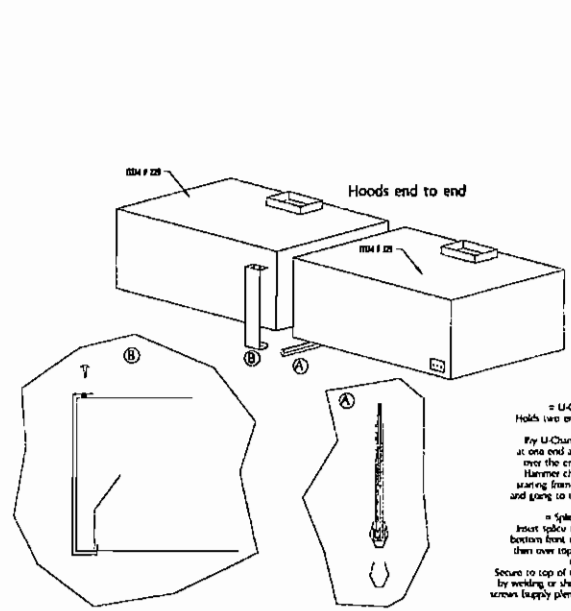
COPYRIGHT 2006 © BRYANT BURTON KUPCUNAS ARCHITECTS INC. THESE DRAWINGS AND SPECIFICATIONS ARE INSTRUMENTS OF SERVICE AND SHALL REMAIN THE PROPERTY OF THE ARCHITECT. THEY ARE NOT TO BE USED ON OTHER PROJECTS OR EXTENSIONS TO THIS PROJECT WITHOUT PRIOR WRITTEN AGREEMENT WITH THE ARCHITECT.



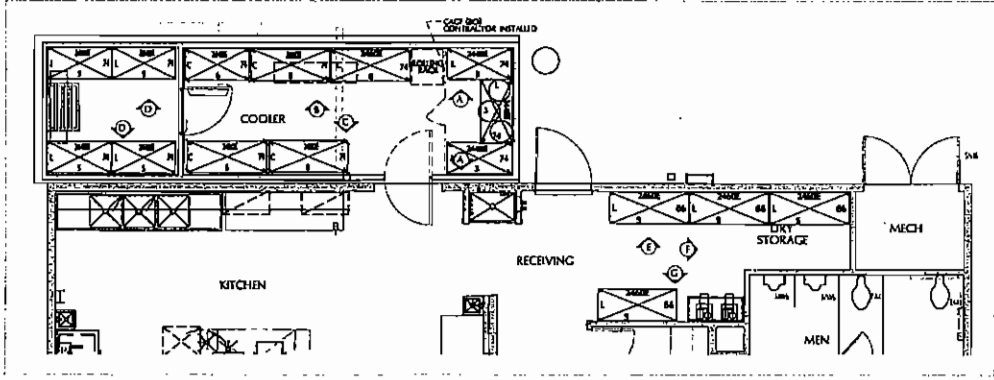
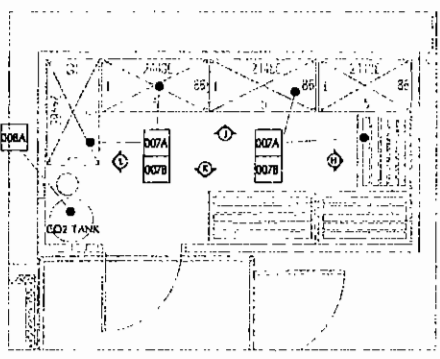
COPYRIGHT 2006 © BRYANT BURTON RUPCUNAS ARCHITECTS INC. THESE DRAWINGS AND SPECIFICATIONS ARE INSTRUMENTS OF SERVICE AND SHALL REMAIN THE PROPERTY OF THE ARCHITECT. THEY ARE NOT TO BE USED ON OTHER PROJECTS OR EXTENSIONS TO THIS PROJECT WITHOUT PRIOR WRITTEN AGREEMENT WITH THE ARCHITECT.



TO ORDER PLANS GO TO [Idiline.com](http://Idiline.com)



= U-Channel (A)  
 Holds two end panels together.  
 By U-Channel span at one end and insert into the end panels. Hammer channel on starting from one end and going to the other.  
 = Splice Step (B)  
 Insert splice step into bottom front edge first then over top front of the hood.  
 Secure to top of the hood by welding or sheet metal screws (supply premium only).



**DAVID GRAHAM BRYANT**  
 ARCHITECT  
 3200 Main Street  
 Suite 13  
 Dallas, Texas 75226  
 MEP ENGINEER  
 Iwanda & Company LLC  
 6136 Frisco Square Blvd.  
 Suite 400  
 Dallas, Texas 75034  
 STRUCTURAL  
 Ronald A. Roberts and Assoc.  
 1430 W. Mockingbird Lane  
 Dallas, Tx 75247  
 CIVIL  
 Carter & Sloop, Inc.  
 6310 Peake Road  
 Macon, Georgia 31210

**Chil's**  
 Chil's 12.5 Bonnaroo II  
 510 Commerce Blvd.  
 Intersection of Veterans Memorial Pkwy.  
 and Brannen St.  
 Statesboro, Georgia 30458

OWNER  
 Bonnaroo Restaurant II  
 Group, LP  
 125 S. Milledge Ave.  
 Suite H  
 Athens, GA 30605  
 OWNER'S CONSULTANT  
 TIC Development Co., LLC  
 3430 Midcourt Rd.  
 Ste. 116  
 Carrollton, TX 75006

CONTRACTOR SHALL VERIFY ALL CONDITIONS AND DIMENSIONS OF THE SITE AND ADJUST THE ARCHITECT'S PLAN AND SPECIFICATIONS TO ACCOMMODATE THE ACTUAL CONDITIONS. THE CONTRACTOR SHALL BE RESPONSIBLE FOR OBTAINING ALL NECESSARY PERMITS AND SHALL NOT SCALE ANY DIMENSIONS.



ISSUE  
 Perm. Documents 04/09/07  
 Construction Set  
 BSK Project No. 2005-46  
 Drawn By: 003  
 Checked By: 003  
 Date: 04/09/07  
 Sliding Installation Detail  
 Sheet No. **K5.02**