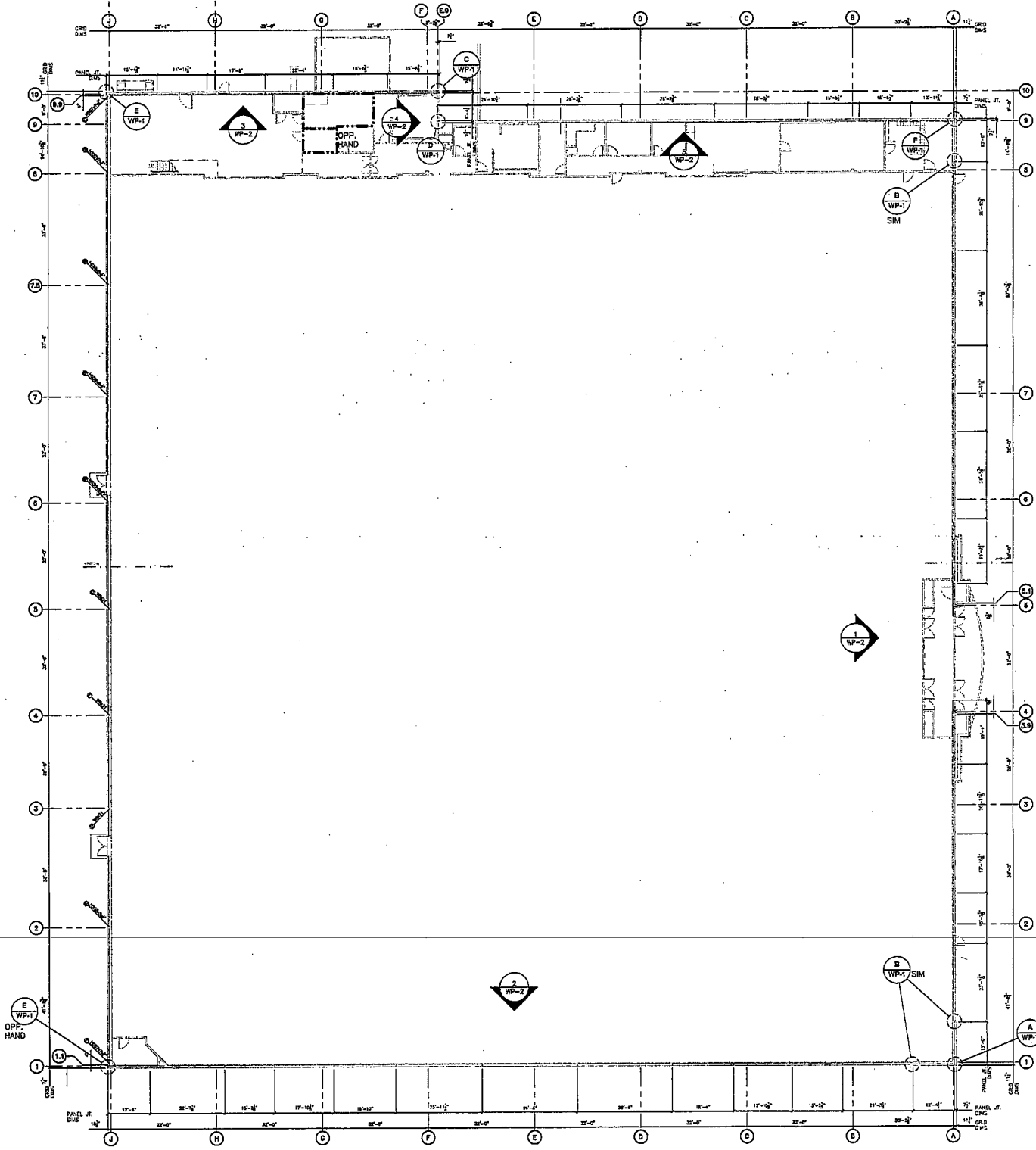
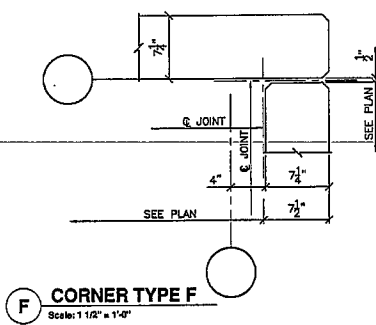
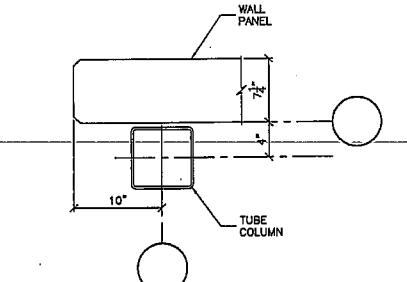
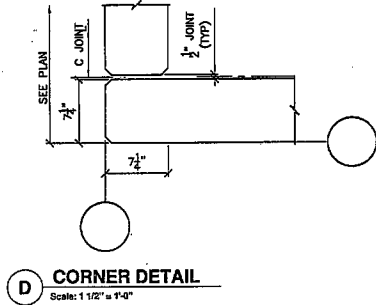
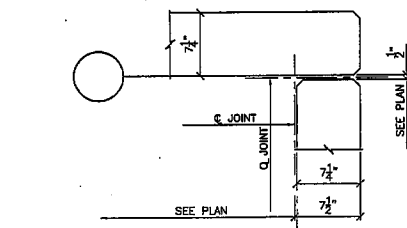
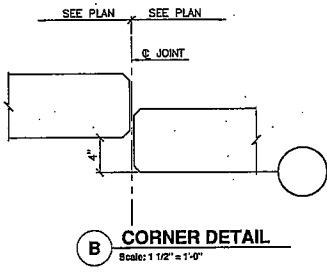
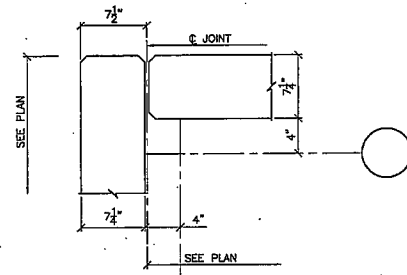


NOTES FOR TILT-WALL PANELS

- ALL CONCRETE $f'_c = 5,000$ PSI.
- REBAR NOTED AS "1L" IS SINGLE LAYER AND PLACED AT THE CENTER OF THE PANEL. ALL OTHER REBAR IS DOUBLE LAYER (2L).
- COORDINATE PANEL DIMENSIONS & OPENINGS w/ ARCHITECTURAL DRAWINGS.
- ALL HOOKS SHOWN ARE ACI STANDARD HOOKS.
- UNLESS NOTED PROVIDE THE FOLLOWING, TYPICAL, PANEL REINFORCING:
 - 2-#5 (2L) AT TOP, BOTTOM AND SIDES OF PANELS. PROVIDE STANDARD HOOKS ON HORIZONTAL BARS. VERTICAL BARS AT SIDES OF PANEL AND OPENINGS ARE NOT REQUIRED WHEN THEY ARE WITH A "COLUMN" SECTION. EXTEND BARS BEYOND OPENING TO EDGE OF PANEL UNLESS BROKEN BY ANOTHER OPENING.
 - PROVIDE TILES IN COLUMN AND BEAM SECTIONS WITH HOOKS AT EACH END.
- A COLUMN SECTION IS DEFINED AS A VERTICAL LEG OF A PANEL HAVING TWO LAYERS OF REINFORCING AND HORIZONTAL TIES. REINFORCING FOR COLUMN SECTIONS SHALL EXTEND FROM TOP TO BOTTOM OF PANEL.
- ALL EXPOSED EDGES SHALL HAVE A $\frac{3}{8}$ " x $\frac{3}{8}$ " CHAMFER UNLESS NOTED OTHERWISE.

EMBEDMENT PLATES AND ACCESSORIES FOR TILT-UP CONSTRUCTION SHALL BE INCLUDED IN THE ARCHITECTURAL MISCELLANEOUS STEEL BID PACKAGE. EMBEDMENT PLATES AND ACCESSORIES ARE NOT PART OF THE STRUCTURAL STEEL BID PACKAGE.



1 PANEL LAYOUT PLAN
Scale: 1/16" = 1'-0"

R:\BELK\Volume City FL 391\Sheet Set\Panel Layout PLAN.dwg - May 22, 2007 - 10:02am

ART RETAIL ARCHITECTURE & INTERIORS
ARTES DESIGN GROUP, INC.
1410 CORNAT STREET
MIAMI, FL 33135
TEL: (305) 372-2425

Gannett Fleming
301 S. WOODLAND STREET, SUITE 814
MIAMI, FL 33135
TEL: (305) 372-2425

BELK DEPARTMENT STORES
POSNER COMMONS
GRANDVIEW PARKWAY & VICTOR POSNER BOULEVARD
MIAMI, FL 33155
To order plans, go to www.rhipepro.com

Belk
STORE NO. 391

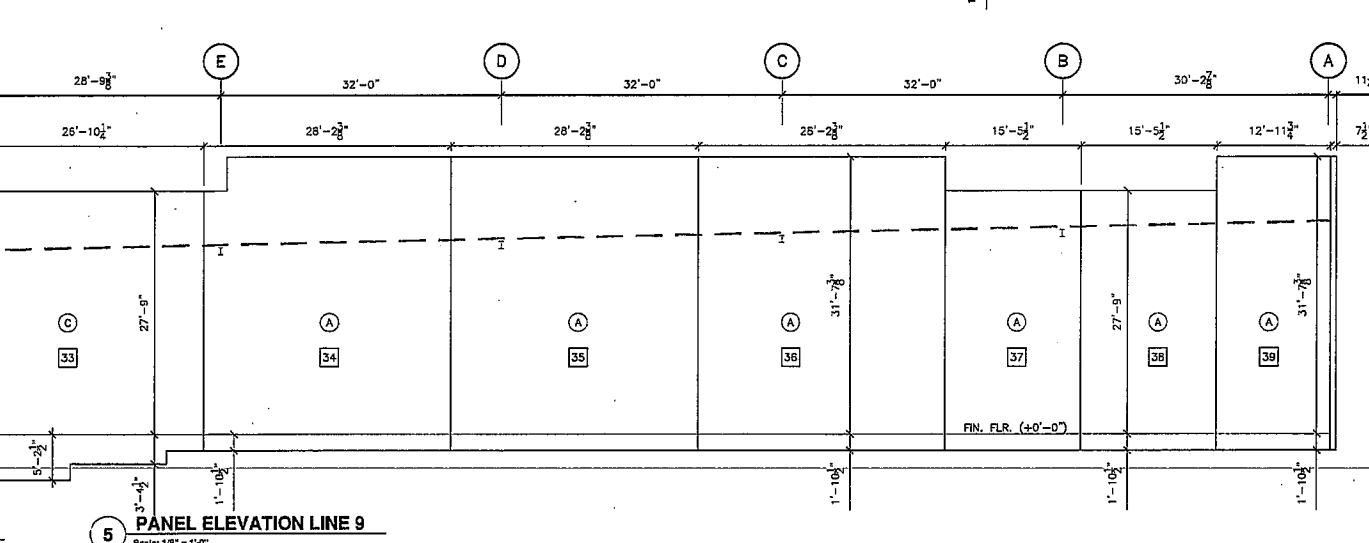
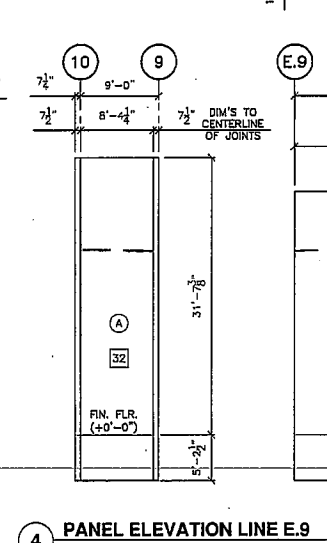
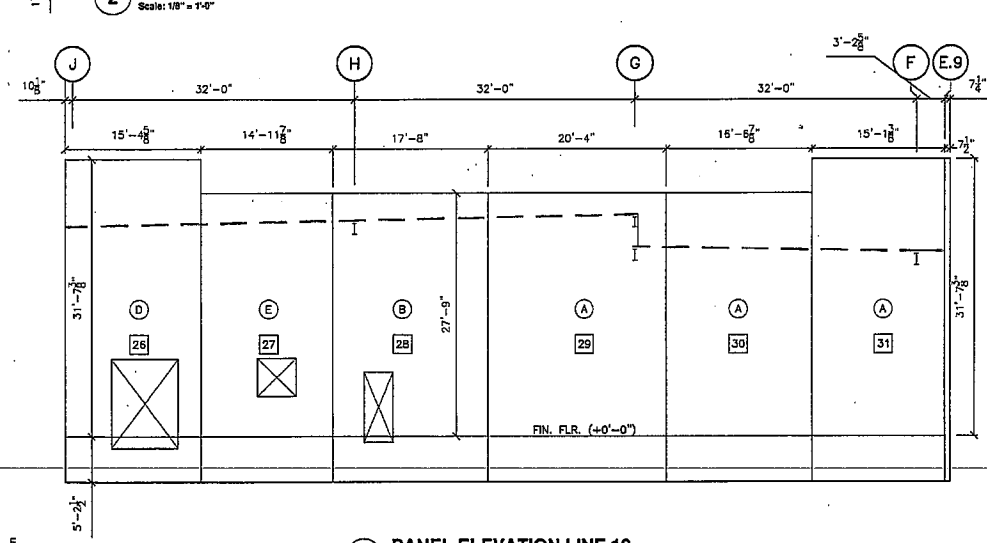
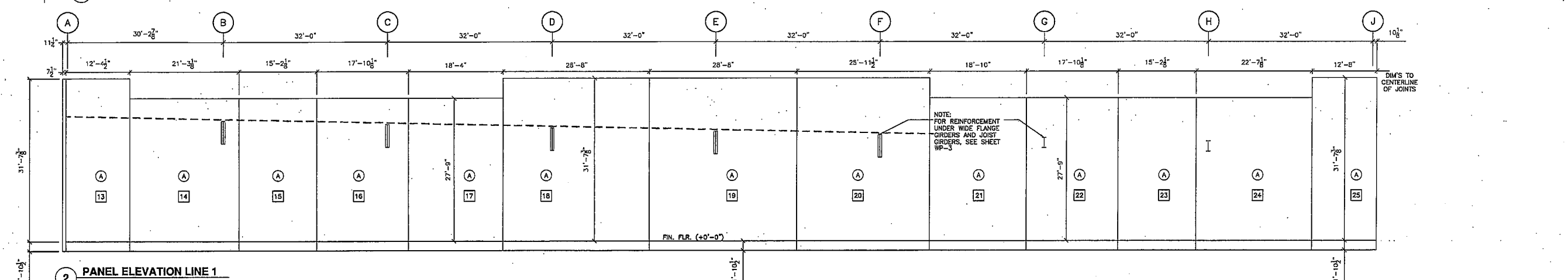
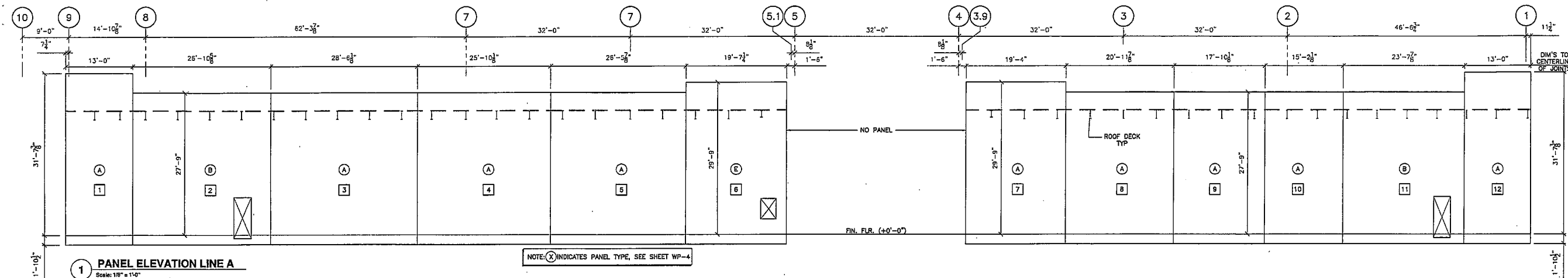
PANEL LAYOUT PLAN

REVISION
JUN 05 2007
STEWART PERRY
ISSUE DATES
INITIAL 03-15-07

JOB NO. DWN CKD
07-020

STRUCTURAL SHEET NO.

WP-1



RETAIL
ARCHITECTURE
& INTERIORS
ARTECH DESIGN GROUP, INC.
2323 COMBET STREET
ATLANTA, GA 30329
TEL: (770) 252-2428
FAX: (770) 252-2431

Crane & Planning
INCORPORATED
301 S. BARRETT STREET, SUITE 214
HAINES CITY, FLORIDA 33834
TEL: (787) 372-2428
FAX: (787) 372-2431

BELK DEPARTMENT STORES

POSNER COMMONS
GRANDVIEW PARKWAY & VICTOR POSNER BOULEVARD
HAINES CITY, FLORIDA

To order plans, go to www.hainescity.com



PANEL ELEVATIONS
STORE NO. 331

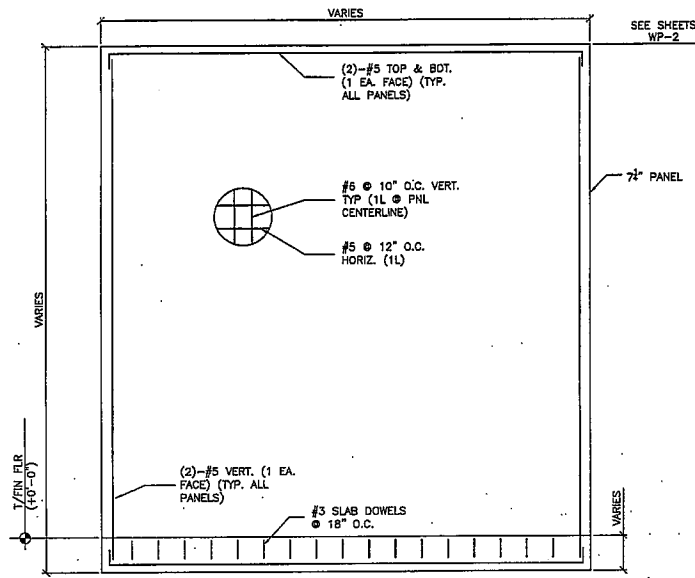


ISSUE DATES
INITIAL 03-15-07

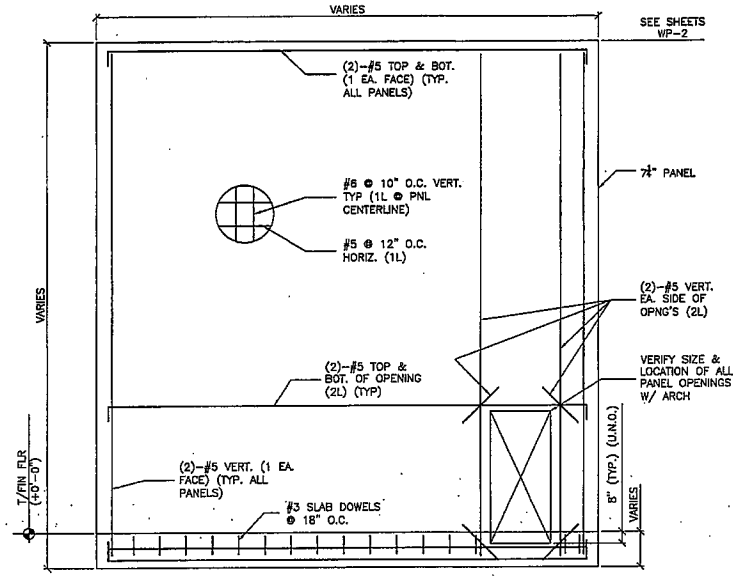
JOB NO. 07-020 | DWN | CKD

STRUCTURAL SHEET NO.

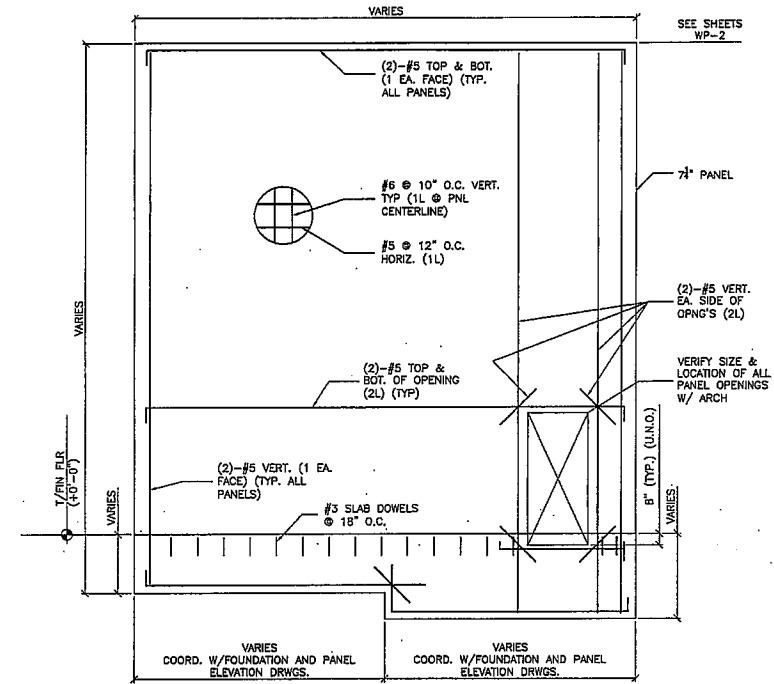
WP-2



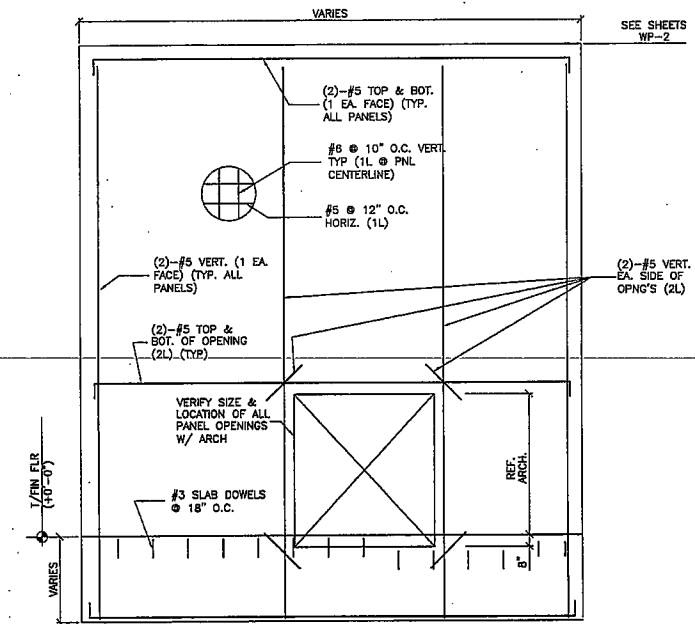
1 PANEL TYPE A
Scale: 1/4" = 1'-0"



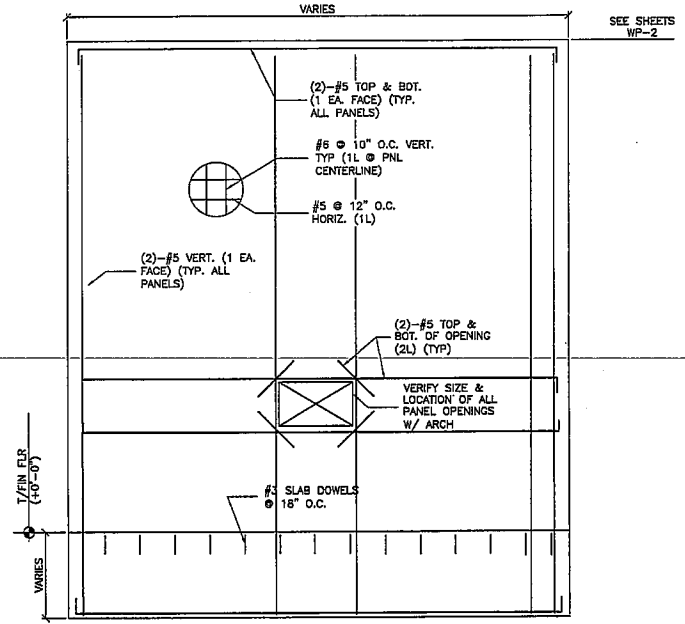
2 PANEL TYPE B
Scale: 1/4" = 1'-0"



3 PANEL TYPE C
Scale: 1/4" = 1'-0"



4 PANEL TYPE D
Scale: 1/4" = 1'-0"



5 PANEL TYPE E
Scale: 1/4" = 1'-0"

R:\BELK\plans CIV FL 391\Sheet SA\Panel Sections and Details 2.dwg - May 22, 2007 - 10:04am

ART RETAIL
ARCHITECTURE
& INTERIORS
ARCHITECTURE
& INTERIORS
1310 COMBAT STREET
DALLAS, TX 75201
473.265.4315

Connett Planning
301 S. HIGGINS STREET, SUITE 104
DALLAS, TEXAS 75201
TEL: (214) 292-2428
FAX: (214) 292-2428

BELK DEPARTMENT STORES

POSNER COMMONS
GRANDVIEW PARKWAY & VICTOR POSNER BOULEVARD
HANESVILLE, FLORIDA
www.hanestextile.com

Belk

PANEL SECTIONS
AND DETAILS

RECEIVED
JUN 05 2007
STEWART PARTNERS

ISSUE DATES
INITIAL 03-15-07

JOB NO. | DWN | CKD
07-020

STRUCTURAL
SHEET NO.

WP-4