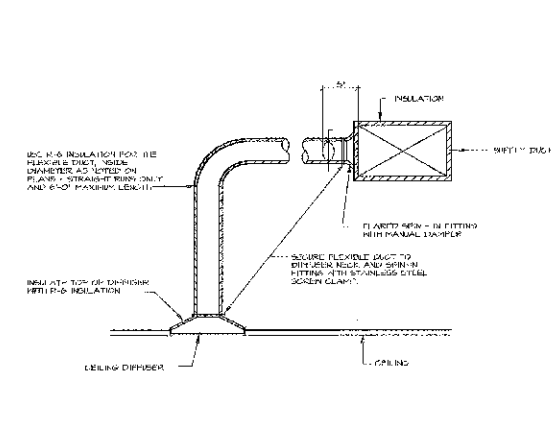
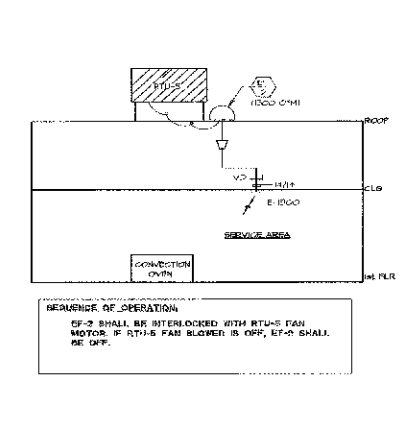


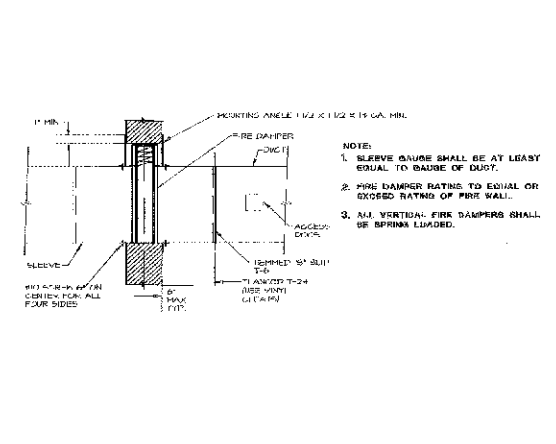
**1 RTU CONDENSATE DRAIN DETAIL**  
SCALE: N.T.S.



**2 CEILING DIFFUSER CONNECTION DETAIL**  
SCALE: N.T.S.

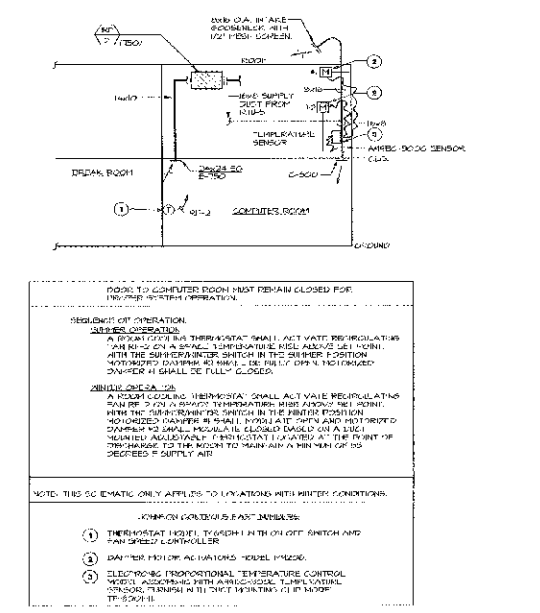


**3 EXHAUST FAN SCHEMATICS**  
SCALE: N.T.S.

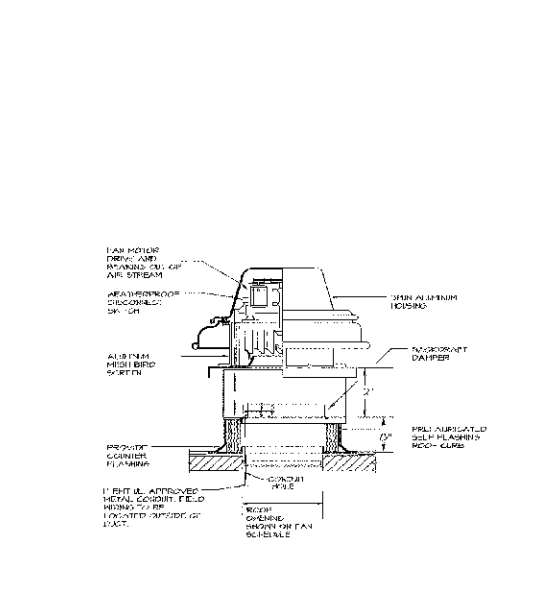


**4 FIRE DAMPER DETAIL IN HORIZ. DUCTWORK**  
SCALE: N.T.S.

TYPE A (METAL) (SCEBA) (SCEBA)			TYPE B (METAL)		
FACE	NECK	D.F.M. RANGE	FACE	NECK	D.F.M. RANGE
24/24	8"	75 - 350	24/24	8" x 8"	75 - 350
24/24	8"	351 - 500	24/24	8" x 8"	351 - 500
24/24	10"	501 - 600	24/24	10" x 10"	501 - 600
24/24	12"	601 - 750	24/24	12" x 12"	601 - 750
24/24	14"	751 - 900	24/24	14" x 14"	751 - 900
24/24	16"	901 - 1100	24/24	16" x 16"	901 - 1100
24/24	18"	1101 - 1300	24/24	18" x 18"	1101 - 1300
24/24	20"	1301 - 1500	24/24	20" x 20"	1301 - 1500
24/24	24"	1501 - 2000	24/24	24" x 24"	1501 - 2000
24/24	30"	2001 - 2500	24/24	30" x 30"	2001 - 2500
24/24	36"	2501 - 3000	24/24	36" x 36"	2501 - 3000
24/24	42"	3001 - 3500	24/24	42" x 42"	3001 - 3500
24/24	48"	3501 - 4000	24/24	48" x 48"	3501 - 4000
24/24	54"	4001 - 4500	24/24	54" x 54"	4001 - 4500
24/24	60"	4501 - 5000	24/24	60" x 60"	4501 - 5000
24/24	66"	5001 - 5500	24/24	66" x 66"	5001 - 5500
24/24	72"	5501 - 6000	24/24	72" x 72"	5501 - 6000
24/24	78"	6001 - 6500	24/24	78" x 78"	6001 - 6500
24/24	84"	6501 - 7000	24/24	84" x 84"	6501 - 7000
24/24	90"	7001 - 7500	24/24	90" x 90"	7001 - 7500
24/24	96"	7501 - 8000	24/24	96" x 96"	7501 - 8000
24/24	102"	8001 - 8500	24/24	102" x 102"	8001 - 8500
24/24	108"	8501 - 9000	24/24	108" x 108"	8501 - 9000
24/24	114"	9001 - 9500	24/24	114" x 114"	9001 - 9500
24/24	120"	9501 - 10000	24/24	120" x 120"	9501 - 10000



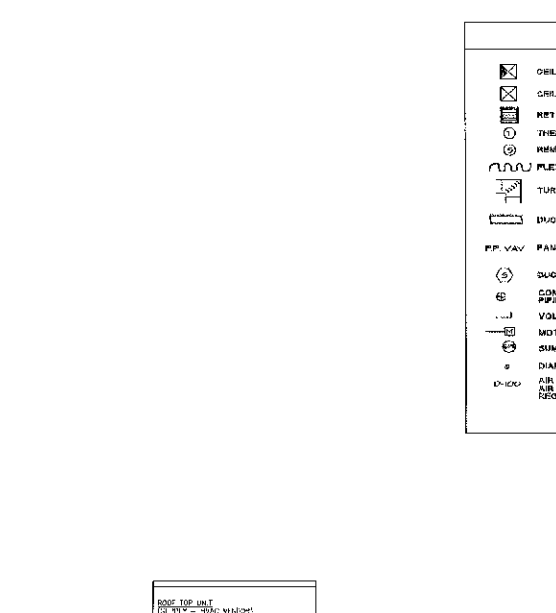
**5 COMPUTER ROOM WINTER / SUMMER HVAC SCHEMATIC**  
SCALE: N.T.S.



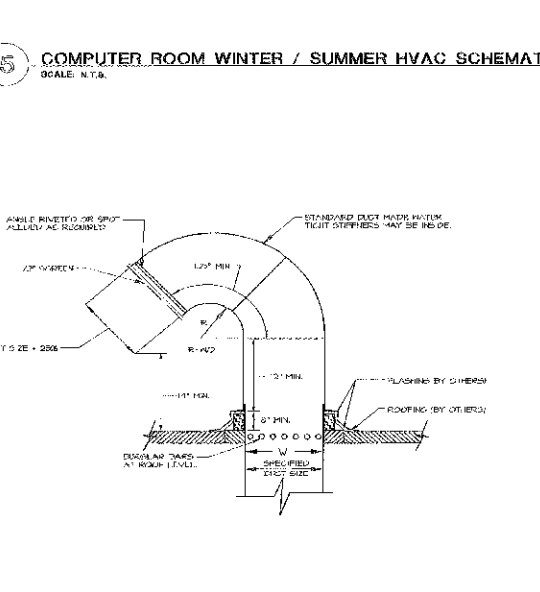
**6 ROOF EXHAUST FAN DETAIL W/ DAMPER**  
SCALE: N.T.S.



**7 CONTROL WIRING SCHEMATIC**  
SCALE: N.T.S.



**8 CONTROL WIRING SCHEMATIC**  
SCALE: N.T.S.



**9 GOOSENECK DETAIL**  
SCALE: N.T.S.

	MECHANICAL CONTRACTOR
	PLUMBING CONTRACTOR
	ELECTRICAL CONTRACTOR
	LANDLORD
	ROOFTOP UNIT
	SUPPLY AIR
	RETURN AIR
	OUTDOOR AIR
	FIRE DAMPER
	ADDRESS BOOK
	RECIRCULATION FAN
	SPUTTER DAMPER
	FLEXIBLE CONNECTION
	EXHAUST FAN
	ELECTRIC WALL HEATER
	ELECTRIC BASEBOARD
	600 PIPED UNIT HEATER
	ABOVE FINISH FLOOR
	BOTTOM OF DUCT
	TOP OF DUCT
	BACK DRAFT DAMPER
	ELECTRIC UNIT HEATER

**HBC**

ARCHITECT  
HOWELL BERGLANGER CASSELL ARCHITECTS, P.C.  
122 West 97th Street, 4th Floor  
New York, New York 10001  
212-647-0011  
FAX: 647-1022

M.E.P. ENGINEERING CONSULTANT  
M. METAL ENGINEERING, INC.  
760 Brookside - 3rd Floor, Suite 100  
Westerville, Ohio 43081  
614-818-2020  
FAX: 818-2027

Barnes & Noble Bookstore  
The Market Common  
Myrtle Beach, South Carolina  
Project Number: 04058  
Sheet Number: 2287

HVAC DETAILS  
AND SCHEDULES

Submission Date  
PERMIT 27 JULY 07

Drawing No. H-3

Scale/Signature  
Engineer  
Certification No. 002284  
Myrtle Beach, SC Store No. 2289