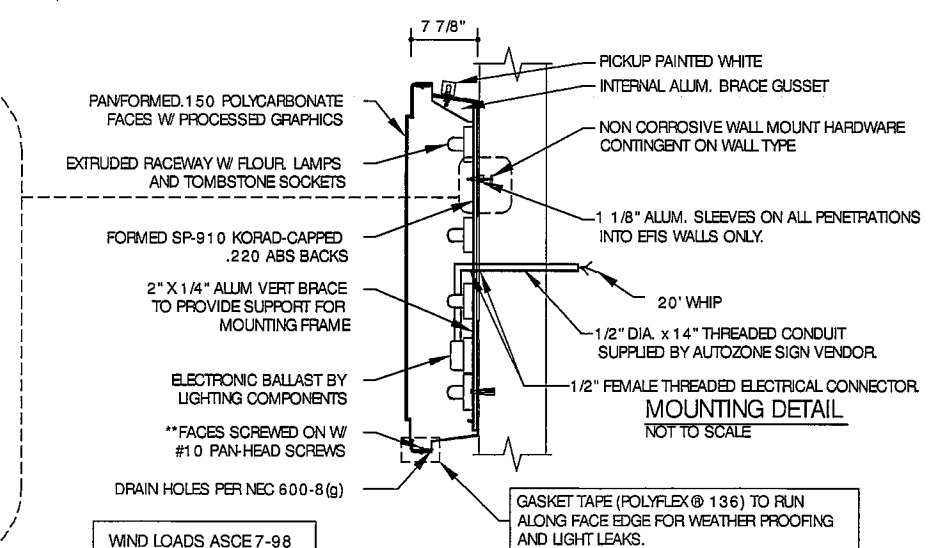
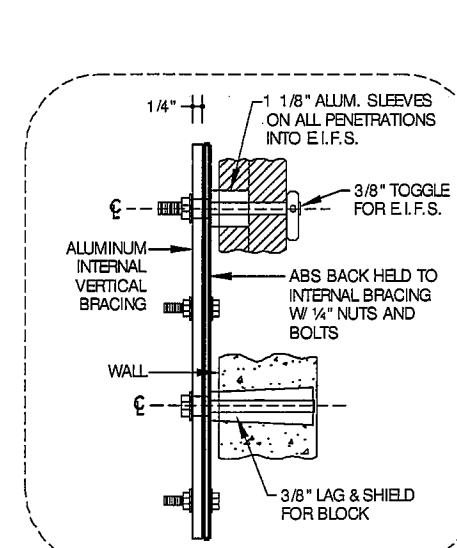
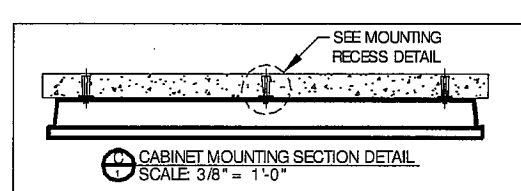
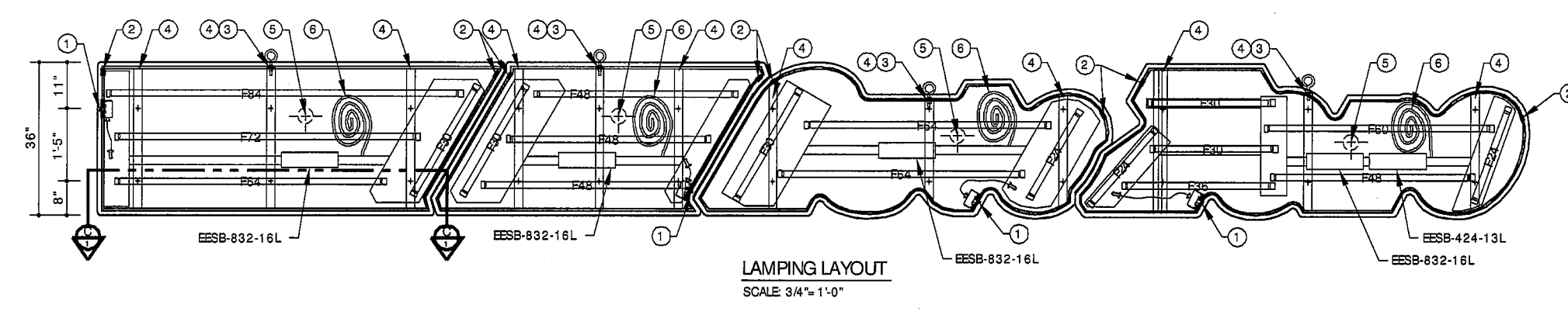
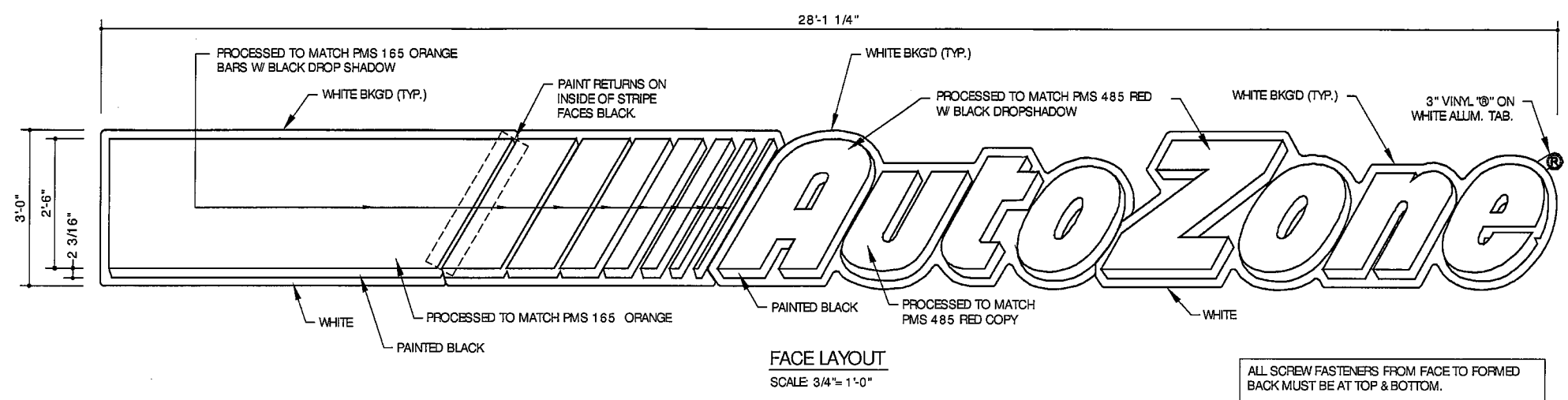


DESIGN LEADER: CS TEAM LEADER: CS DRAWN BY: HJS CHECKED BY: LH © COPYRIGHT 1997

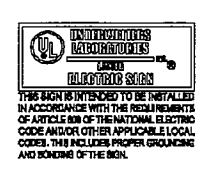


SQUARE FOOTAGES:
TOTAL: 84.31 SQ. FT. W/SQUARE BOX
TOTAL: 79.3512 SQ. FT. W/SECTION BOX

- KEY NOTES:**
- VISIBLE DISCONNECT SWITCH EXACT LOCATION CONTINGENT UPON UL REQUIREMENTS.
 - 1" ALUM. VENT TYP.
 - 3/8" EYE BOLT PICKUP, TYP.
 - MOUNTING RECESS, SEE DETAIL. ALUMINUM INTERNAL VERTICAL BRACING.
 - APPROXIMATE LOCATION OF HOLE TO BE DRILLED THROUGH WALL FOR ELECTRICAL CONNECTION. EXACT LOCATION OF HOLE TO BE DETERMINED ON-SITE BY SIGN INSTALLER.
 - 20' WHIP

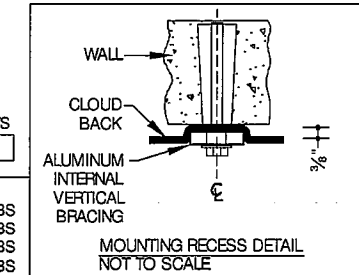
WINDLOADS	BOLT QTY. PER SECTION	BOLT SIZE SPECS.
100 MPH	4	3/8" x 2 1/2" (MIN.) LAG BOLTS*
130 MPH	6	3/8" x 2 1/2" (MIN.) LAG BOLTS*
150 MPH	6	3/8" x 2 1/2" (MIN.) LAG BOLTS*

*NOTE: FOR CONCRETE BLOCK APPLICATIONS, USE NON-CORROSIVE EXPANDING SHIELDS. MIN. 2" EMBEDDED INTO STRUCTURAL BLOCKING PER SECTION.



ELECTRONIC BALLASTS
7.9 AMPS TOTAL

UNIT WEIGHTS:
8TH STRIPE — 1.00 LBS
7-1 STRIPE — 1.00 LBS
'AUTO' — 1.00 LBS
'ZONE' — 1.00 LBS



COLORS:
CLOUD BACKS.....WHITE
FACE BACKGROUND.....WHITE
AUTOZONE.....PROCESSED TO MATCH PMS 485 RED
STRIPES.....PROCESSED TO MATCH PMS 165 ORANGE
DROP SHADOW.....PAINTED BLACK
'B'.....MATCH PMS 485 RED
SEE FACE DETAIL FOR CLARIFICATION

POLYFLEX® 136 SINGLE COATED POLYETHYLENE TAPE

TECHNICAL PROPERTIES:
TOTAL THICKNESS (NOT INCLUDING LINER) 9.0 mils (.229mm)
ADHESIVE THICKNESS SYNTHETIC RUBBER 3.5 mils (.089mm)

ADHESIVE TEST DATA:
PEEL ADHESION (PSTC 1 MOD.) OZ./INCH (N/25mm)
INITIAL TO S.S. (20 MIN @ RT) 70 19

BACKING ADHESION (PSTC 1 MOD.):
INITIAL TO BACKING SUBSTRATE 35 9.6

TENSILE STRENGTH (ASTM D-1000) LBS./INCH (N/25mm)
22 96

ELONGATION (ASTM D-1000) 100 %

- "AUTO" CABINET (198 WATTS)**
(2) F84T12 D/HO FLUORESCENT LAMPS
(1) F30T12 D/HO FLUORESCENT LAMP
(1) F24T12 D/HO FLUORESCENT LAMP
(4) PAIR -TOMBSTONE SOCKETS
10' FT. OF 1" X 4" EXT. ALUM RACEWAY
(1) EESB-832-16L - 1.7 AMPS
- "ZONE" CABINET (332 WATTS)**
(1) F60T12 D/HO FLUORESCENT LAMP
(1) F48T12 D/HO FLUORESCENT LAMP
(1) F36T12 D/HO FLUORESCENT LAMP
(2) F30T12 D/HO FLUORESCENT LAMPS
(2) F24T12 D/HO FLUORESCENT LAMPS
(7) PAIR -TOMBSTONE SOCKETS
15' FT. OF 1" X 4" EXT. ALUM RACEWAY
(1) EESB-832-16L - 1.7 AMPS
(1) EESB-424-13L - 1.1 AMPS
- 1-7 BAR CABINET (198 WATTS)**
(3) F48T12 D/HO FLUORESCENT LAMPS
(1) F30T12 D/HO FLUORESCENT LAMP
(4) PAIR -TOMBSTONE SOCKETS
12' FT. OF 1" X 4" EXT. ALUM RACEWAY
(1) EESB-832-16L - 1.7 AMPS EA.
- 8TH BAR CABINET (198 WATTS)**
(1) F60T12 D/HO FLUORESCENT LAMP
(1) F72T12 D/HO FLUORESCENT LAMP
(1) F64T12 D/HO FLUORESCENT LAMP
(1) F30T12 D/HO FLUORESCENT LAMP
(4) PAIR -TOMBSTONE SOCKETS
15' FT. OF 1" X 4" EXT. ALUM RACEWAY
(1) EESB-832-16L - 1.7 AMPS EA.

AutoZone, Inc.
123 South Front Street
Memphis, Tennessee 38103
TEL: (901) 495-8890 FAX: (901) 495-8424

AutoZone STORE DEVELOPMENT
Store No. 3888
HWY 321 & PEARL DR
LENOIR TN 37771

Prepared For: **36" CLOUD SIGN WITH STRIPES ON LEFT**

REVISIONS

1.			
2.			
3.			
4.			

SCALE: 3/4" = 1'-0"

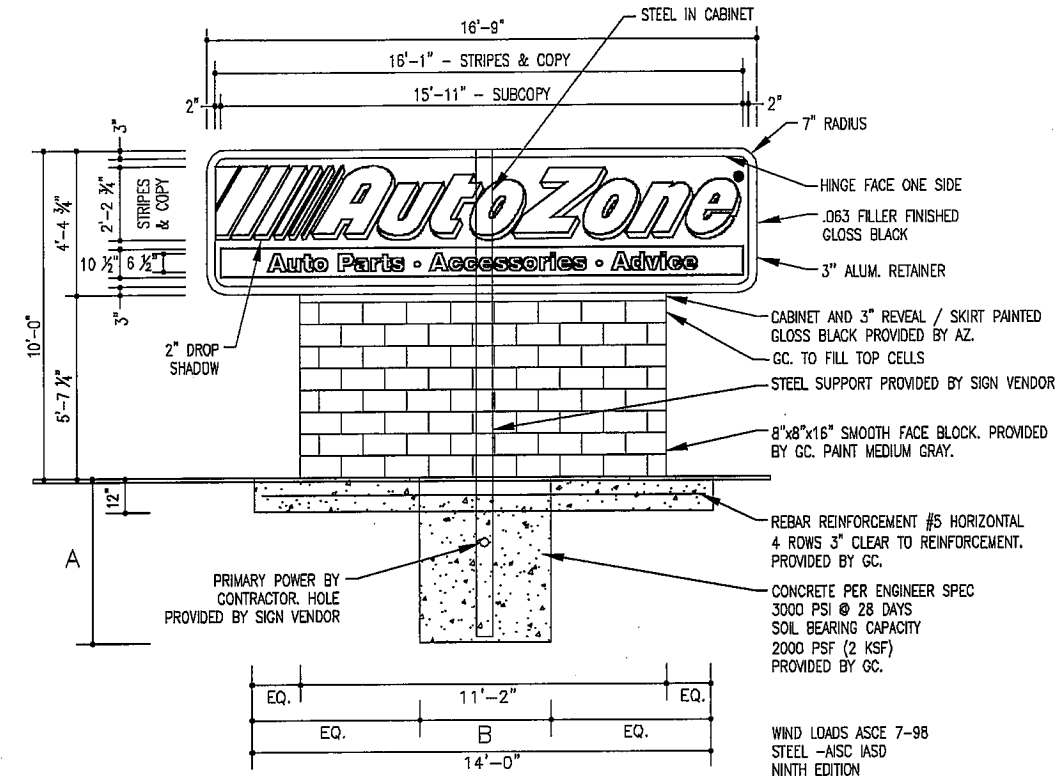
DATE: **03-25-07**

PROTOTYPE SIZE: **65W2-RIGHT**

SN-1

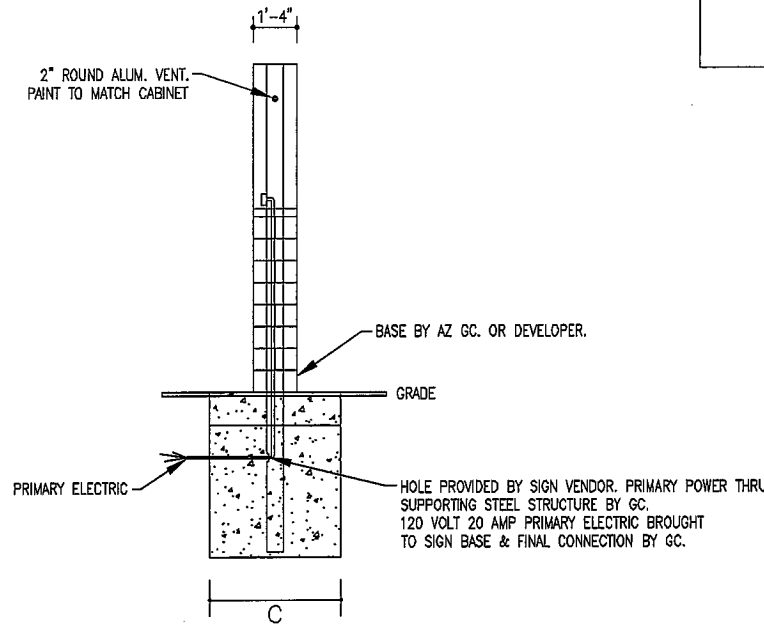
To order plans, go to www.ldirepro.com

417M-10 MONUMENT SIGN
INTERNALLY ILLUMINATED



FRONT ELEVATION
SCALE: 3/8"=1'-0"

IF SITE CONDITIONS ARE NOT CONDUSIVE TO USE BLOCK FOUNDATION, PLEASE CONTACT OFI VENDOR OR OFI VENDOR LIST FOR ALTERNATIVES.



SIDE ELEVATION
SCALE: 3/8"=1'-0"

GENERAL SPECIFICATIONS:

D/F ILLUMINATED MONUMENT SIGN:

CABINET: FABRICATED OF EXTRUDED ALUMINUM W/ ALUMINUM COMPONENTS.

FACES: ARLON/SIGNTECH HEAT TRANSFERRED FLEX FACE WITH FX CLEARCOAT PROTECTION COATING AND 12" CLIPS FOR TENSIONING.

ILLUMINATION: H.O. FLUORESCENT LIGHTING POWERED BY ELECTRONIC BALLAST.

ELECTRIC: 120 VOLT 20 AMP PRIMARY ELECT. CKTS BROUGHT TO SIGN & FINAL HOOK UP BY AZ GC. OR DEVELOPER

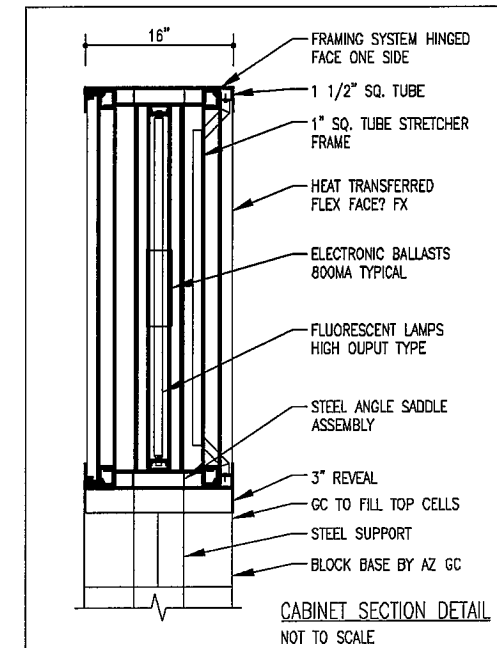
SUPPORT: STEEL PIPE & CONCRETE FOUNDATION PER ENGINEERS SPEC.

- COLORS: CABINET-----GLOSS BLACK
SIGN FACE-----WHITE
"AUTOZONE"-----RED (ARLON #PX2662) (PMS #485)
"STRIPING"-----ORANGE (ARLON #PX2119) (PMS #165)
DROP SHADOW-----BLACK (ARLON #PX2025)
●-----RED (ARLON #PX2662) (PMS #485)
SUBCOPY-----WHITE WITH BLACK BACKGROUND (Font - Helvetica Neue Black)

AUTHORITY: SEE N. E. C. ARTICLE 600. ALL PRIMARY CONNECTIONS ARE TO BE MADE BY LICENSED ELECTRICAL CONTRACTORS.

PRIMARY ELECTRICAL ALL PRIMARY ELECTRICAL CONNECTIONS ARE TO MEET OR EXCEED N.E.C. U.L. 48 OR LOCAL ENFORCING

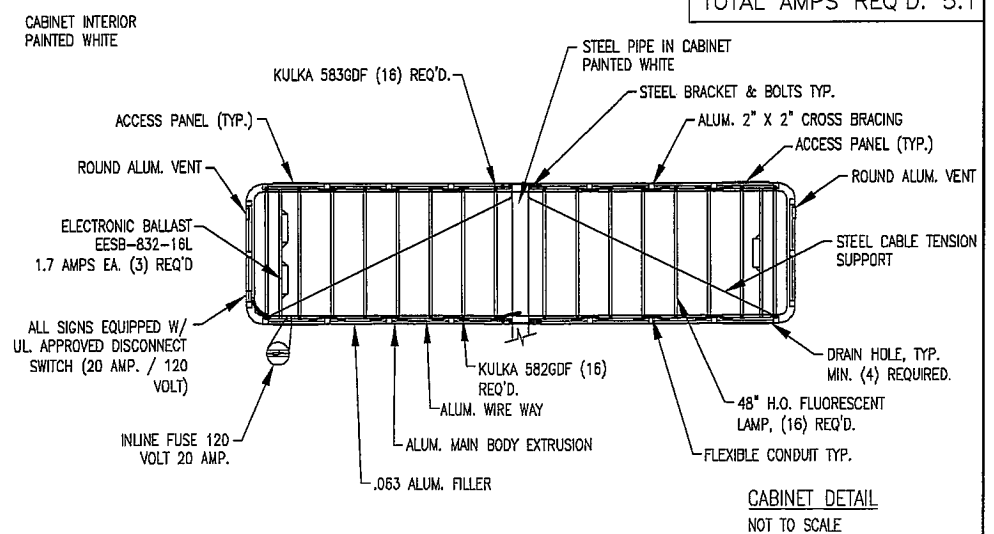
PRIMARY WIRING SHALL BE (3) #12 THW/THWN (BY OTHERS). GROUNDING PER. NEC ARTICLE 250 (BY OTHERS).



TOTAL AMPS REQ'D. 5.1

WIND LOADS	STEEL IN CABINET	STEEL SUPPORT	FOUNDATIONS		
			A-DEPTH	B-FRONT	C-SIDE
EXPOSURE B-100 MPH	6" DIA. X .280 WALL	6" DIA. X .280 WALL	3'-0"	3'-0"	3'-0"
CONCRETE APPROX. 1.00 CU. YD.					

BLOCK STYLE FOUNDATION
ENGINEERING SPECIFICATIONS
BASED ON 100 MPH WIND LOAD



THIS SIGN IS INTENDED TO BE INSTALLED IN ACCORDANCE WITH THE REQUIREMENTS OF ARTICLE 600 OF THE NATIONAL ELECTRICAL CODE AND/OR OTHER APPLICABLE LOCAL CODES. THIS INCLUDES PROPER GROUNDING AND BONDING OF THE SIGN.

AutoZone, Inc.
123 South Front Street
Memphis, Tennessee 38103
TEL: (901) 495-6500 FAX: (901) 495-8424

Prepared For: AutoZone STORE DEVELOPMENT
Store No. 3888
Hwy 321 & Pearl Dr
Lenoir City
TN 37771
417M-10 MONUMENT SIGN

REVISIONS

1.	
2.	
3.	
4.	

SCALE: 3/8" = 1'-0"

DATE
03-25-07
PROTOTYPE SIZE
65W2-RIGHT

SN-2